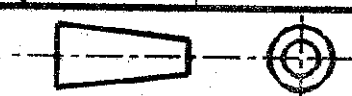
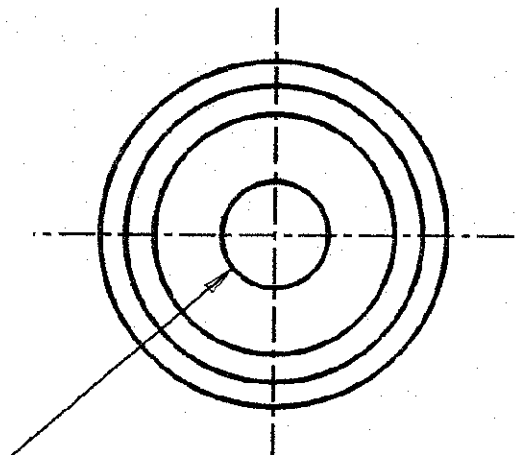


DO NOT SCALE

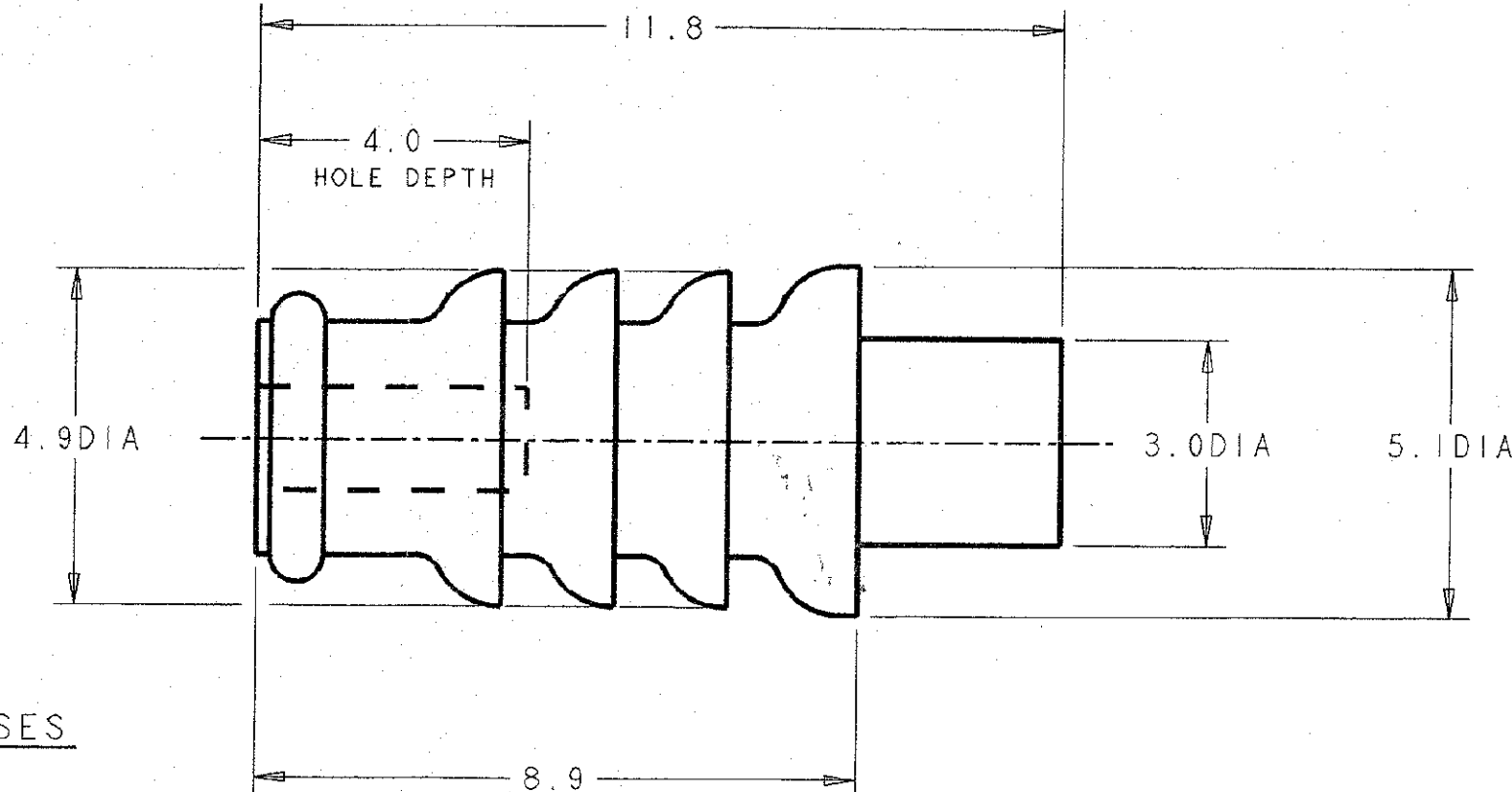
DIMENSIONS IN MM.



AMP



HOLE: 1.5 DIA FOR TOOLING PURPOSES
(Optional hole for tooling purposes)



THIS PLUG IS SUITABLE FOR BLANKING OFF UNUSED CAVITIES IN ECONOSEAL 3 LOW CURRENT CONNECTORS.

| | | | | | |
|------------------------------------|--|--|---|--|--|
| GREY | | SELF-LUBRICATING SILICONE RUBBER | | 348461-1 | |
| FINISH | | MATERIAL | | PART NUMBER | |
| CUSTOMER DWG FOR REFERENCE ONLY | | | © COPYRIGHT 1993 BY AMP OF GREAT BRITAIN LTD. ALL INTERNATIONAL RIGHTS RESERVED. ALL PRODUCTS MAY BE COVERED BY BRITISH AND FOREIGN PATENTS AND/OR PATENTS PENDING. | | |
| | | TOLERANCES UNLESS OTHERWISE STATED : | | DR. R.J.S. 22.9.93 | |
| | | DEC ± 0.5 | | CH. K.W. APP. J.P. | |
| | | ANGLES ± 1° | | | |
| A1 | | NOTE ADDED ECR-14-002006 12FEB2014 | | | |
| A | | RELEASED EB00-0091-01 12.03.91 | | NAME CAVITY REAR PLUG ECONOSEAL 3 LOW CURRENT | |
| 2 | | TOOLING HOLE ADDED EB00-0149-96 28.03.96 | | SCALE 10/1 | |
| 1 | | PRELIM. ISSUE EB00- -93 22.09.93 | | LOC E | |
| REV | | MODIFICATION CHANGE No. DATE | | SIZE A 3 | |
| | | | | DWG.No. C348461 | |
| | | | | REV A1 | |
| | | | | SHEET 1 / 1 | |

C.A.D. FILE CODE 348461