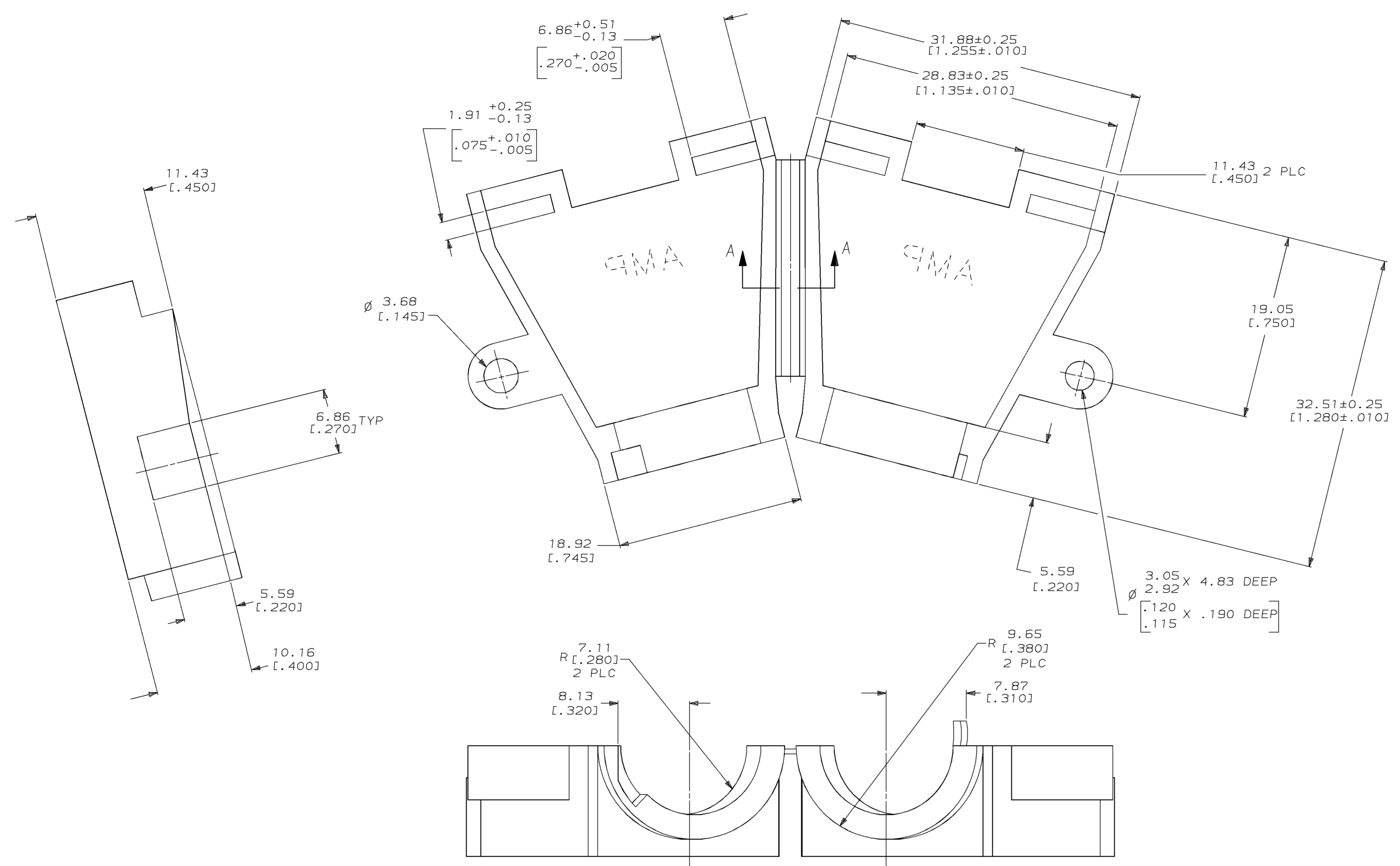
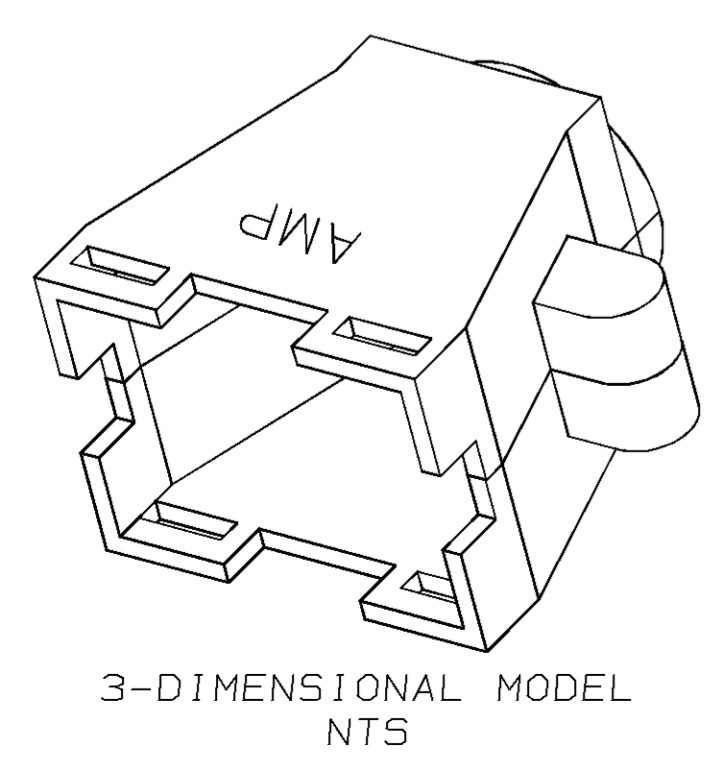
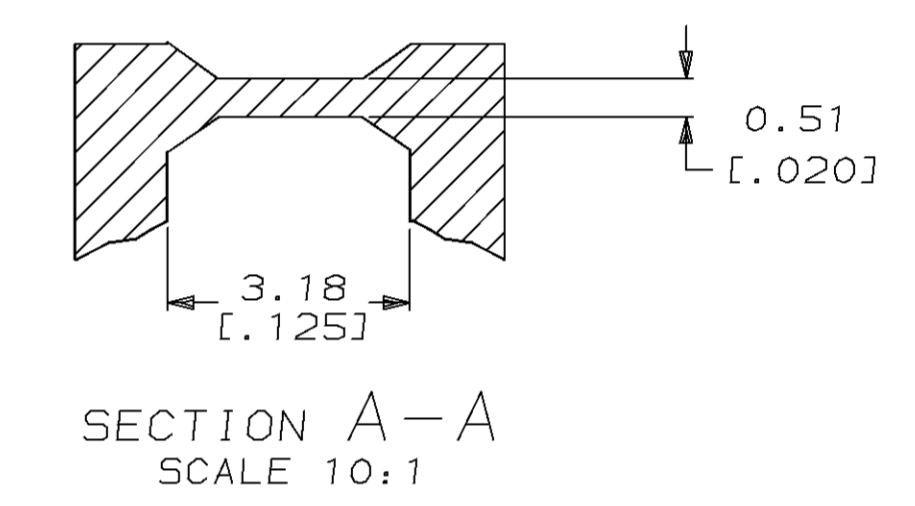


LOC		DIST		P		F		ZONE		LTR		REVISIONS			
CM	52											DESCRIPTION	DATE	APPD	
												H	REV & REDWN PER EC 0730-0072-94	9-17-93	KS



1. REQUIRES A #6 PAN HEAD TYPE "B" SELF TAPPING PAN HEAD SCREW, 9.53 [0.375] LONG.
2. DIMENSIONS IN BRACKETS ARE IN INCHES.



BLACK	1-350524-9
BRICK RED	350524-1
COLOR	PART NO

DO NOT SCALE PRINT. UNLESS SPECIFIED DIMENSIONS IN mm [INCHES] TOLERANCES: ON: 2 PLC DEC ± 0.13[0.005] 3 PLC DEC ± - ANGLES ± -	DR 9-17-93 K. SALMON	AMP Incorporated Harrisburg, PA 17105-3608
	CHK 9-17-93 R. SWING	
MATERIAL NYLON	APPD - W. LONG	NAME STRAIN RELIEF, HINGED, 24 POSITION
FINISH COLOR, SEE TABLE	APPD - W. LONG	PRODUCT SPEC -
	APPLICATION SPEC -	SIZE D
	WEIGHT -	CAGE CODE 00779
		DRAWING NO ©=350524
		SCALE 4:1
		SHEET 1 OF 1



THIS DRAWING IS A CONTROLLED DOCUMENT FOR AMP INCORPORATED. IT IS SUBJECT TO CHANGE AND THE CONTROLLING ENGINEERING ORGANIZATION SHOULD BE CONTACTED FOR THE LATEST REVISION.