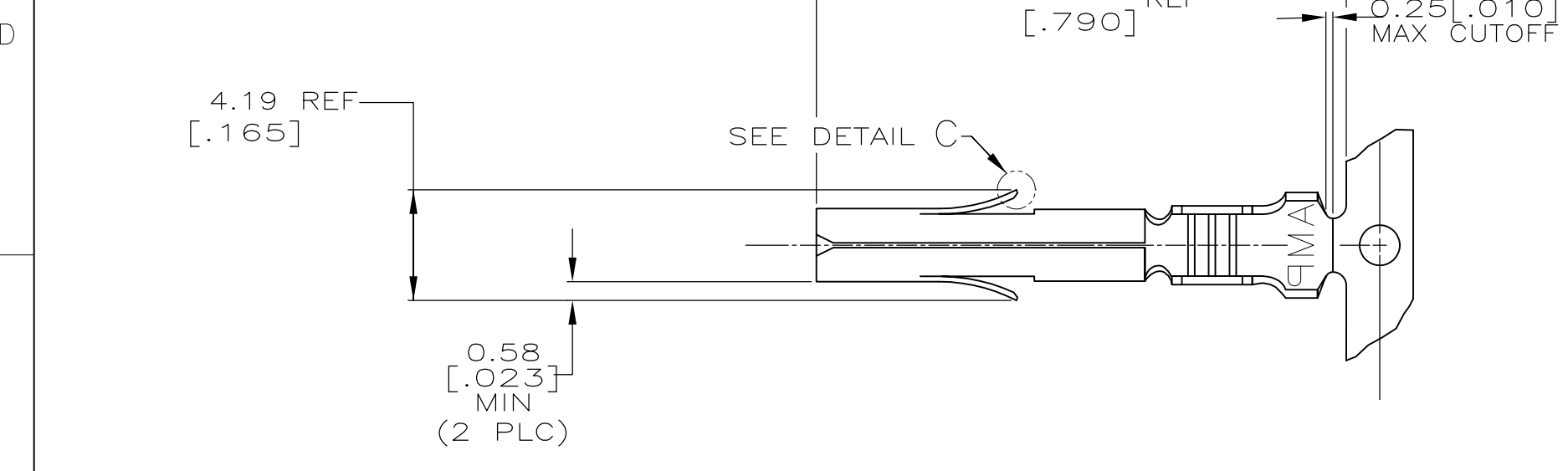
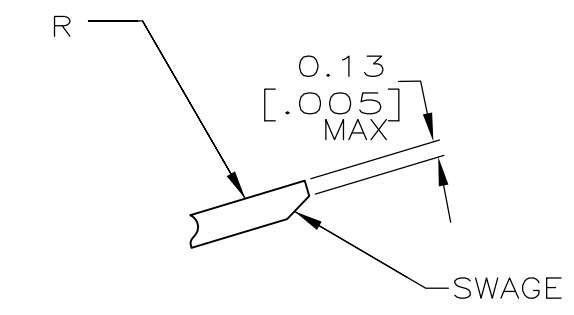
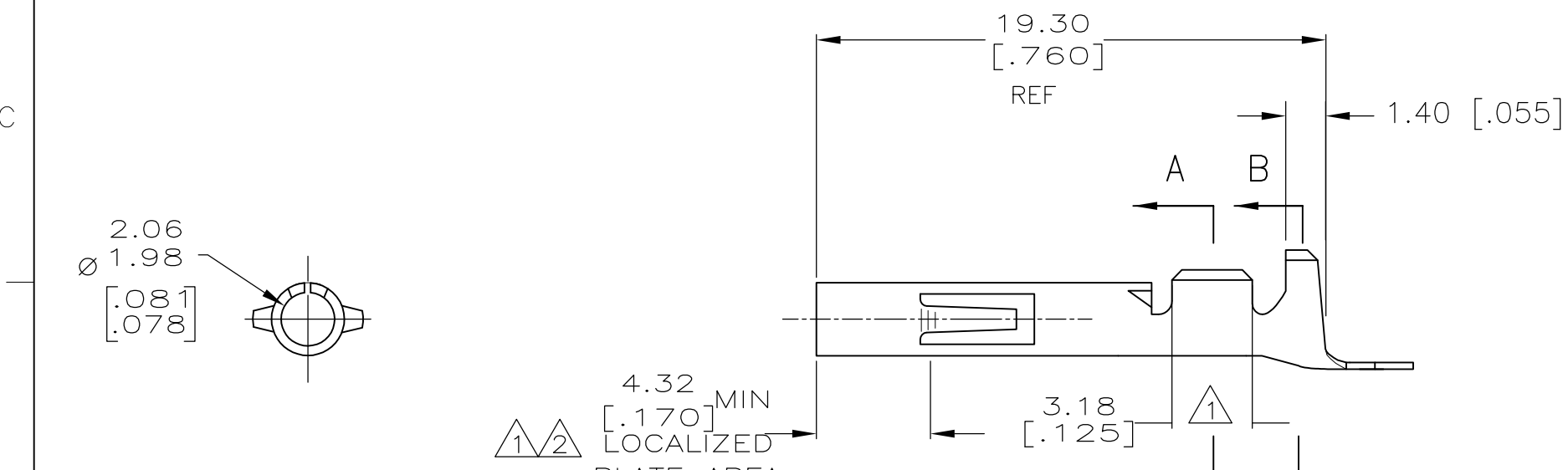


THIS DRAWING IS UNPUBLISHED. RELEASED FOR PUBLICATION
 © COPYRIGHT - By - ALL RIGHTS RESERVED.

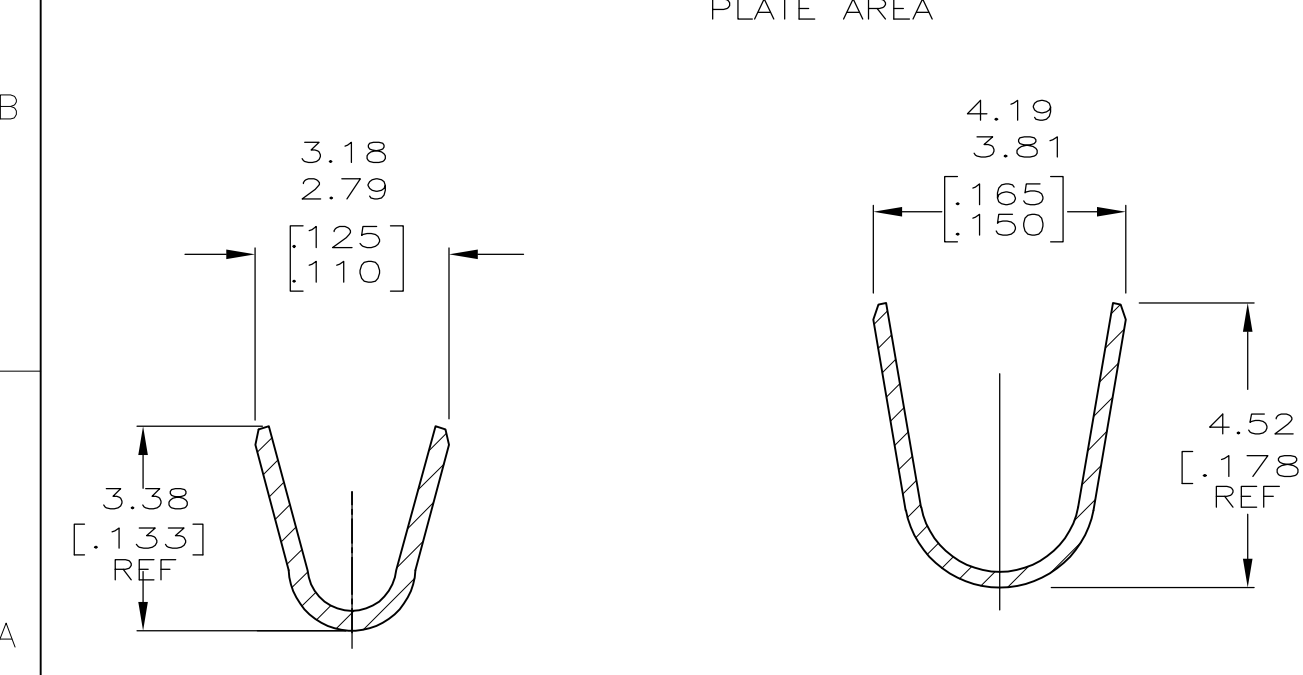
REVISIONS				
P	LTR	DESCRIPTION	DATE	APVD
	AD3	REVISED PER ECR-17-018066	15DEC2017	BDA KR



- 1 0.00076[.000030] THK GOLD OVER NICKEL ON INSIDE OF RECEPTACLE AND WIRE BARREL; REMAINDER OF CONTACT IS NICKEL PLATED.
- 2 0.00076[.000030] THK GOLD ON INSIDE OF RECEPTACLE; REMAINDER OF CONTACT IS NICKEL PLATED.
- 3 DIMENSIONS IN BRACKETS ARE IN INCHES.
- 4 PRELIMINARY, NOT FOR PRODUCTION.
- 5 OBSOLETE PARTS: OBSOLETE CIS STREAMLINING PER D.RENAUD/D.SINISIA
- 6 WIRE RANGE: 14-20AWG, 2.08-0.52mm². INSULATION RANGE: Ø1.52-3.30 [Ø.060-.130].



DETAIL C
SCALE 20:1



SECTION A-A
SCALE 10:1

SECTION B-B
SCALE 10:1

APPLICATOR TYPE	FINISH	MATERIAL	PART NUMBER
-	MINI	GOLD $\Delta 2$	0.30 [.012] COPPER ALLOY 1-350536-2 $\Delta 4$
-	-	TIN	0.30 [.012] BE CU 1-350536-0 $\Delta 4$
$\Delta 5$ OBSOLETE	STANDARD	TIN	0.30 [.012] PH BZ -350536-9-
-	MINI	GOLD $\Delta 2$	0.30 [.012] BRASS 350536-7
-	MINI	GOLD $\Delta 2$	0.30 [.012] PH BZ 350536-6
-	MINI	TIN	0.30 [.012] PH BZ 350536-3
-	MINI	GOLD $\Delta 1$	0.30 [.012] BRASS 350536-2
-	MINI	TIN	0.30 [.012] BRASS 350536-1

THIS DRAWING IS A CONTROLLED DOCUMENT.

DIMENSIONS: mm [INCHES]	TOLERANCES UNLESS OTHERWISE SPECIFIED:
	± -
	± -
	± 0.13 [.005]
	± -
	± -
	± -
MATERIAL	FINISH
-	-

DWN K. WHITAKER	07NOV2003
CHK S. RIDGILL	07-NOV-03
APVD S. RIDGILL	07-NOV-03
PRODUCT SPEC	108-1031
APPLICATION SPEC	114-1010
WEIGHT	
CUSTOMER DRAWING	

STE TE Connectivity

SOCKET,
UNIVERSAL MATE-N-LOK™

SIZE	CAGE CODE	DRAWING NO	RESTRICTED TO
A3	00779	C-350536	-

SCALE 4:1 SHEET 1 OF 1 REV AD3