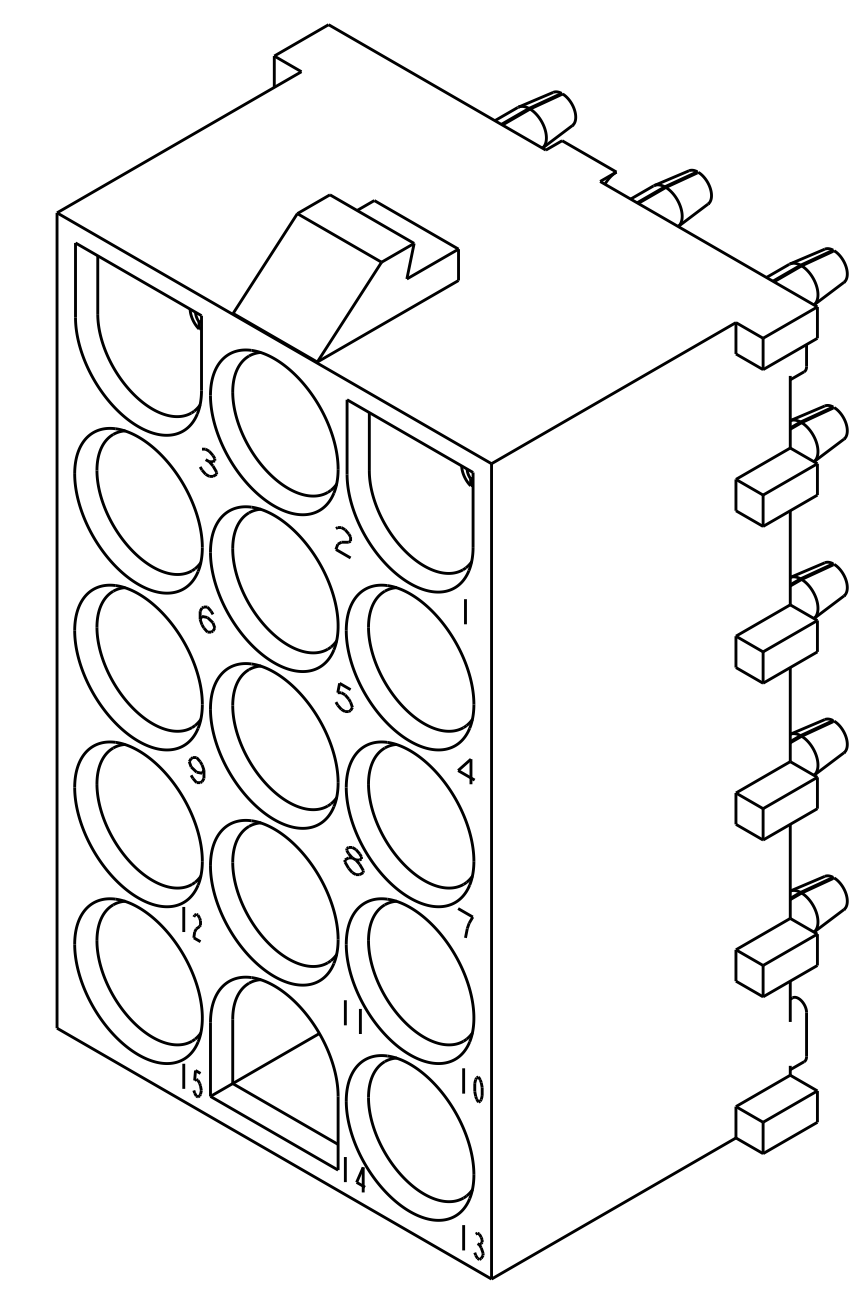
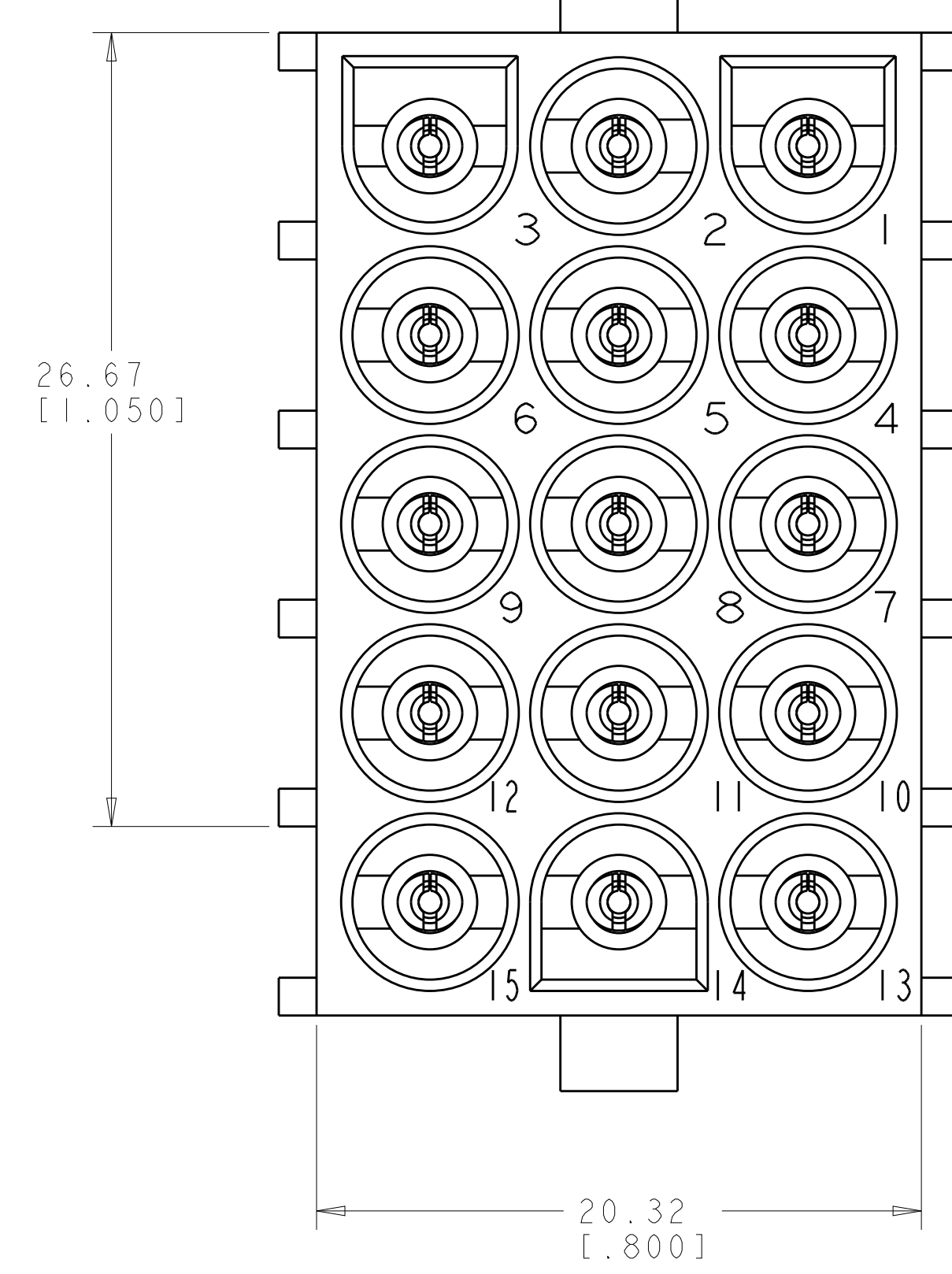
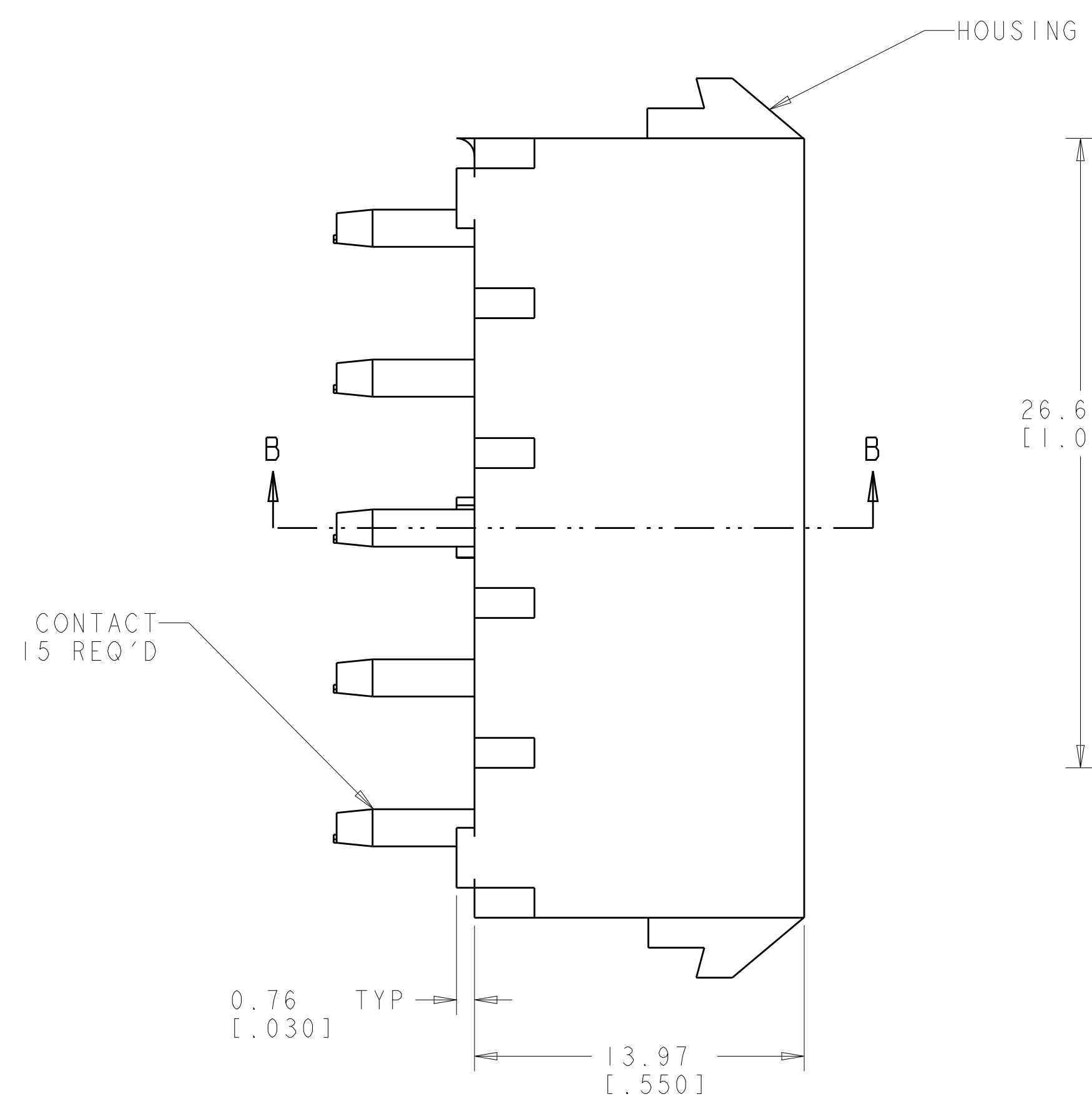
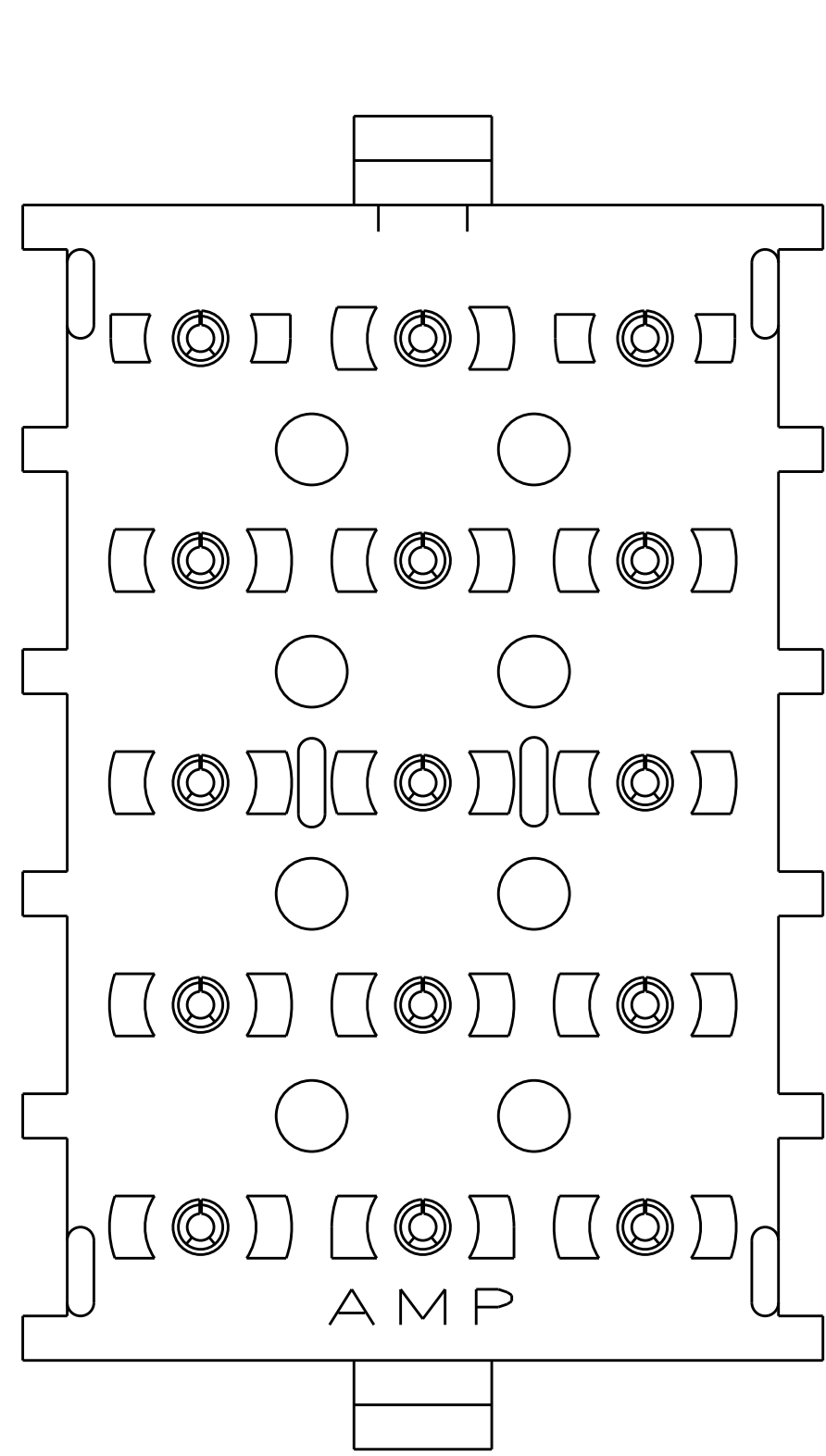
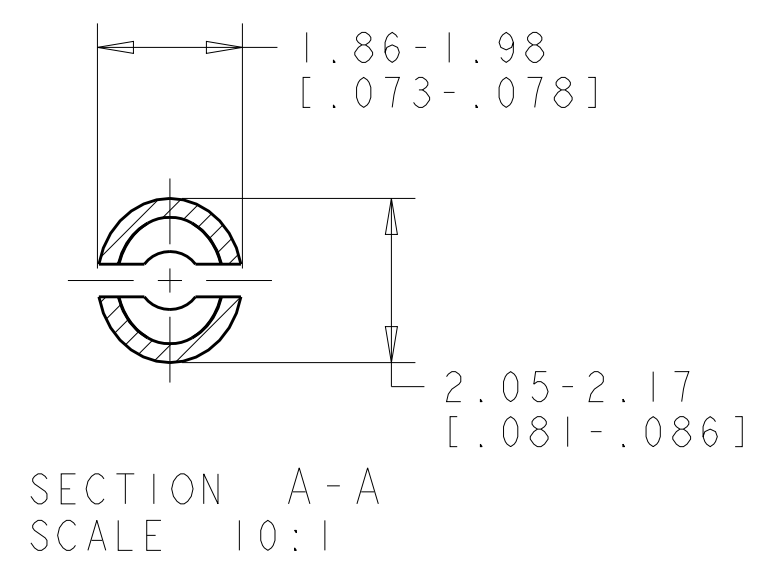
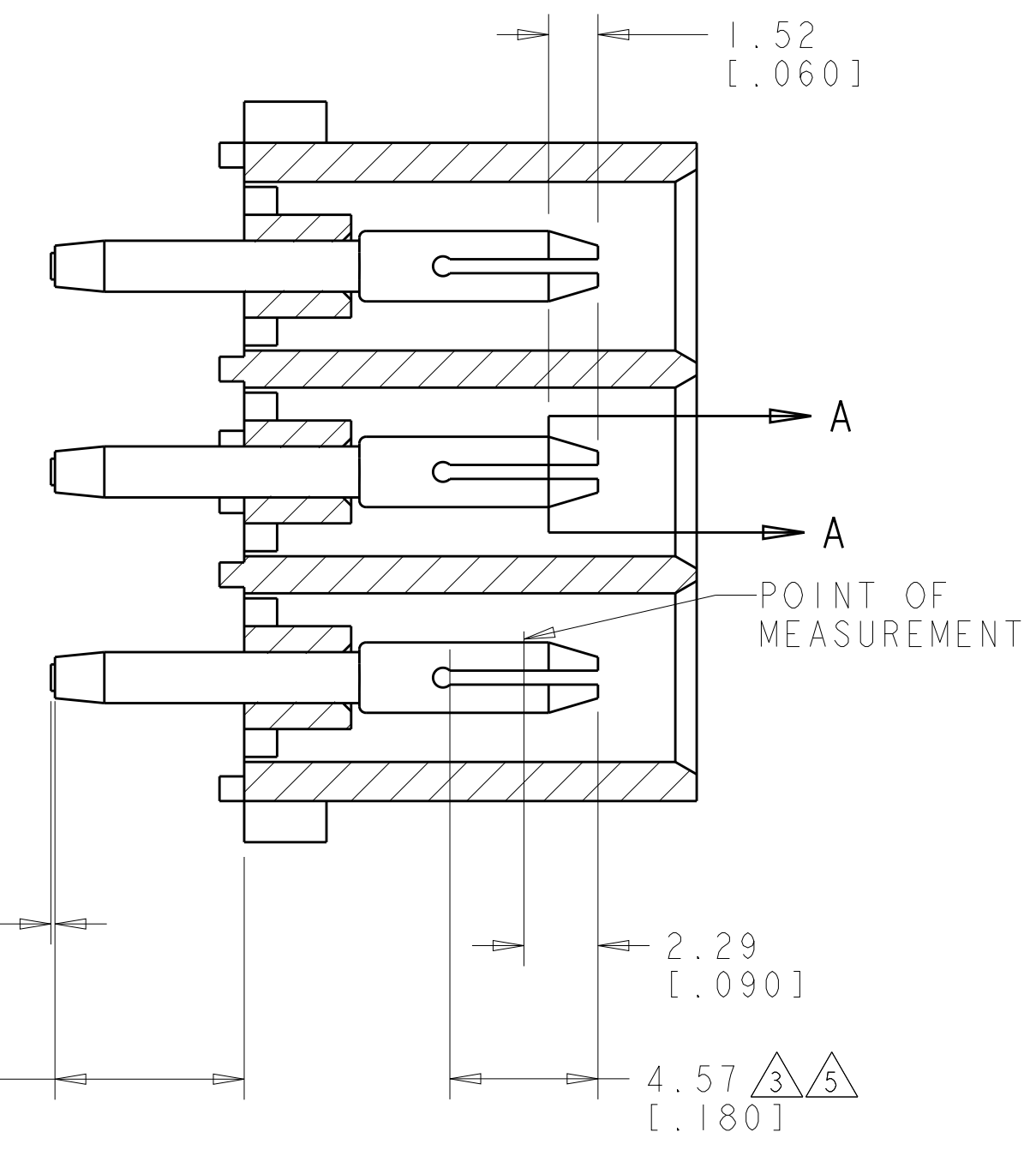
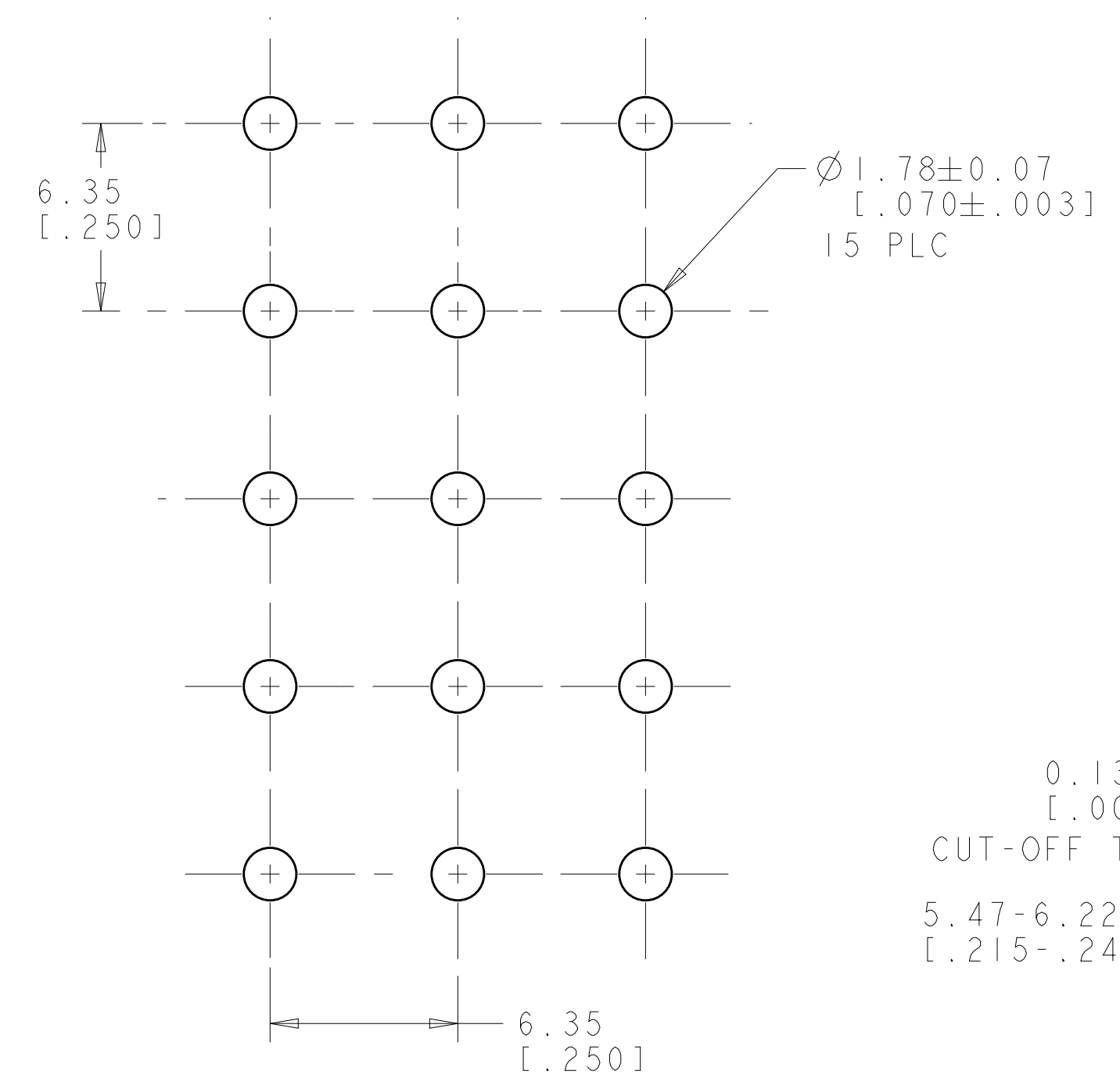


| LOC | DIST | REV | DATE | BY | APPV |
|-----|------|-----|-----------|----|------|
| CM | 00 | M2 | 24JAN2013 | KH | TM |

- MATES WITH HOUSING 350736.
- PARTS COMPLY TO AMP SOLDERABILITY SPECIFICATION 109-11-3.
- CONTACT IS PLATED OVERALL WITH 0.00127 [0.00050] NICKEL, THEN 0.00076 [0.00030] GOLD OVER CONTACT LENGTH INDICATED AND TIN LEAD ON SOLDER TAIL END.
- CIRCUIT IDENTIFICATION CHARACTERS ARE ADJACENT TO THE INDICATED CAVITIES, BUT LOCATION AND ORIENTATION MAY DIFFER FROM PRINT.
- CONTACT IS PLATED OVERALL WITH 0.00127 [0.00050] NICKEL, THEN 0.00076 [0.00030] GOLD OVER CONTACT LENGTH INDICATED AND MATTE TIN ON SOLDER TAIL END.
- DIMENSIONS IN BRACKETS ARE IN INCHES.
- SUPERSEDED BY 350738-4



3 DIMENSIONAL MODEL
SCALE 4:1

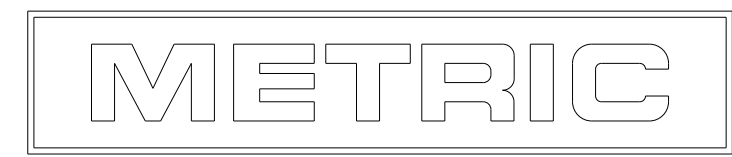


SECTION A-A
SCALE 10:1

| PIN CONTACT MATERIAL AND FINISH | HOUSING MATERIAL AND COLOR | PART NUMBER |
|---------------------------------|----------------------------|-------------|
| PHOSPOR BRONZE, GOLD | NYLON, UL94V-0, NATURAL | 350738-4 |
| PHOSPOR BRONZE, GOLD | NYLON, UL94V-0, NATURAL | 350738-2 |
| PHOSPOR BRONZE, PRE-TIN | NYLON, UL94V-0, NATURAL | 350738-1 |

RECOMMENDED MOUNTING HOLE PATTERN FOR 1.57 [0.062] THICK P.C. BOARD HOLE THAT CORRESPONDS TO REMOVED CONTACT CAN BE OMITTED

SECTION B-B



| | | | | |
|---|---|---|---|-------------------|
| THIS DRAWING IS A CONTROLLED DOCUMENT. | | DWG: K. WHITAKER 05OCT2005 CHK: S. RIDGILL 05OCT2005 APVD: S. RIDGILL 05OCT2005 | NAME: PIN HEADER ASSEMBLY, 15 CIRCUIT, UNIVERSAL MATE-N-LOK(TM) SIZE: A1 CAGE CODE: 350738 DRAWING NO: 00779 | RESTRICTED TO: M2 |
| DIMENSIONS: mm [INCHES] TOLERANCES UNLESS OTHERWISE SPECIFIED: 0 PLC ± 1 PLC ±0.131 (0.005) 2 PLC ± 3 PLC ± 4 PLC ± ANGLES: 40°/30° FINISH: SEE TABLE | PRODUCT SPEC: APPLICATION SPEC WEIGHT: CUSTOMER DRAWING SCALE: 1:1 SHEET: 1 OF 1 | TE Connectivity | | |