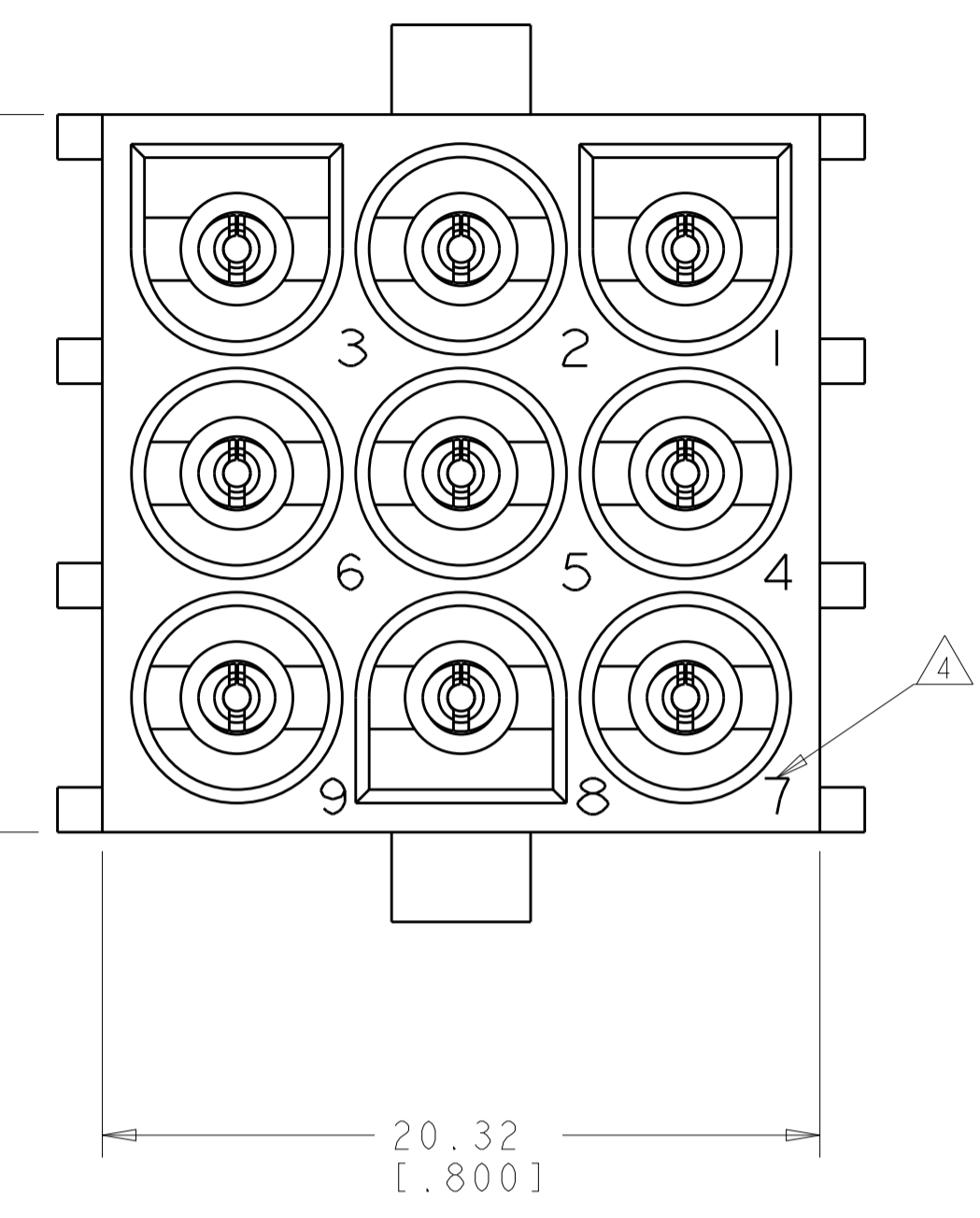
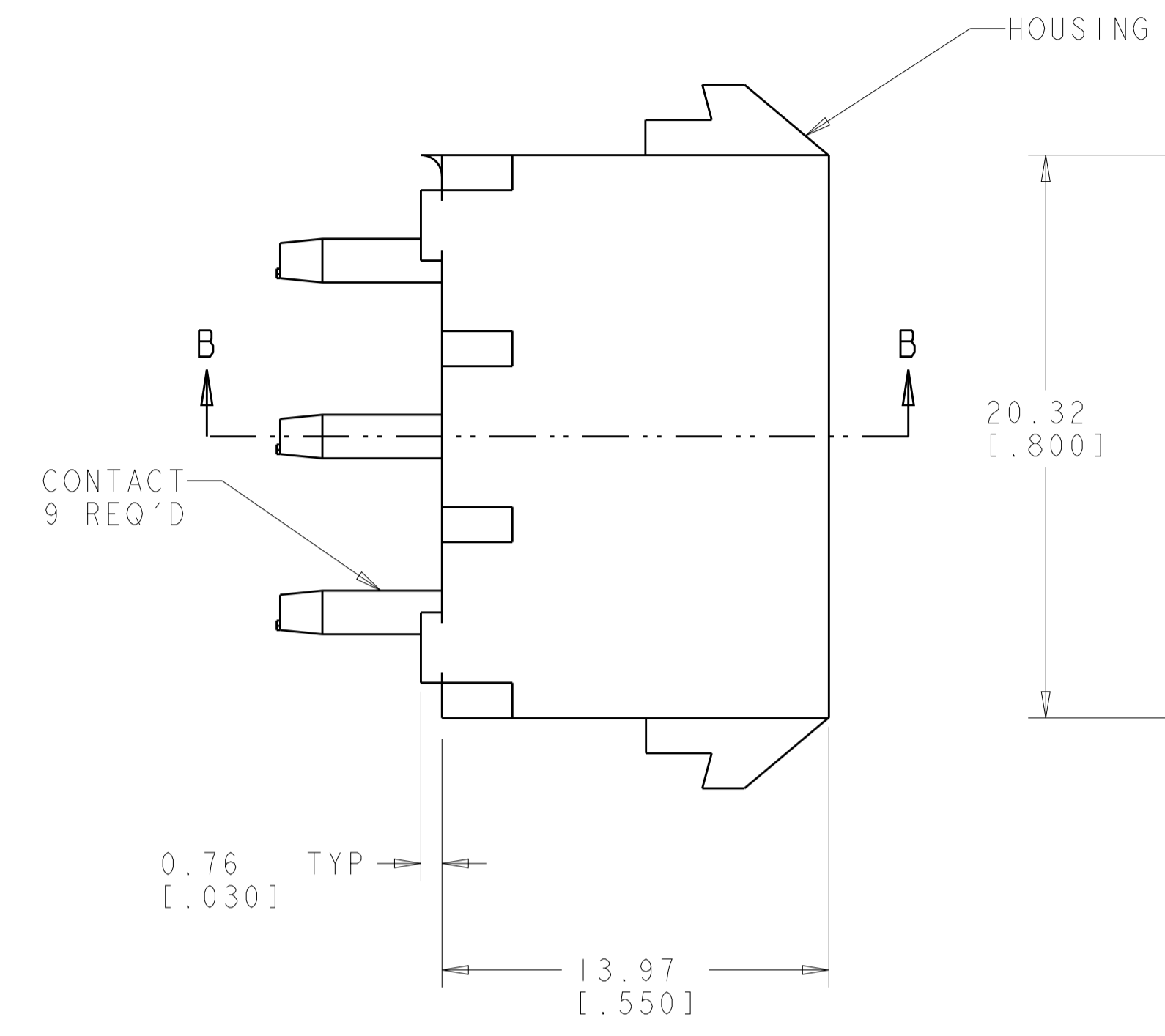
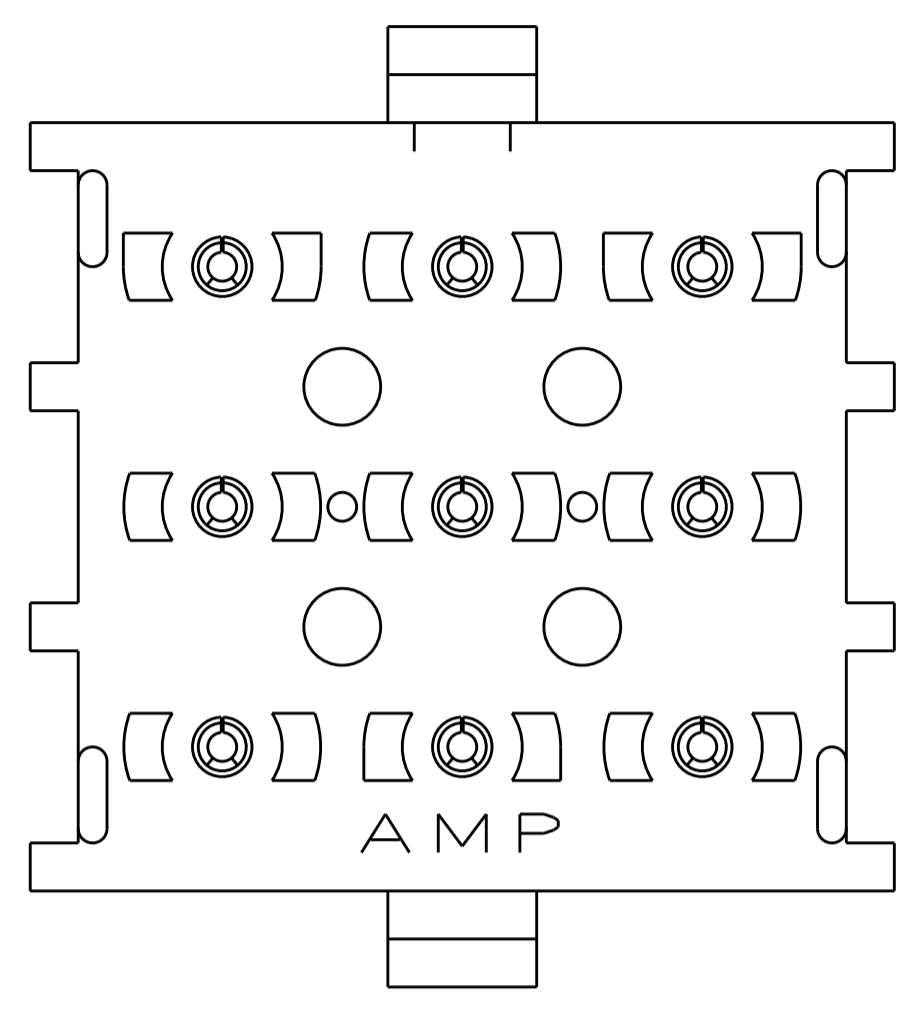
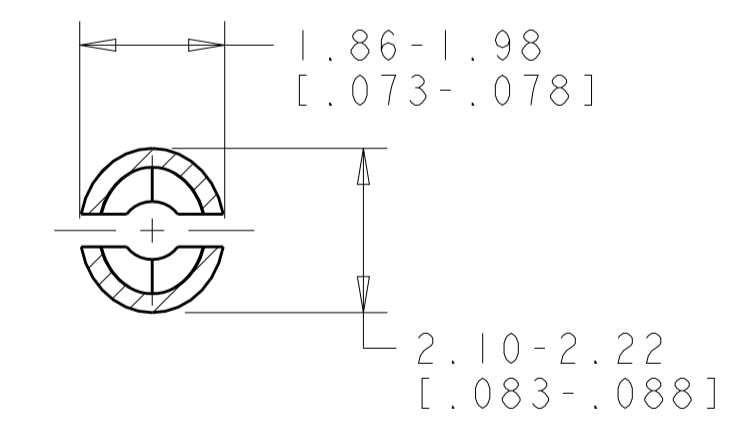
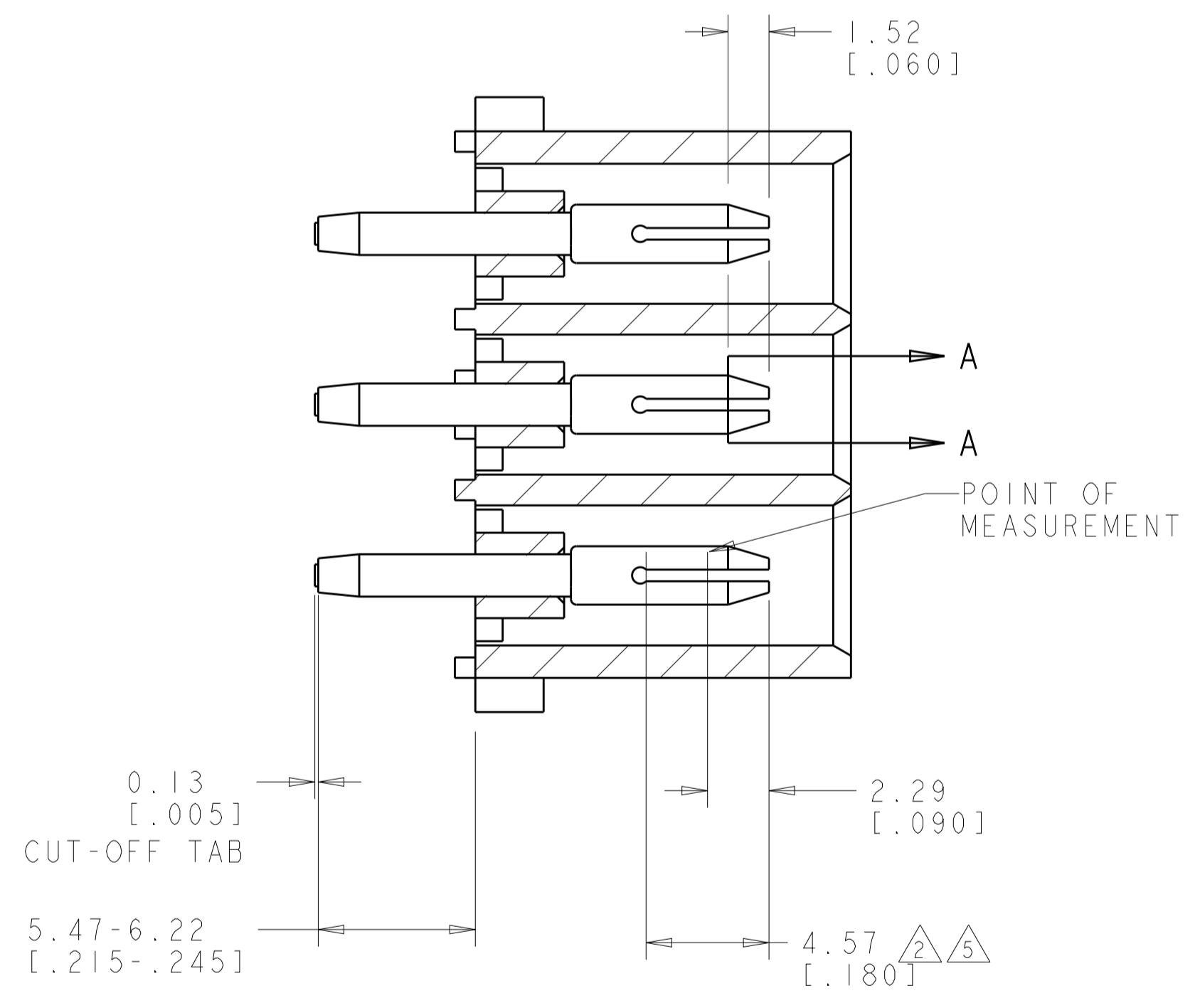


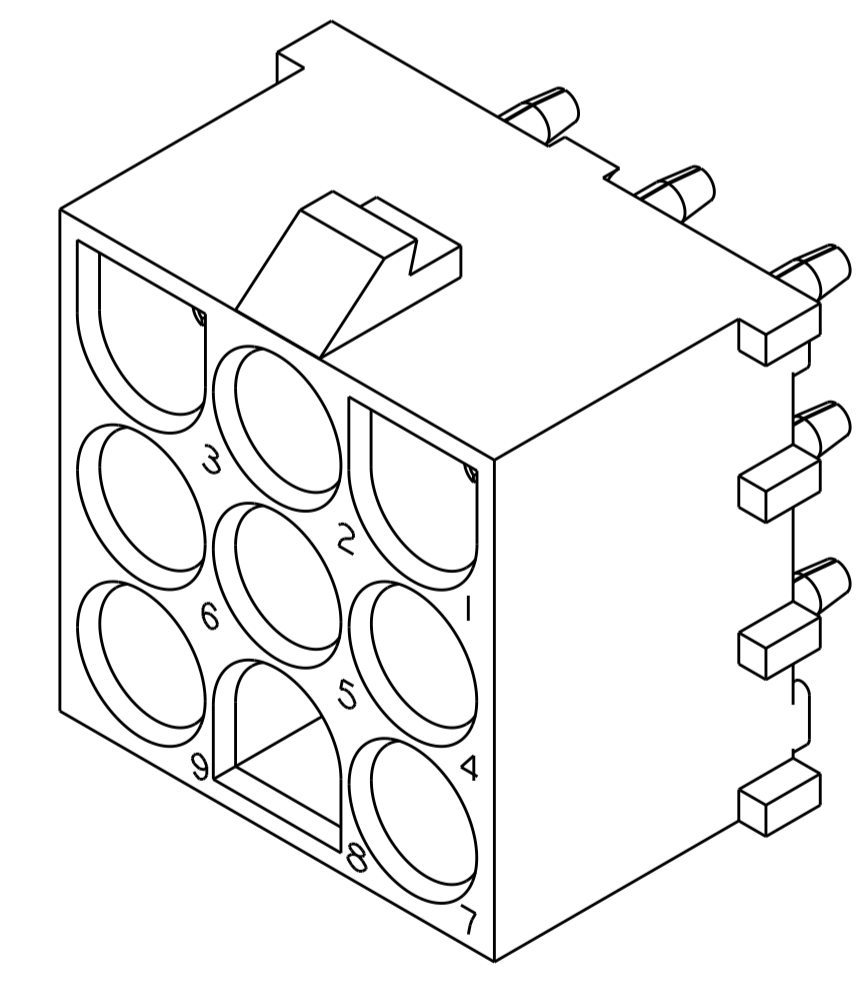
LOC	DIST	REVISIONS			
P	LTN	DESCRIPTION	DATE	DMN	APVD
P1		REVISED PER ECR-12-011660	04FEB2013	KH	TM



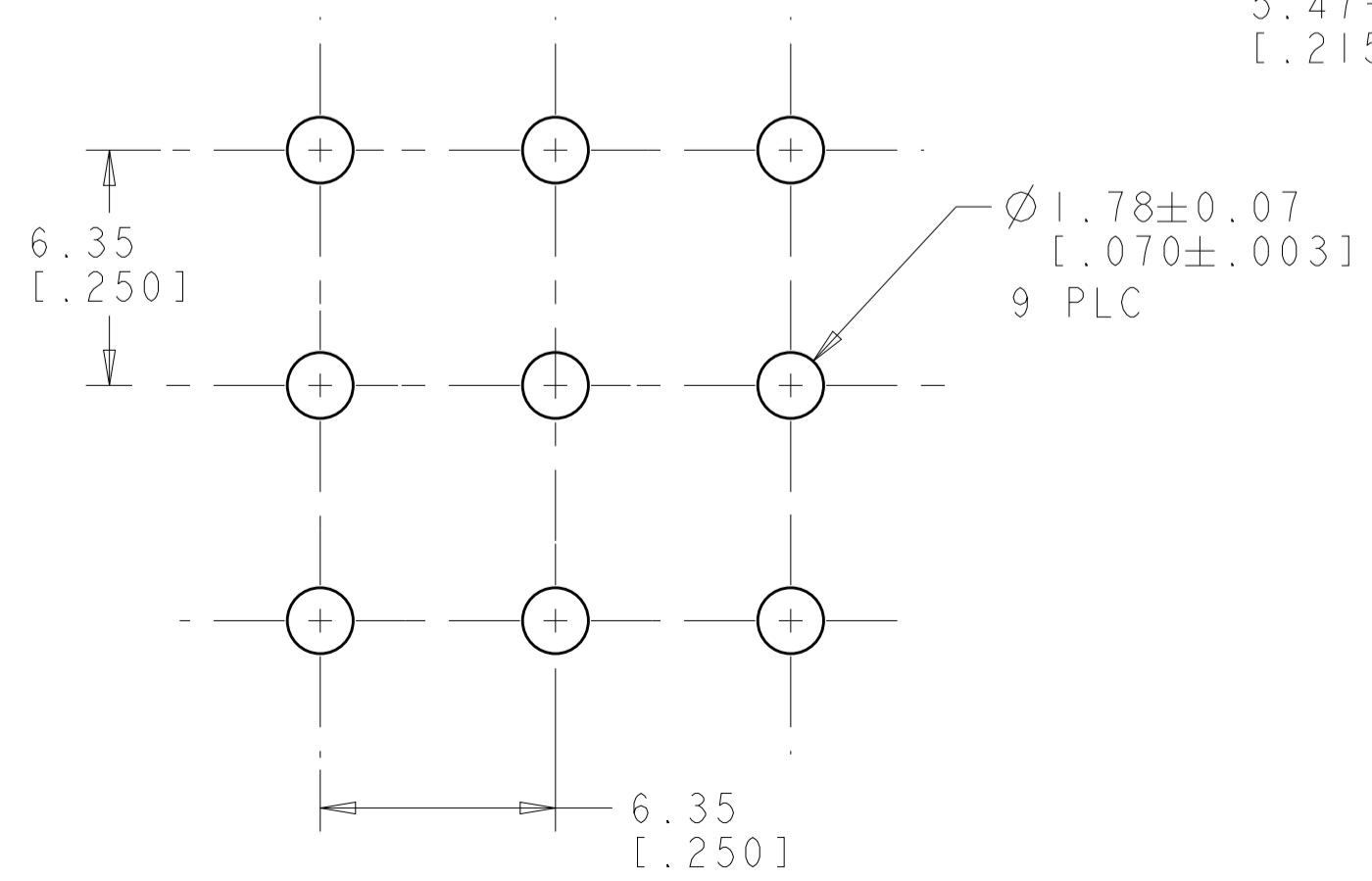
- PARTS COMPLY TO AMP SOLDERABILITY SPECIFICATION 109-11-3.
- CONTACT IS PLATED OVERALL WITH 0.00127 [.000050] NICKEL, THEN 0.00076 [.000030] GOLD OVER CONTACT LENGTH INDICATED AND TIN LEAD ON SOLDER TAIL END.
- MATES WITH HOUSING 350720.
- CIRCUIT IDENTIFICATION CHARACTERS ARE ADJACENT TO THE INDICATED CAVITIES, BUT LOCATION AND ORIENTATION MAY DIFFER FROM PRINT.
- CONTACT IS PLATED OVERALL WITH 0.00127 [.000050] NICKEL, THEN 0.00076 [.000030] GOLD OVER CONTACT LENGTH INDICATED AND MATTE TIN ON SOLDER TAIL END.
- DIMENSIONS IN BRACKETS ARE IN INCHES.
- SUPERSEDED BY 350742-4



SECTION A-A
SCALE 10:1



3 DIMENSIONAL MODEL
SCALE 4:1



RECOMMENDED MOUNTING HOLE PATTERN
FOR 1.57 [.062] THICK P.C. BOARD

PHOSPOR BRONZE, GOLD Δ 5	NYLON, UL94V-0, NATURAL	350742-4
PHOSPOR BRONZE, GOLD Δ 2	NYLON, UL94V-0, NATURAL	350742-2
PHOSPOR BRONZE, PRE-TIN	NYLON, UL94V-0, NATURAL	350742-1
PIN CONTACT MATERIAL AND FINISH	HOUSING MATERIAL AND COLOR	PART NUMBER

THIS DRAWING IS A CONTROLLED DOCUMENT.		DMN R. WHITAKER 05OCT2005	TE Connectivity
DIMENSIONS: mm [INCHES]		CHK S. RIDGILL 05OCT2005	
TOLERANCES UNLESS OTHERWISE SPECIFIED:		APVD S. RIDGILL 05OCT2005	NAME PIN HEADER ASSEMBLY, 9 CIRCUIT, LONG TAIL, UNIVERSAL MATE-N-LOK(TM)
0 PLC ± 1 PLC ± 2 PLC ±0.13(.005) 3 PLC ± 4 PLC ± ANGLES ±40°/30°		PRODUCT SPEC	SIZE A100779C=350742
MATERIAL SEE TABLE		APPLICATION SPEC	RESTRICTED TO
FINISH SEE TABLE		WEIGHT	SCALE 1:1 SHEET 1 OF 1 REV P1
CUSTOMER DRAWING			