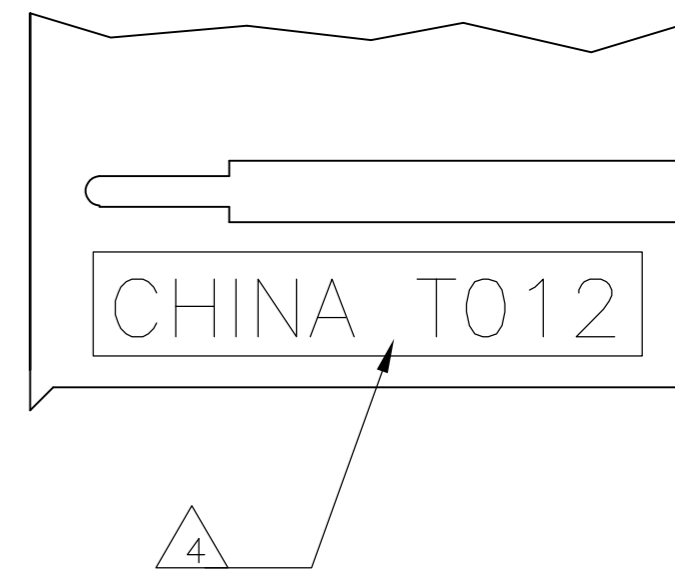
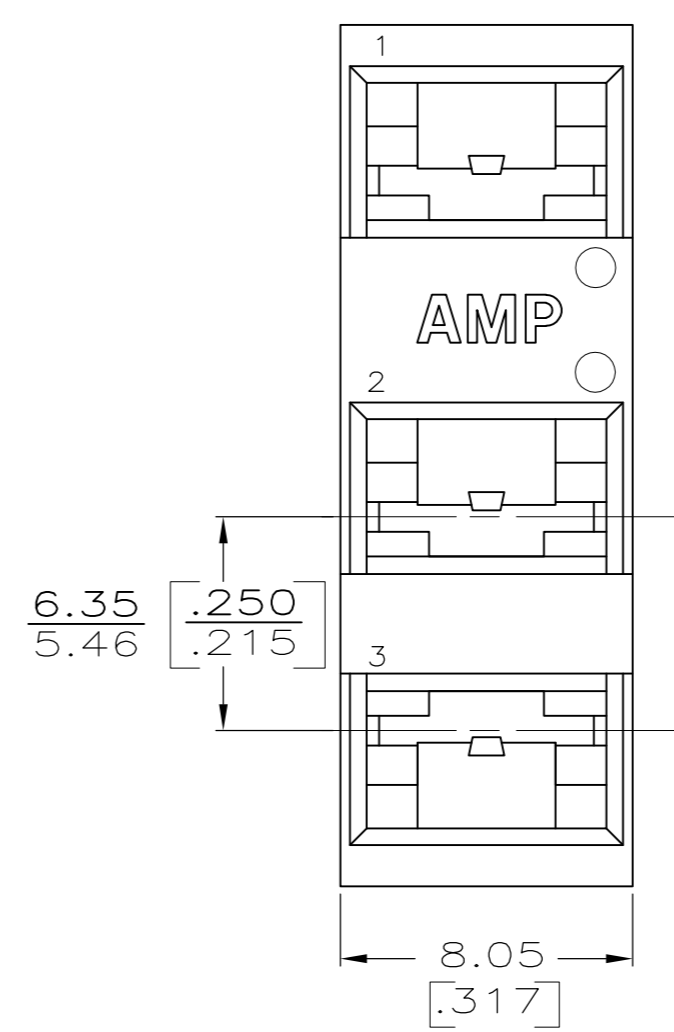
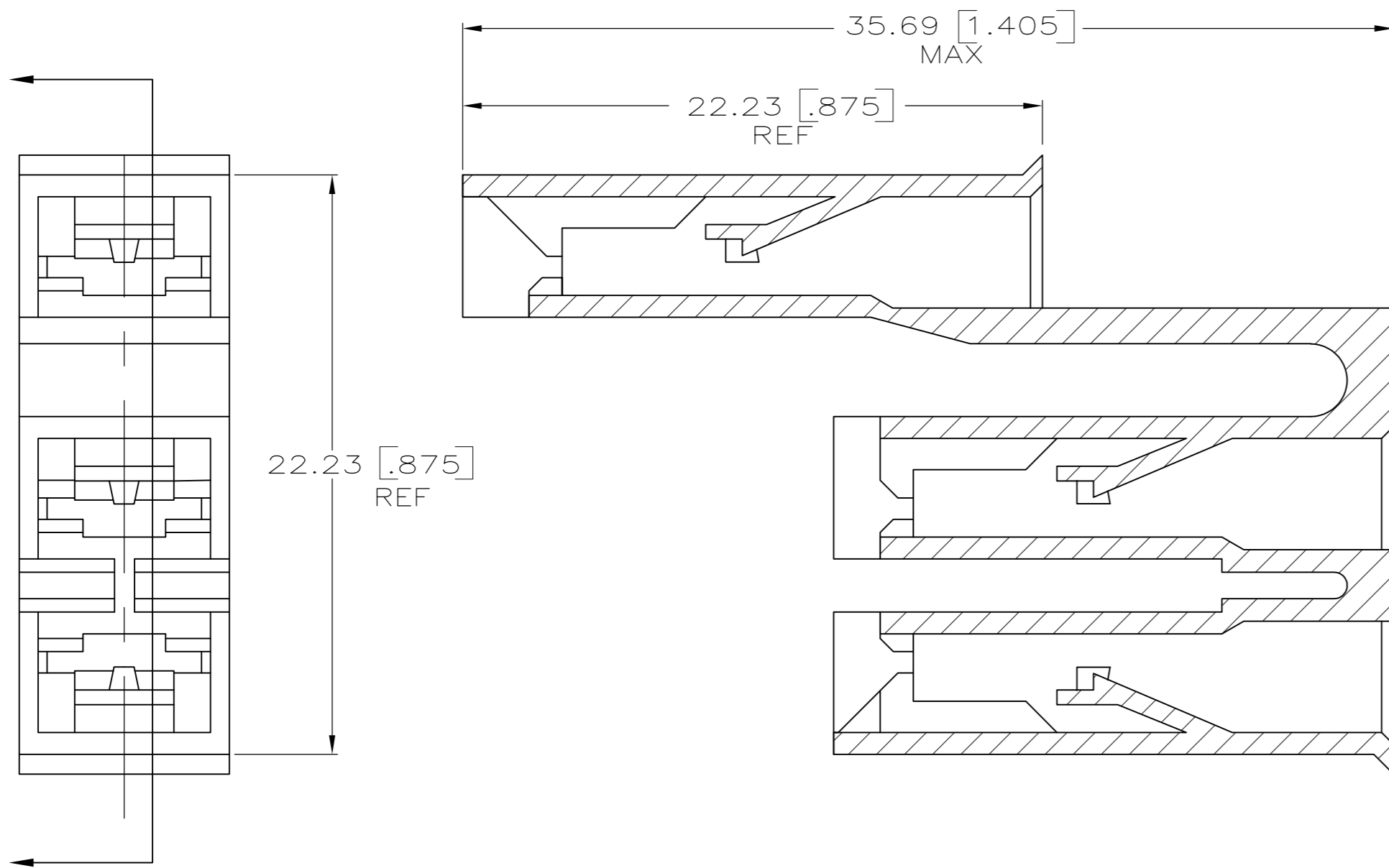


THIS DRAWING IS UNPUBLISHED. RELEASED FOR PUBLICATION  
 © COPYRIGHT - By -TE ALL RIGHTS RESERVED.

REVISIONS				
P	LTR	DESCRIPTION	DATE	APVD
AB6		REVISED PER ECR-16-011982	23MAY2017	BW DH



- 1 DIMENSIONS IN BRACKETS ARE IN INCHES.
- 2 HOUSING TO BE USED WITH THE FOLLOWING TERMINALS; 42452, 42453, 42373, 42374, 42617, 60487, 60573, 60214, 60621, 61017, 61079, 61084, 61124, 61919, 60831, 62138.
- 3 3 POSITION MICRO SWITCH HOUSING TO BE USED WITH MATCHING CENTERLINE 3 POSITION MICRO SWITCHES. CONTACT TE PRODUCT ENGINEERING TO REVIEW ANY APPLICATION WHERE COMPATIBILITY IS IN QUESTION.

- △4 COUNTRY OF ORIGIN AND VENDOR CODE
- △5 PRELIMINARY - NOT FOR PRODUCTION

<b>DISCONTINUED</b>	NATURAL	6/6 NYLON, V0	△5 360010-6
	NATURAL	POLYAMIDE, UL 94, V2, 130°C ACCORDING TO IEC 60335-1, GLOW WIRE	360010-5
	BLACK	6/6 NYLON, V0, 150°C	360010-4
	<b>OBSOLETE</b> DYED RED	6/6 NYLON	360010-3
	NATURAL	6/6 NYLON, V0, 120°C	360010-2
	NATURAL	6/6 NYLON, V2, 130°C	360010-1
	FINISH	MATERIAL	PART NO

THIS DRAWING IS A CONTROLLED DOCUMENT.		DWN	JR RUTH	5/21/87	<b>TE</b> TE Connectivity																	
DIMENSIONS: mm [INCHES]		CHK	MS FEHER	5/27/87																		
TOLERANCES UNLESS OTHERWISE SPECIFIED:		APVD	C MEYERS	5/27/87																		
<table border="0"> <tr><td>0 PLC</td><td>±</td><td>-</td></tr> <tr><td>1 PLC</td><td>±</td><td>-</td></tr> <tr><td>2 PLC</td><td>±</td><td>-</td></tr> <tr><td>3 PLC</td><td>±</td><td>0.38 [015]</td></tr> <tr><td>4 PLC</td><td>±</td><td>-</td></tr> <tr><td>ANGLES</td><td>±</td><td>-</td></tr> </table>		0 PLC	±	-		1 PLC	±	-	2 PLC	±	-	3 PLC	±	0.38 [015]	4 PLC	±	-	ANGLES	±	-	PRODUCT SPEC	NAME
0 PLC	±	-																				
1 PLC	±	-																				
2 PLC	±	-																				
3 PLC	±	0.38 [015]																				
4 PLC	±	-																				
ANGLES	±	-																				
MATERIAL	SEE TABLE	FINISH	SEE TABLE	WEIGHT	0.000000																	
MATERIAL		FINISH		WEIGHT	0.000000																	
SEE TABLE		SEE TABLE		CUSTOMER DRAWING	SCALE 1:1																	
SEE TABLE		SEE TABLE		SIZE	A2																	
SEE TABLE		SEE TABLE		CAGE CODE	00779																	
SEE TABLE		SEE TABLE		DRAWING NO	C-360010																	
SEE TABLE		SEE TABLE		RESTRICTED TO	-																	
SEE TABLE		SEE TABLE		SHEET	1 of 1																	
SEE TABLE		SEE TABLE		REV	AB6																	