

4

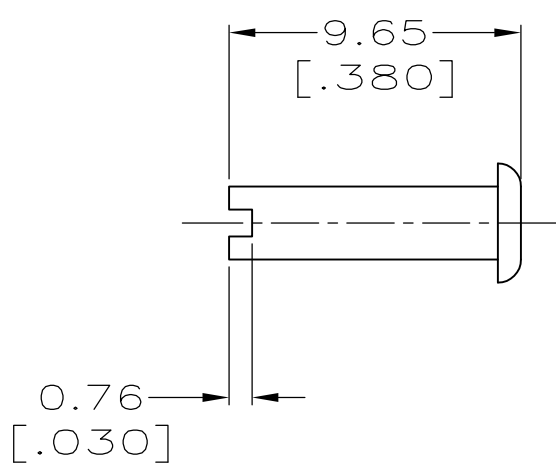
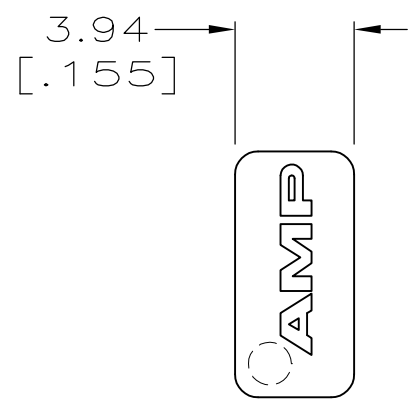
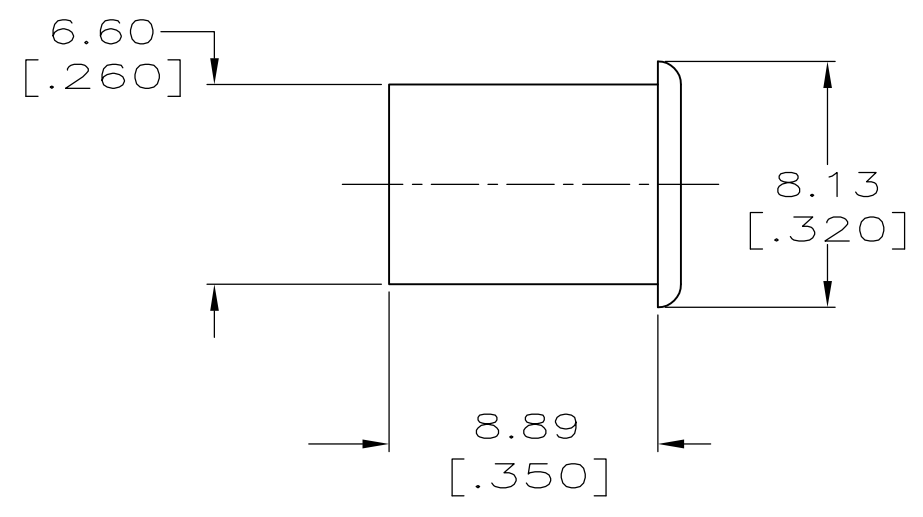
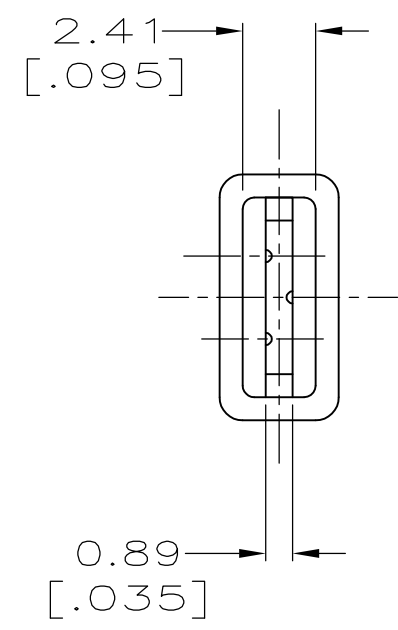
3

2

1

THIS DRAWING IS UNPUBLISHED. RELEASED FOR PUBLICATION ,19 .  
 © COPYRIGHT 19 BY AMP INCORPORATED. ALL RIGHTS RESERVED.

LOC	DIST	REVISIONS			
P	LTR	DESCRIPTION	DATE	DWN	APVD
AF	50	C1	REV PER ECR 07-014995	09OCT07	JR PD



1 TO FIT ANY STANDARD 4.75 [.187] SERIES TAB 0.51 [.020] THICK.

360041-1  
PART NO.

THIS DRAWING IS A CONTROLLED DOCUMENT.		DWN	JR RUTH	12/15/98	<b>AMP</b> AMP Incorporated Harrisburg, PA 17105-3608
DIMENSIONS: MM [INCHES]		CHK	MS FEHER	12/15/98	
		APVD	S UNGER	12/15/98	
		PRODUCT SPEC		NAME	
TOLERANCES UNLESS OTHERWISE SPECIFIED:		APPLICATION SPEC		RESTRICTED TO	
0 PLC ±- 1 PLC ±- 2 PLC ±0.38 [.015] 3 PLC ±- 4 PLC ±- ANGLES ±-		WEIGHT		SIZE	CAGE CODE
MATERIAL NYLON 6/6, V2		FINISH NATURAL		DRAWING NO	
		CUSTOMER DRAWING		A3 00779 C- 360041	
		SCALE		SHEET	REV
		4:1		1 OF 1	C1