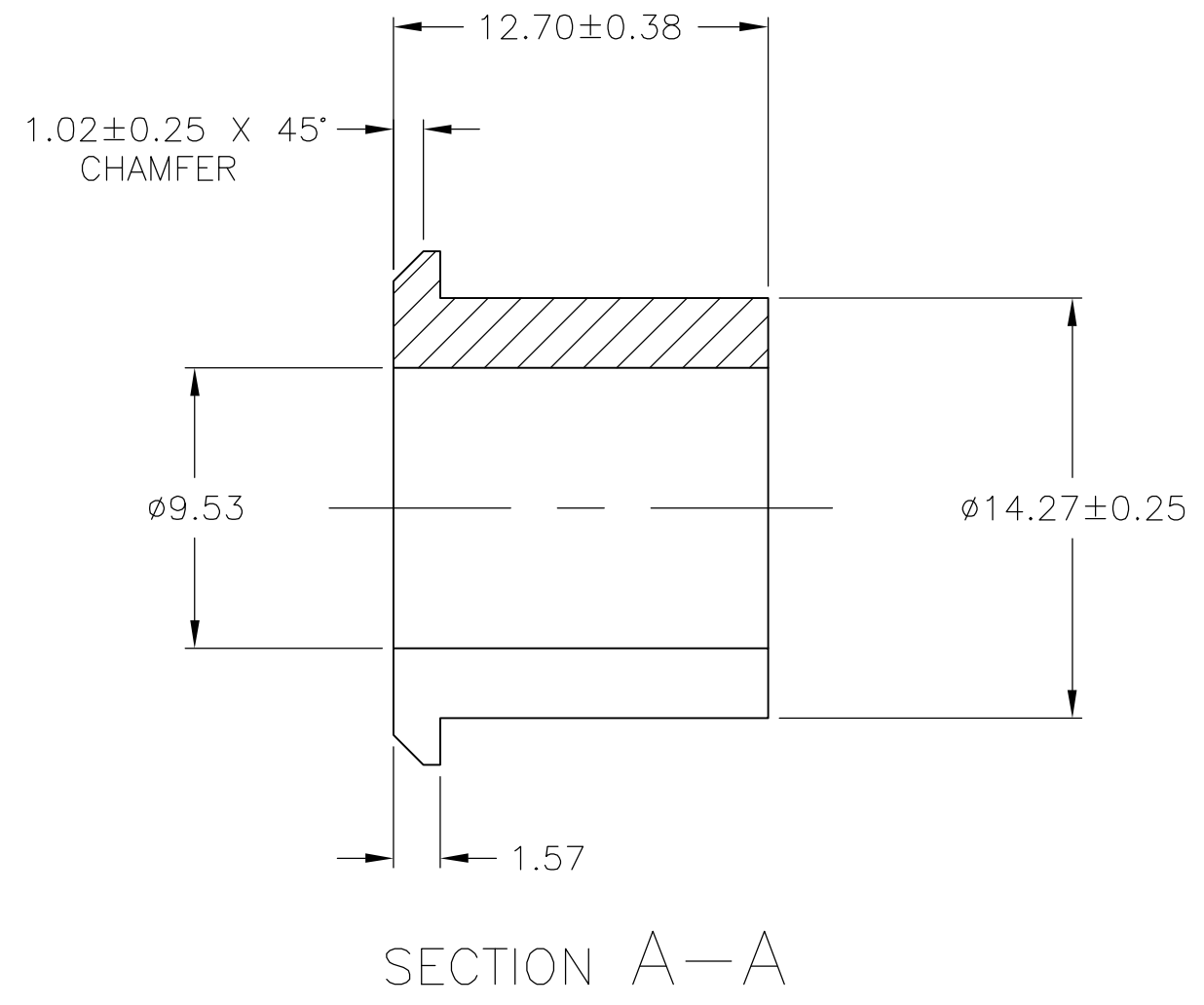
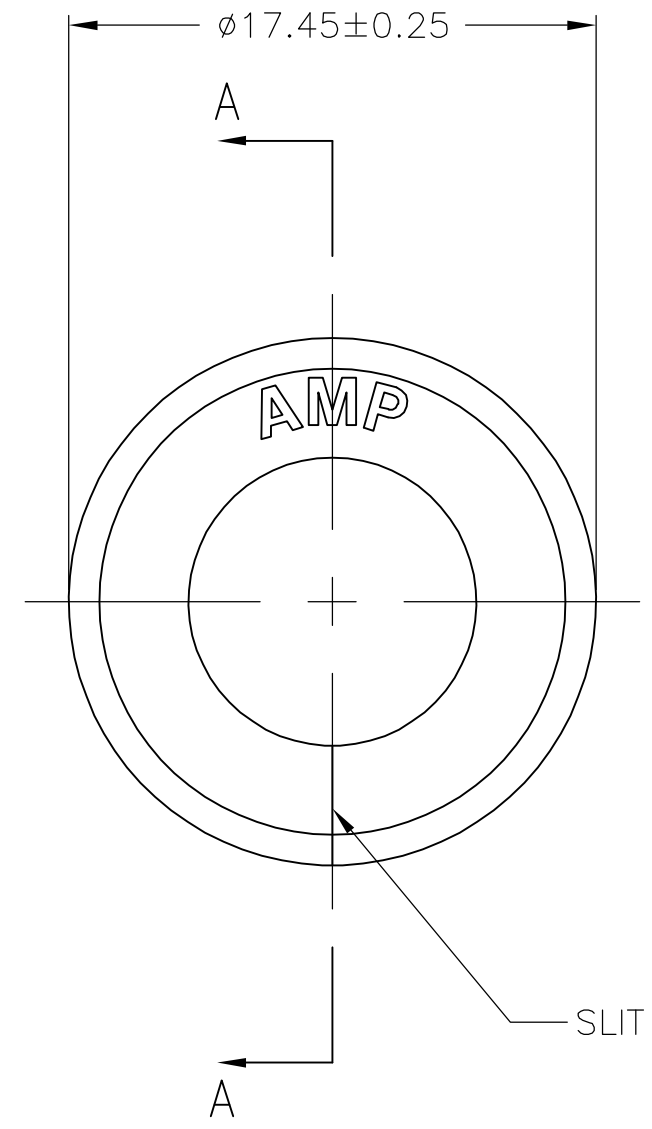
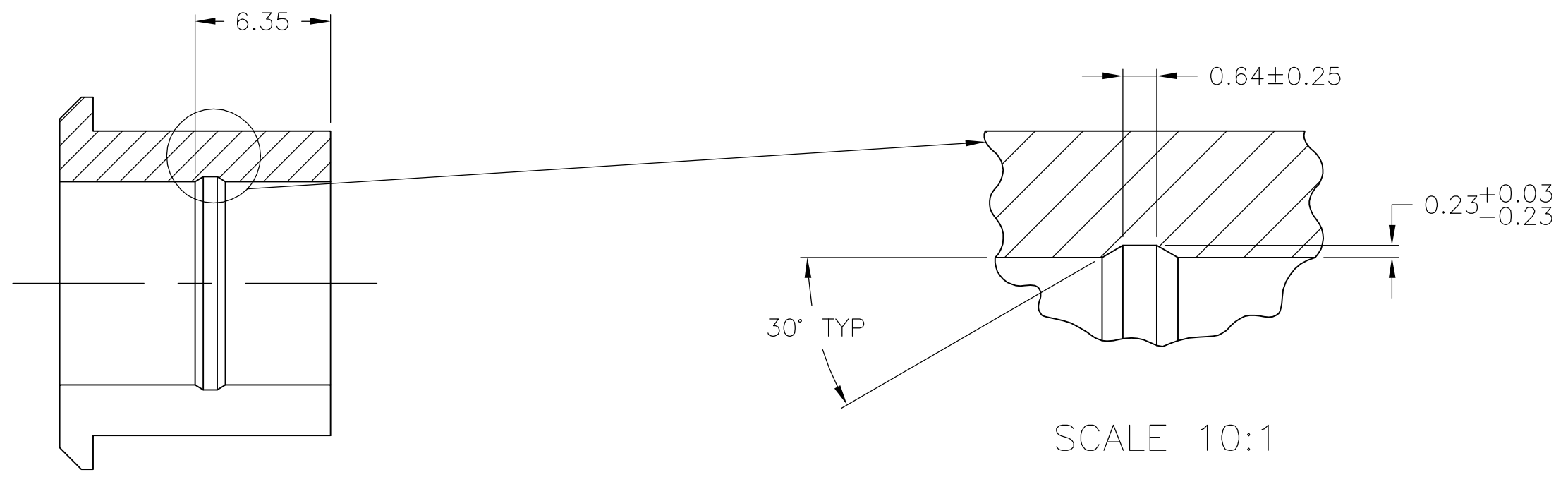
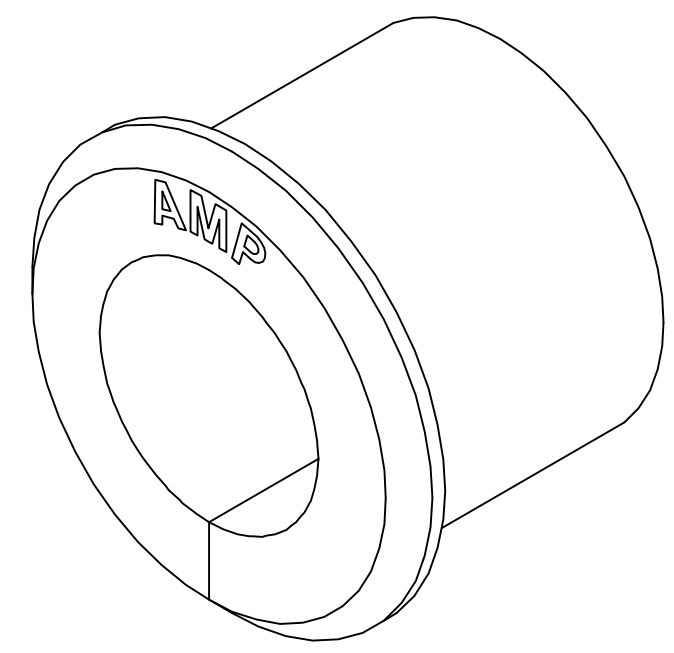


THIS DRAWING IS UNPUBLISHED. RELEASED FOR PUBLICATION  
 © COPYRIGHT BY TYCO ELECTRONICS CORPORATION. ALL RIGHTS RESERVED.

| LOC |     | DIST          |  | REVISIONS |     |      |  |
|-----|-----|---------------|--|-----------|-----|------|--|
| P   | LTR | DESCRIPTION   |  | DATE      | DWN | APVD |  |
|     | G   | ECO-06-012706 |  | 09JUN06   | BSV | JR   |  |



- 1. USE WITH STRAIN RELIEF 480594.
- 2. MOLDING COMPOUND PVC, FLEXIBLE, 55/75 DUROMETER (B SCALE), BLACK.
- 3. MOLDING COMPOUND PVC, FLEXIBLE, BLACK.



SECTION A-A  
OPTIONAL CONSTRUCTION

3-DIMENSIONAL MODEL  
NTS

|                          |          |             |
|--------------------------|----------|-------------|
| SUPERCEDED BY 2-380936-0 | 3        | 2-380936-0  |
|                          | 2        | 1-380936-0  |
|                          | MATERIAL | PART NUMBER |

| MM   | IN   | MM   | IN   | MM    | IN   |
|------|------|------|------|-------|------|
| 0.38 | .015 | 9.53 | .375 | -     | -    |
| 0.25 | .010 | 6.35 | .250 | -     | -    |
| 0.23 | .009 | 1.57 | .062 | 17.45 | .687 |
| 0.13 | .005 | 1.02 | .040 | 14.27 | .562 |
| 0.03 | .001 | 0.64 | .025 | 12.70 | .500 |
| MM   | IN   | MM   | IN   | MM    | IN   |

CONVERSION TABLE

METRIC

|   |             |                               |   |
|---|-------------|-------------------------------|---|
| THIS DRAWING IS A CONTROLLED DOCUMENT.  |             | DWN<br>K. WHITAKER<br>24MAR06 | Tyco Electronics Corporation<br>Harrisburg, Pa 17105-3608 |
| DIMENSIONS: mm  |             | CHK<br>C. JONES<br>24MAR06    |   |
| TOLERANCES UNLESS OTHERWISE SPECIFIED:  |             | APVD<br>C. JONES<br>24MAR06   |   |
| 0 PLC ± -<br>1 PLC ± -<br>2 PLC ± -<br>3 PLC ± 0.13<br>4 PLC ± -<br>ANGLES ± 1° |             | NAME<br>GROMMET,SPLIT,M.R.    |   |
| MATERIAL<br>SEE TABLE   | FINISH<br>- | PRODUCT SPEC<br>-             | APPLICATION SPEC<br>-                                     |
|   |             | WEIGHT<br>-                   | RESTRICTED TO<br>-  |
|   |             | CUSTOMER DRAWING              | SCALE 4:1 SHEET 1 OF 1 REV G                              |

380936