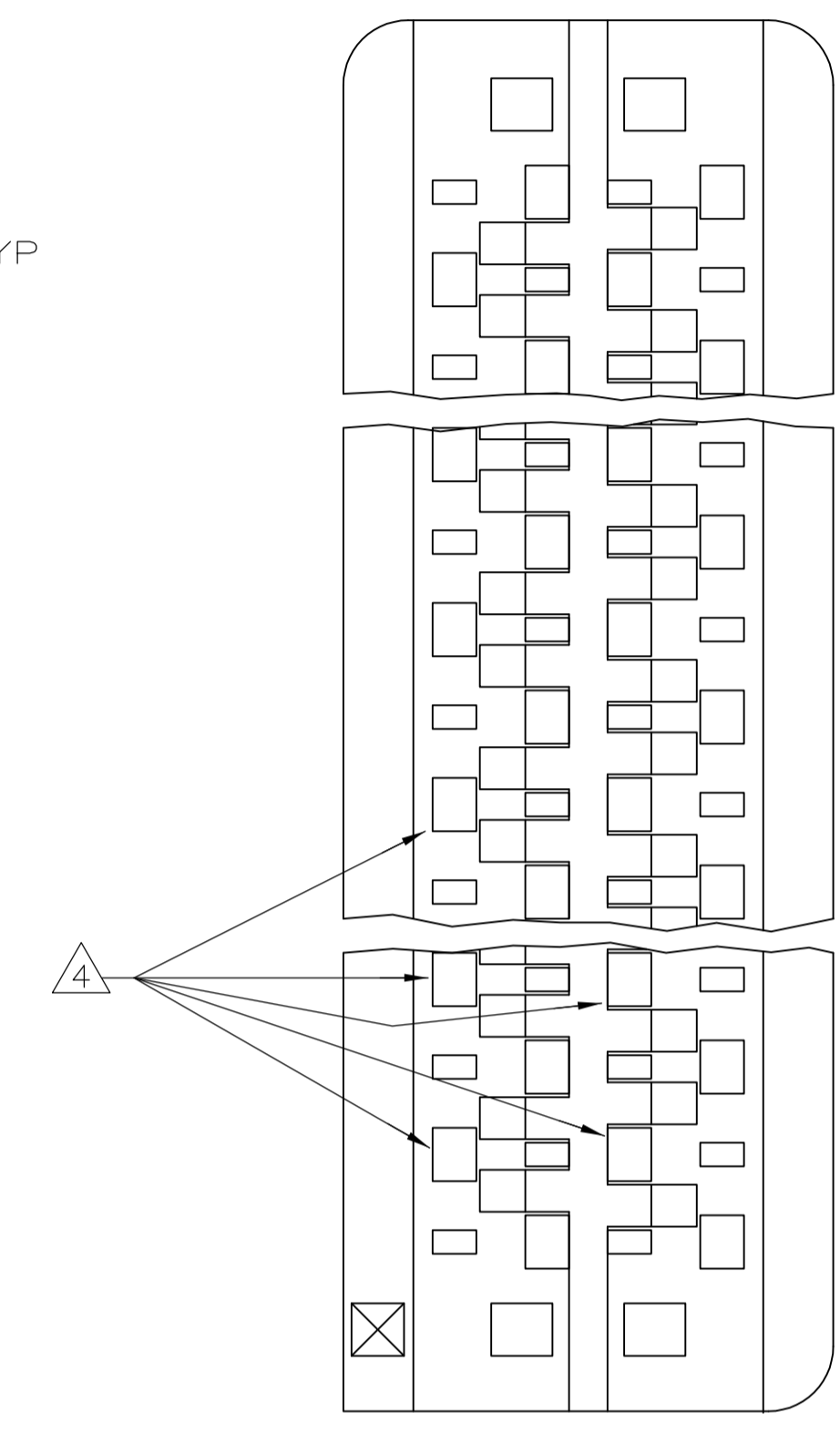
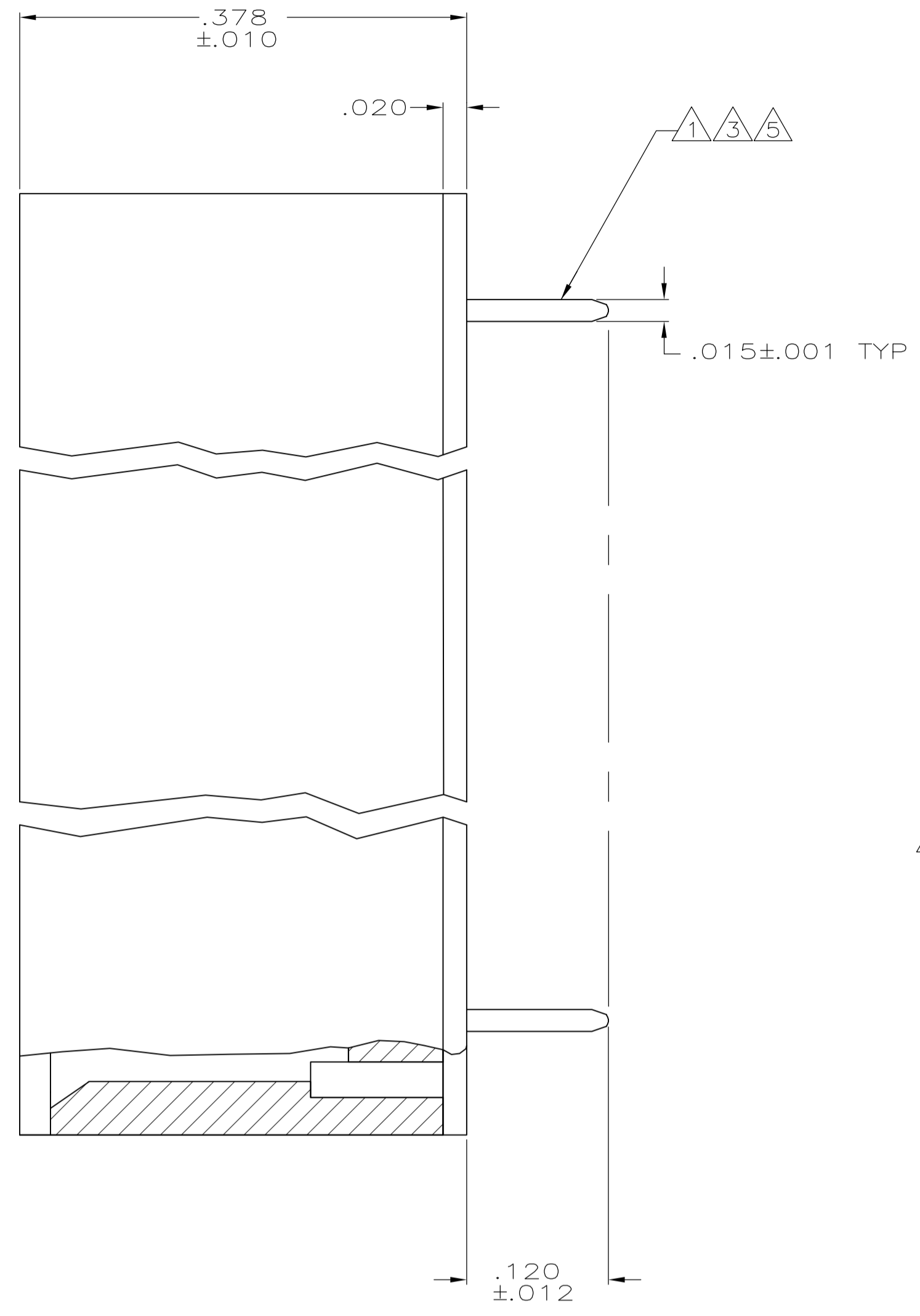
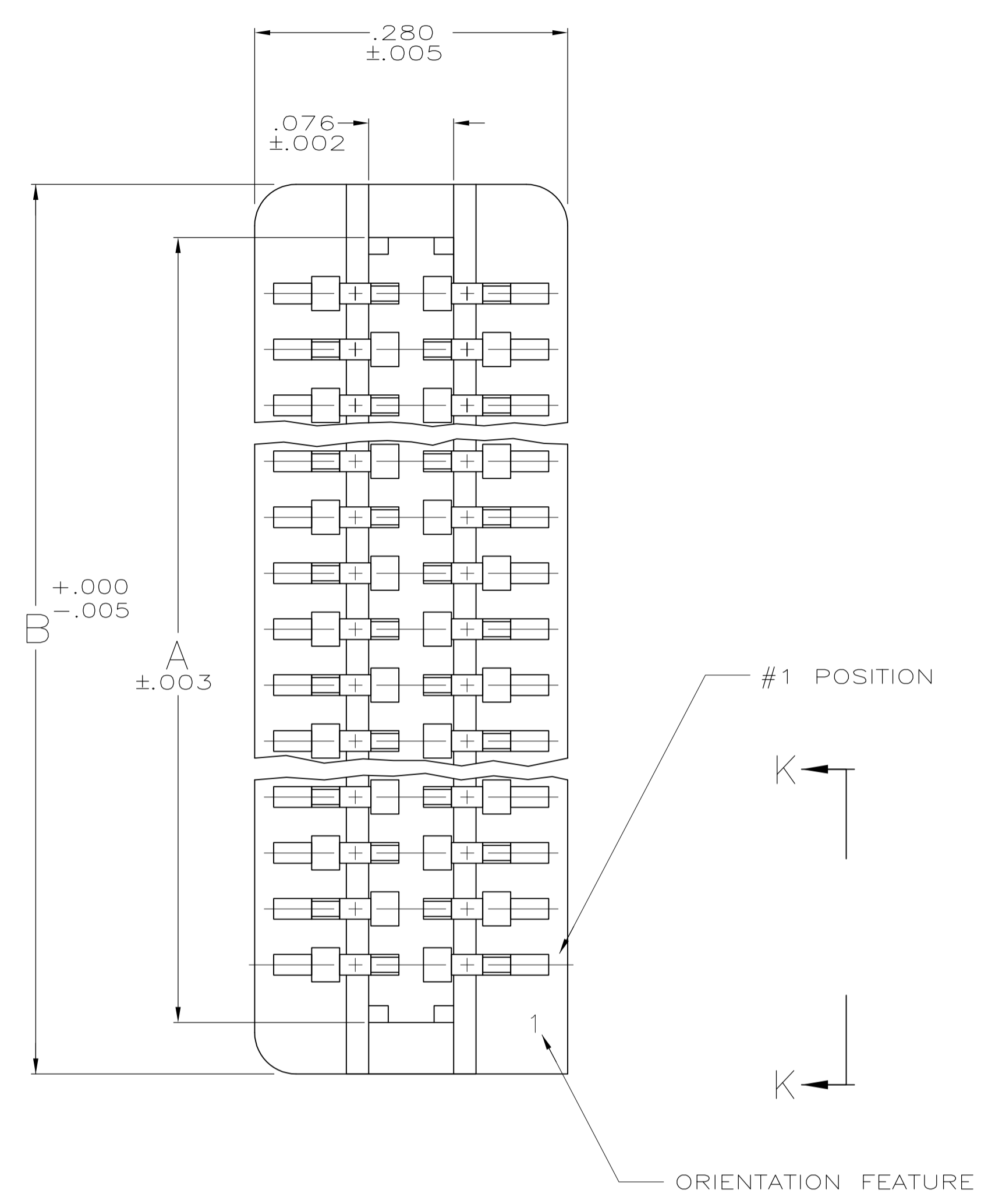
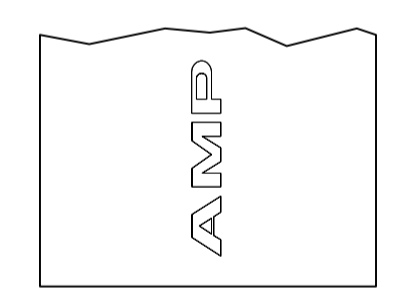
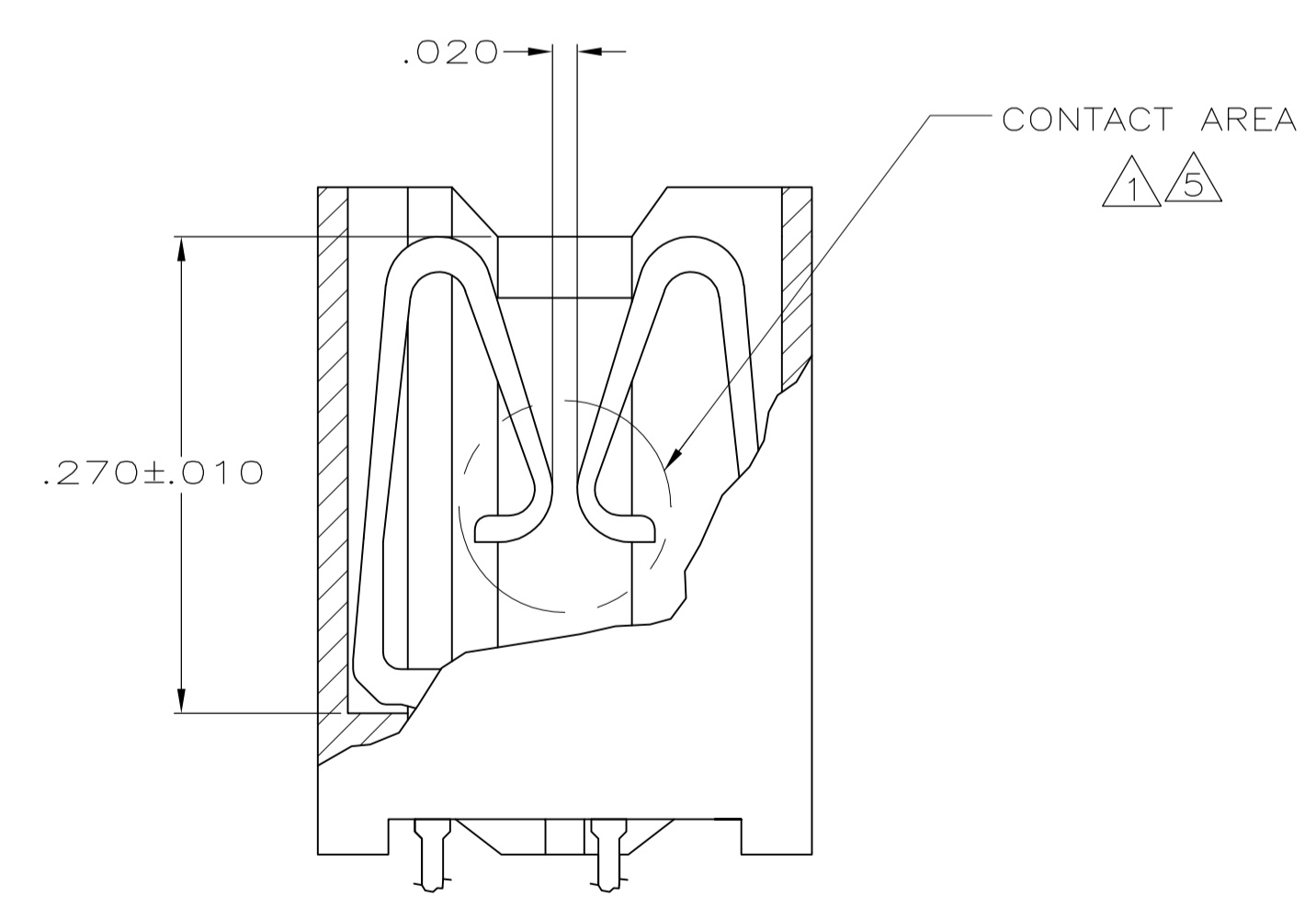


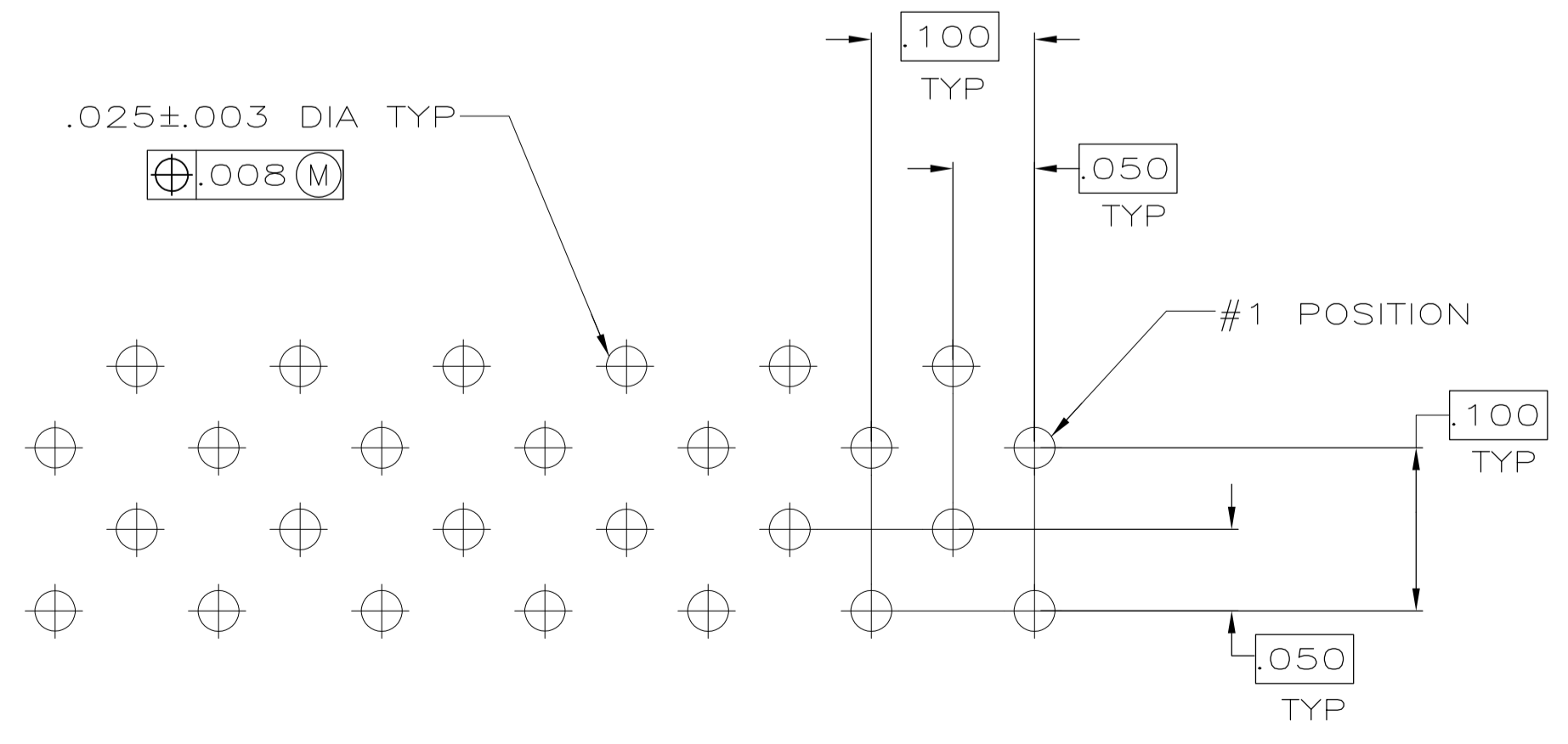
LOC		DIST		REVISIONS			
FT	22	P	LTR	DESCRIPTION	DATE	DMN	APVD
		G		ECO-06-24626	26OCT06	MB	MM
		G1		REVISED PER ECO-09-021510	05SEP09	KK	AEG



- 1 MATERIAL: HSG-GLOSS REINFORCED FLAME RETARDANT POLYESTER, COLOR-BLACK. CONTACT- BERYLLIUM COPPER FINISH .000030 MIN THK GOLD IN CONTACT AREA WITH .000150 MIN THK TIN-LEAD ON CONTACT LEGS, BALANCE OF CONTACT NICKEL PLATED.
- 2 THIS CONNECTOR IS DESIGNED TO ACCOMMODATE A .064±.005 THK PC BOARD.
- 3 THIS CONNECTOR IS DESIGNED TO MOUNT ON RECOMMENDED HOLE PATTERN.
- 4 SELECTIVE LOAD, FIVE CIRCUITS TO BE EMPTY.
- 5 MATERIAL: HSG-GLOSS REINFORCED FLAME RETARDANT POLYESTER, COLOR-BLACK. CONTACT- BERYLLIUM COPPER FINISH .000030 MIN THK GOLD IN CONTACT AREA WITH .000150 MIN THK TIN ON CONTACT LEGS, BALANCE OF CONTACT NICKEL PLATED.
- 6 OBSOLETE PARTS: OBSOLETE CIS STREAMLINING PER D.RENAUD/D.SINISI



VIEW K-K
AMP LOGO LOCATION
SCALE 5:1



RECOMMENDED MOUNTING HOLE PATTERN 3

OBSOLETE	SELECTIVE LOAD 4	.495	.400	7-DUAL SOLDER TAIL	5	5-382200-3	
OBSOLETE	-	1.895	1.800	35-DUAL SOLDER TAIL	5	5-382200-2	
OBSOLETE	-	.795	.700	13-DUAL SOLDER TAIL	5	5-382200-1	
6	OBSOLETE	SELECTIVE LOAD 4	.495	.400	7-DUAL SOLDER TAIL	1	382200-3
		-	1.895	1.800	35-DUAL SOLDER TAIL	1	382200-2
6	OBSOLETE	-	.795	.700	13-DUAL SOLDER TAIL	1	382200-1

REMARKS	B	A	DESCRIPTION	PART NUMBER
			CONNECTOR ASSY, MINI-EDGE	

THIS DRAWING IS A CONTROLLED DOCUMENT. DIN K.SALMEN 5-11-89
 CHK A.MILLER 5-11-89
 TOLERANCES UNLESS OTHERWISE SPECIFIED:
 0. PLC ± -
 1. PLC ± -
 2. PLC ± -
 3. PLC ± .010
 4. PLC ± -
 ANGLES ± -
 MATERIAL 1
 FINISH 1

DIMENSIONS: INCHES
 TOLERANCES UNLESS OTHERWISE SPECIFIED:
 0. PLC ± -
 1. PLC ± -
 2. PLC ± -
 3. PLC ± .010
 4. PLC ± -
 ANGLES ± -

APVD NAME
 PRODUCT SPEC
 APPLICATION SPEC
 WEIGHT
 CUSTOMER DRAWING

DIN K.SALMEN 5-11-89
 CHK A.MILLER 5-11-89
 Tyco Electronics Corporation
 Harrisburg, PA 17105-3608
 NAME
 SIZE CAGE CODE DRAWING NO
 A1 00779 C=382200
 SCALE 10:1 SHEET 1 OF 1 REV G1