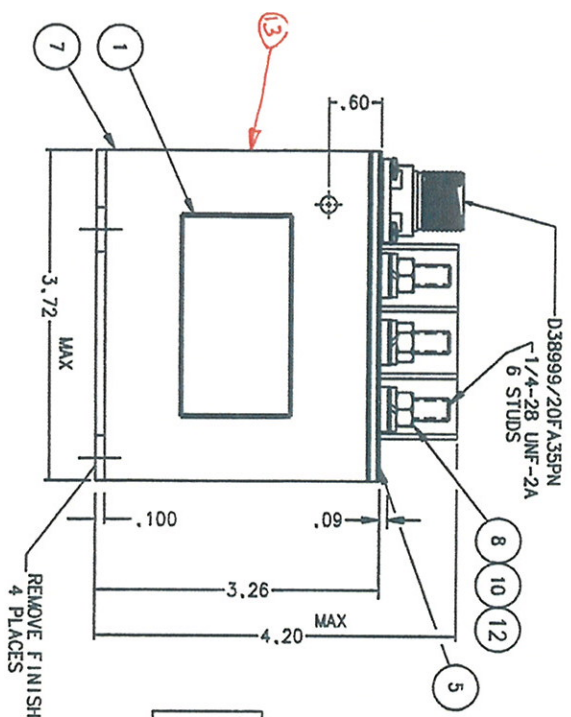
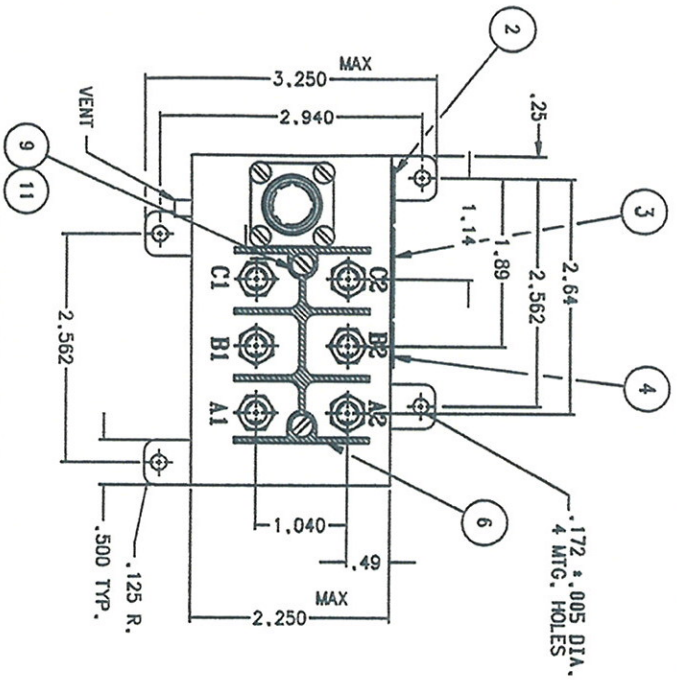


FAA / OMA



NOTE: FOR PROPER OPERATION, PIN A REQUIRES 18 TO 28 VDC.



CONSTRUCTION

MAIN CONTACTS
CONFIGURATION
VOLTAGE (NOM.)
CURRENT RES:
MOTOR RUPTURE
OPERATE TIMES:
CLOSING
OPENING
BOUNCE

COIL DATA
DUTY CYCLE
MIN. OPER. VOLTAGE
MAX. OPER. VOLTAGE
RESISTANCE

ENVIRONMENTAL DATA
OPERATE TEMP.
VIBRATION: SINE

ALTITUDE
LIFE MECHANICAL
WEIGHT MAX.

TRIP POINTS
CURRENT ± 10%
50 AMP
65 AMP
80 AMP & GREATER

GASKET SEALED (VENTED)

3PST SIDE STABLE
115/208 VAC 400 - 610 HZ
35 AMP 50,000 CYCLES
30 AMP 50,000 CYCLES
1000 AMP

35 MS MAX. OVERRIDE AT 28 VDC
25 MS MAX. OVERRIDE AT 28 VDC
3 MS MAX.

CONTINUOUS ECONOMIZED

18VDC AT 85°C
32 VDC
PICKUP - 11.3 OHMS ± 10%
HOLD - 114.5 OHMS ± 10%

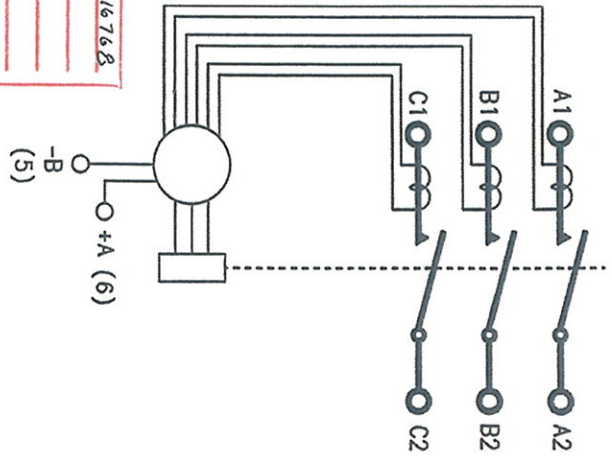
-55°C TO +85°C
.036 DA FROM 10 TO 50 HZ
10 g FROM 55 TO 2000 HZ

50,000 FT. MAX
100,000 CYCLES MIN.
1.55 LBS.

TRIP TIME
NO TRIP
2-3 SEC
1-1.9 SEC
.01-.1 SEC

REV	DESCRIPTION	RELEASED	DATE	APPROVED
A	0139-02 REDESIGNED PACKAGE		02/10/09	
B	0071-03 ADDED 43154-080 REMOVED NOTE		03/01/20	

EC/RCN # EcR-07-016768
DATE 6-7-07-17
APPROVED [Signature]
PREPARED [Signature]



QTY	PART OR IDENTIFYING NO	DESCRIPTION	FOCAL NO	DETAILED OR SPECIFICATION	MATERIAL OR NOTE
12	51807-034	WASHER - LOCK, NO.1/4, SPLIT			BRONZE
11	51804-010	WASHER - LOCK, NO.4, SPLIT			BRONZE
10	51703-064	WASHER - FLAT 1/2 X 17/64 X .032			BRASS
9	51204-960	SCREW 4-40 X 7/8 RD. HD.			BRASS
8	50407-074	NUT 1/4-28 X 3/8 X 3/16 HEX			BRASS
7	43154-080	CONTRACTOR ASSEMBLY - PRI.			
6	42726-001	SHIELD - TERMINAL			
5	42912-001	PLATE - BASE COVER			
4	41211-001	PLATE - WARNING			
3	42913-005	PLATE - WIRING DIAGRAM			
2	25695-001	PLATE - WARNING			
1	16043-001	PLATE - NAME			

Tyco Electronics
18 Harrison Division 175 N. DIAMOND STREET WAINFIELD, OHIO 44602

REMOTE POWER CONTROLLER
115/208 VAC 3PST 35 AMP

RA-3100P

2 PL. DEC. 3 PL. DEC. ANGLES
± .06 ± 1°

REF. TYCO P/N 4-1616917-1

TE