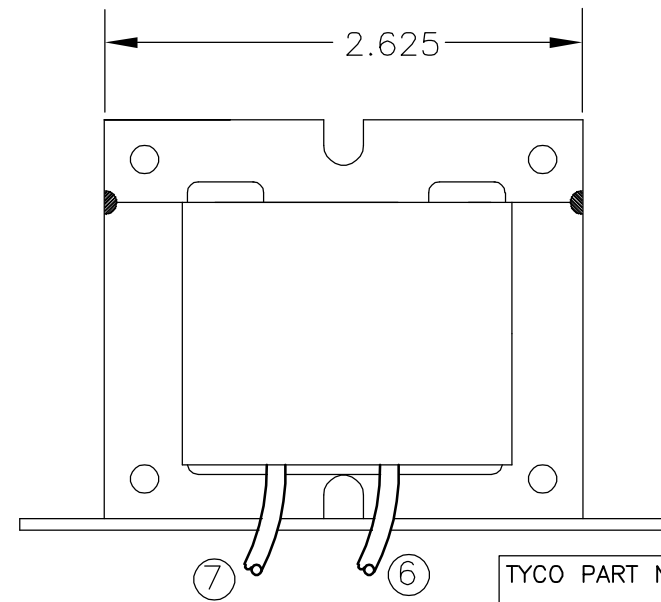
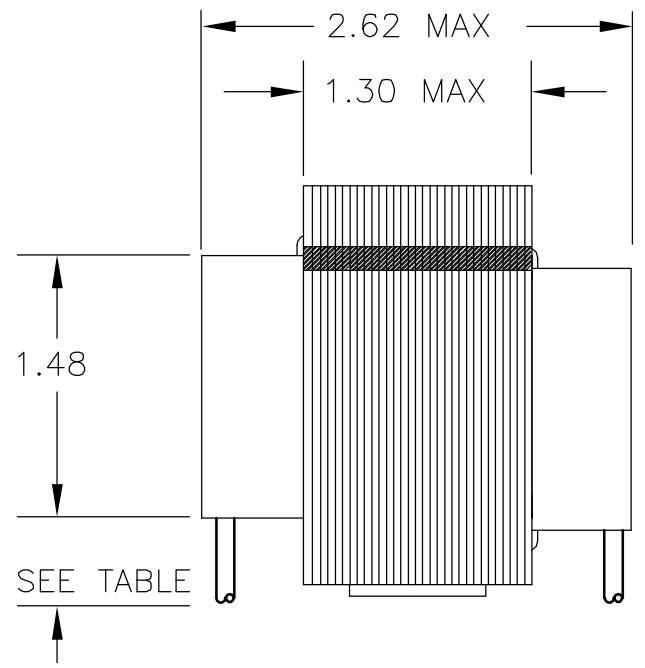
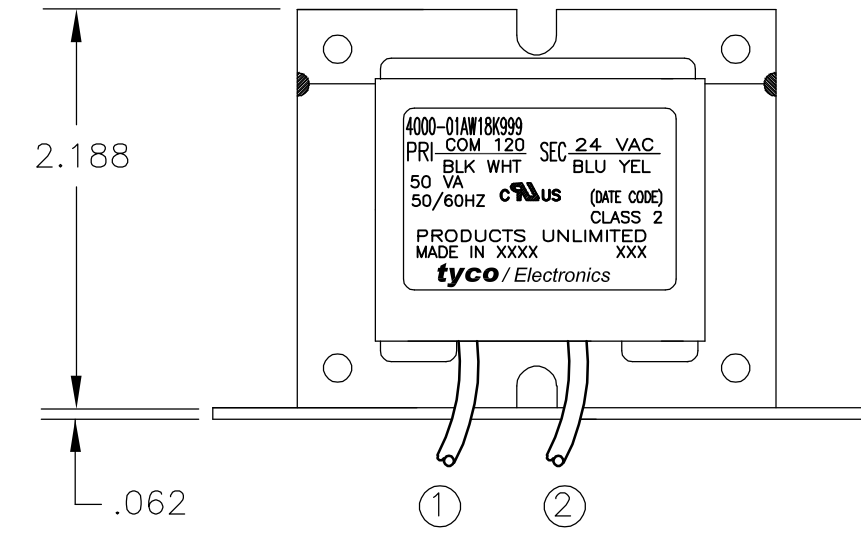
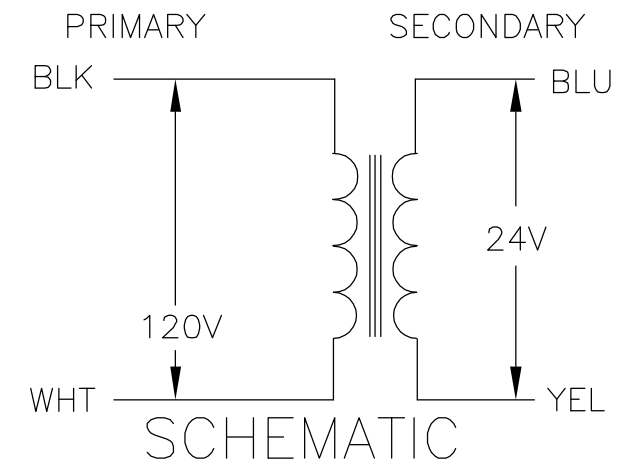
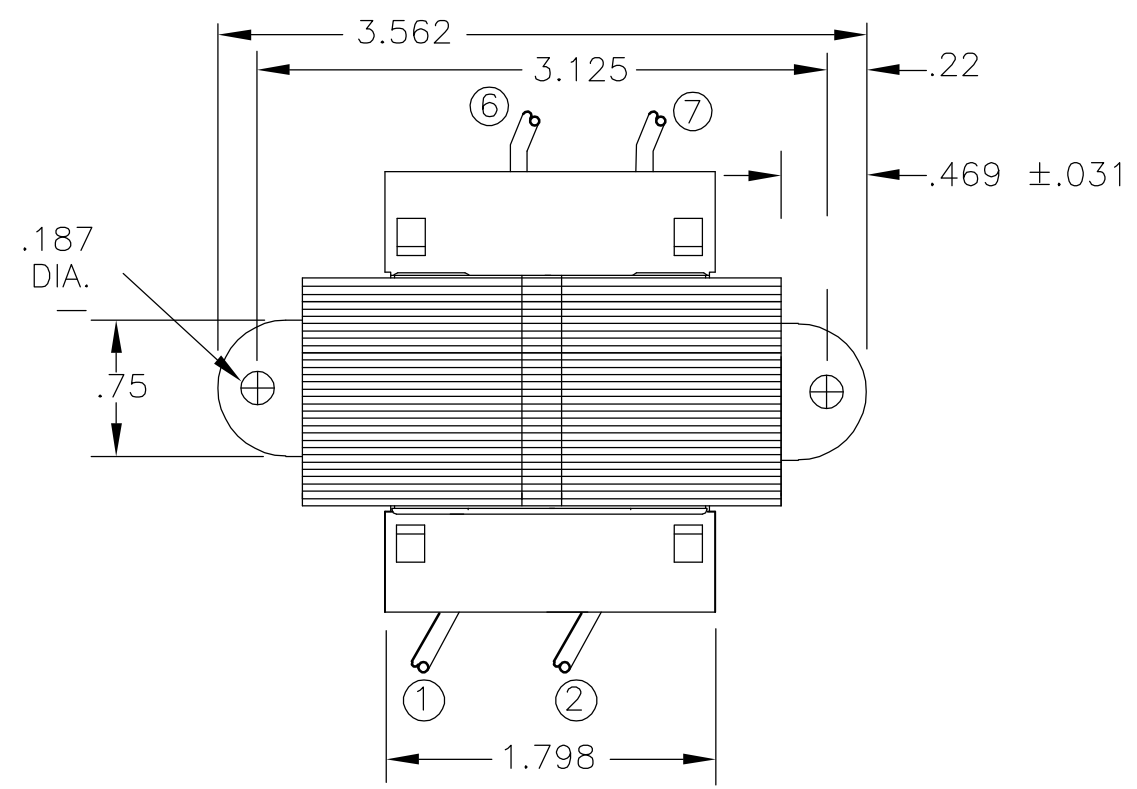


THIS DRAWING IS UNPUBLISHED. RELEASED FOR PUBLICATION
 © COPYRIGHT BY TYCO ELECTRONICS CORPORATION. ALL RIGHTS RESERVED.

LOC	DIST	REVISIONS					
GZ	00	P	LTR	DESCRIPTION	DATE	DWN	APVD
		B		0611-0162-03	16MAY2003	TCS	KH

ALL LEADS 18AWG-UNLESS OTHERWISE SPECIFIED				NOTES 1. DIMENSIONS FOR REFERENCE ONLY. 2. ALL LEADS +1"/-0" TOL. 3. STRIP TOL. ±1/32 4. WINDING PROTECTION-INHERENTLY LIMITING				CERTIFICATION: UL & CUL FILE NO. E87824					
PRIMARY				SECONDARY									
LEAD NO.	1	2		LEAD NO.	6	7	8	9					
VOLTAGE	COM	120		VOLTAGE	24	VAC							
COLOR	BLK	WHT		COLOR	BLU	YEL							
LENGTH	12.0	12.0		LENGTH	12.0	12.0							
STRIP LENGTH	.50	.50		STRIP LENGTH	.50	.50							



TYCO PART NUMBER
 2-1611461-1

THIS DRAWING IS A CONTROLLED DOCUMENT.		DWN	11/5/96		Tyco Electronics Corporation Harrisburg, PA 17105-3608
DIMENSIONS: INCHES		CHK	-		
TOLERANCES UNLESS OTHERWISE SPECIFIED:		APVD	-		
0 PLC ± - 1 PLC ± - 2 PLC ± - 3 PLC ± - 4 PLC ± - ANGLES ± -		PRODUCT SPEC	-		
MATERIAL		FINISH	-		NAME
					TRANSFORMER OUTLINE P.U. STOCK
					SIZE
					CAGE CODE
					DRAWING NO
					RESTRICTED TO
					A3 00779
					4000-01AW18K999
					SCALE
					NTS
					SHEET
					1 OF 1
					REV
					B