

THIS DRAWING IS UNPUBLISHED.

RELEASED FOR PUBLICATION

20

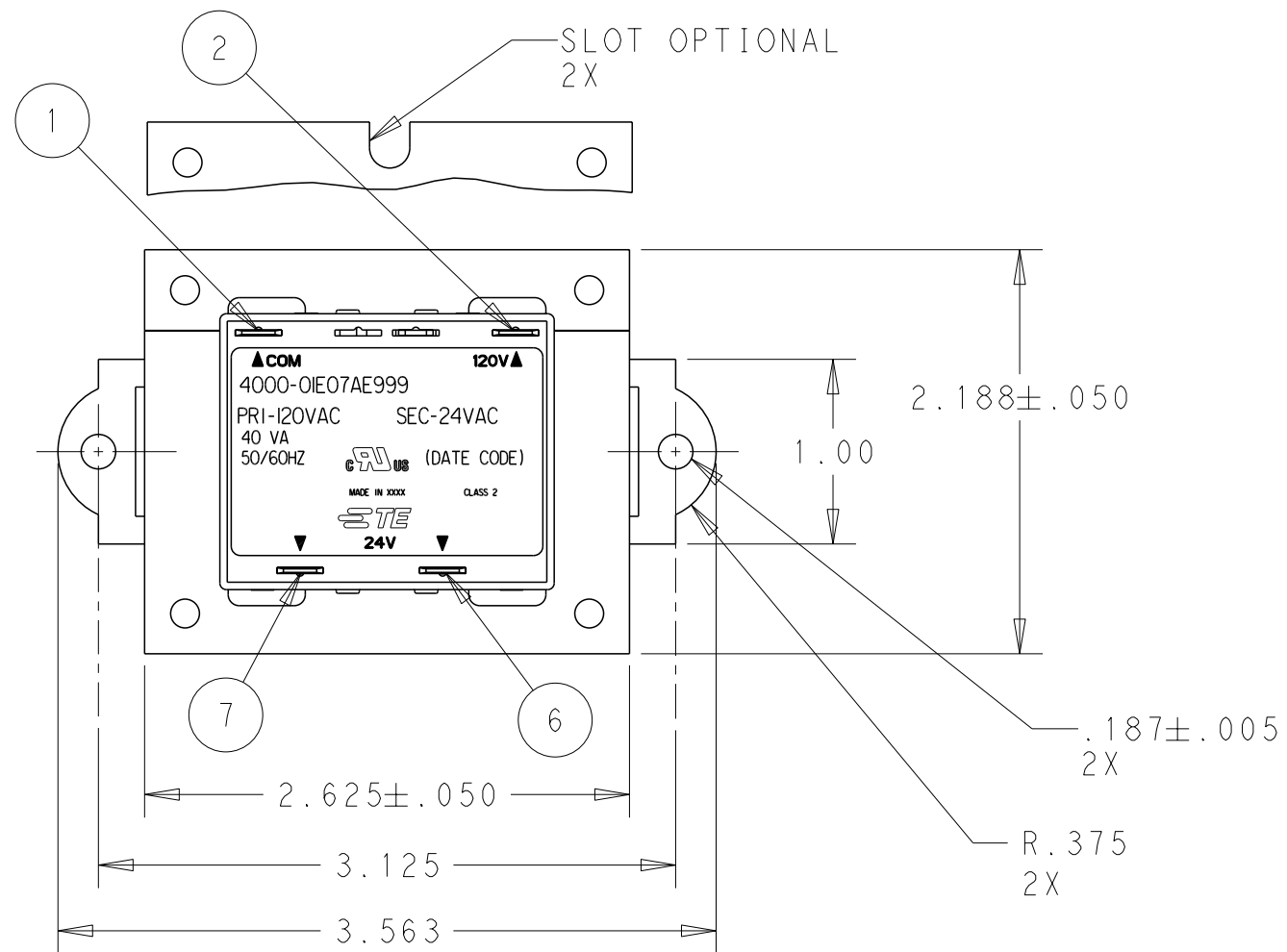
© COPYRIGHT 20 BY -

ALL RIGHTS RESERVED.

LOC GZ DIST 00

REVISIONS

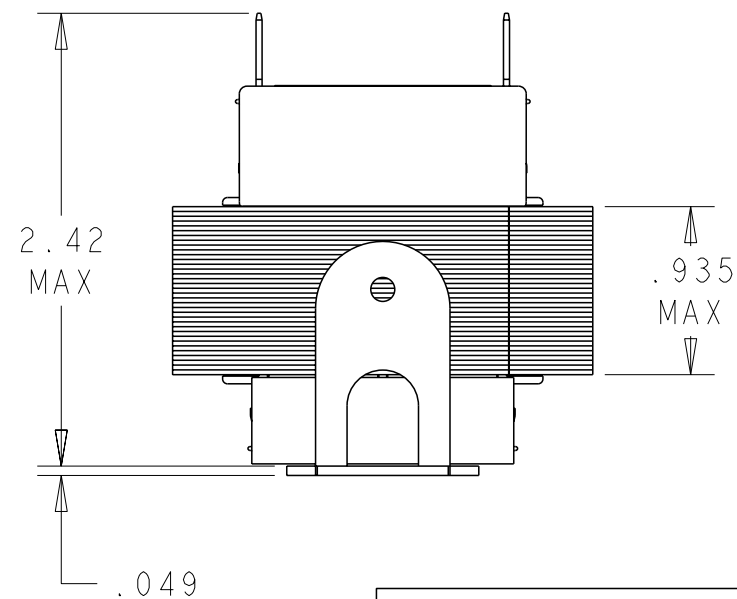
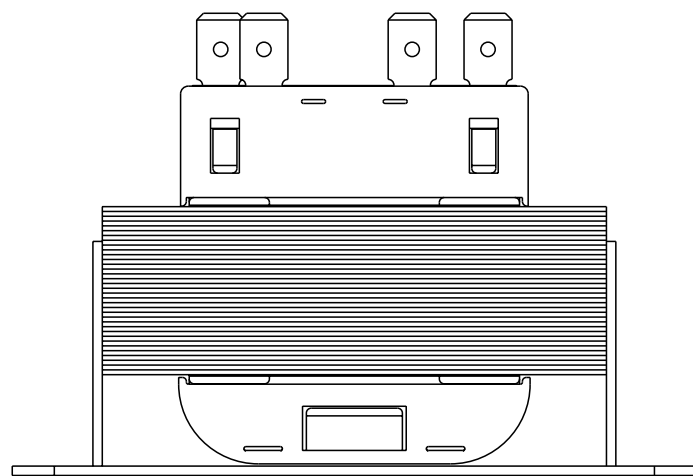
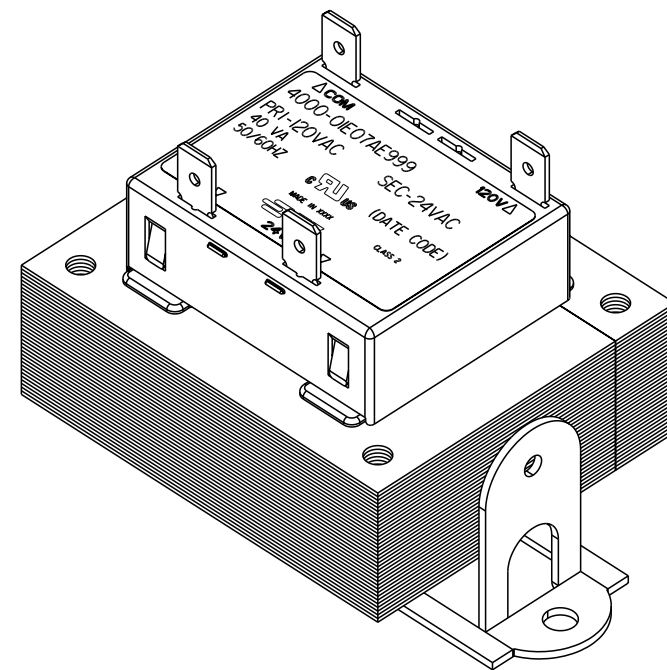
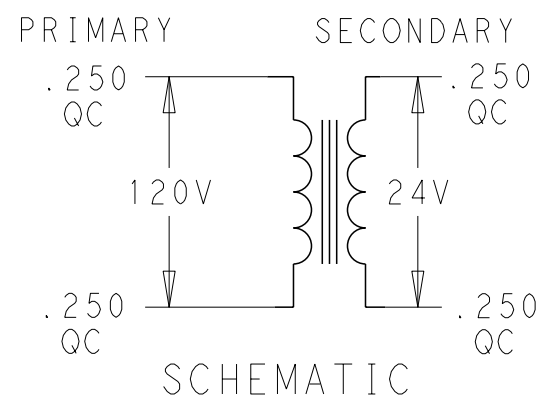
P	LTR	DESCRIPTION	DATE	DWN	APVD
D		ECR-16-001088	27JAN2016	VS	DB



CERTIFICATION: UL & CUL FILE NO. E87824

PRIMARY			SECONDARY		
TERMINAL NO.	1	2	TERMINAL NO.	6	7
VOLTAGE	COM	120	VOLTAGE	24	VAC
TERM. WIDTH	.250	.250	TERM. WIDTH	.250	.250
TERM. THICKNESS	.032	.032	TERM. THICKNESS	.032	.032

1. WINDING PROTECTION: INHERENTLY LIMITING.



1-1611453-2  
TE PART NO.

THIS DRAWING IS A CONTROLLED DOCUMENT.

DIMENSIONS: INCHES	TOLERANCES UNLESS OTHERWISE SPECIFIED:
	0 PLC ±-
	1 PLC ±.1
	2 PLC ±.03
	3 PLC ±.015
	4 PLC ±-
	ANGLES ±-
MATERIAL -	FINISH -

DWN	VIC SLACK	09JUL2014
CHK	D. BLOESCH	09JUL2014
APVD	D. BLOESCH	09JUL2014
PRODUCT SPEC	-	-
APPLICATION SPEC	-	-
WEIGHT	-	-
Customer Drawing		

TE Connectivity		NAME		TRANSFORMER OUTLINE	
		SIZE		RESTRICTED TO	
A3		CAGE CODE	DRAWING NO	-	
00779		C-4000-01E07AE999		-	
SCALE		SHEET		REV	
1:1		1 OF 1		D	