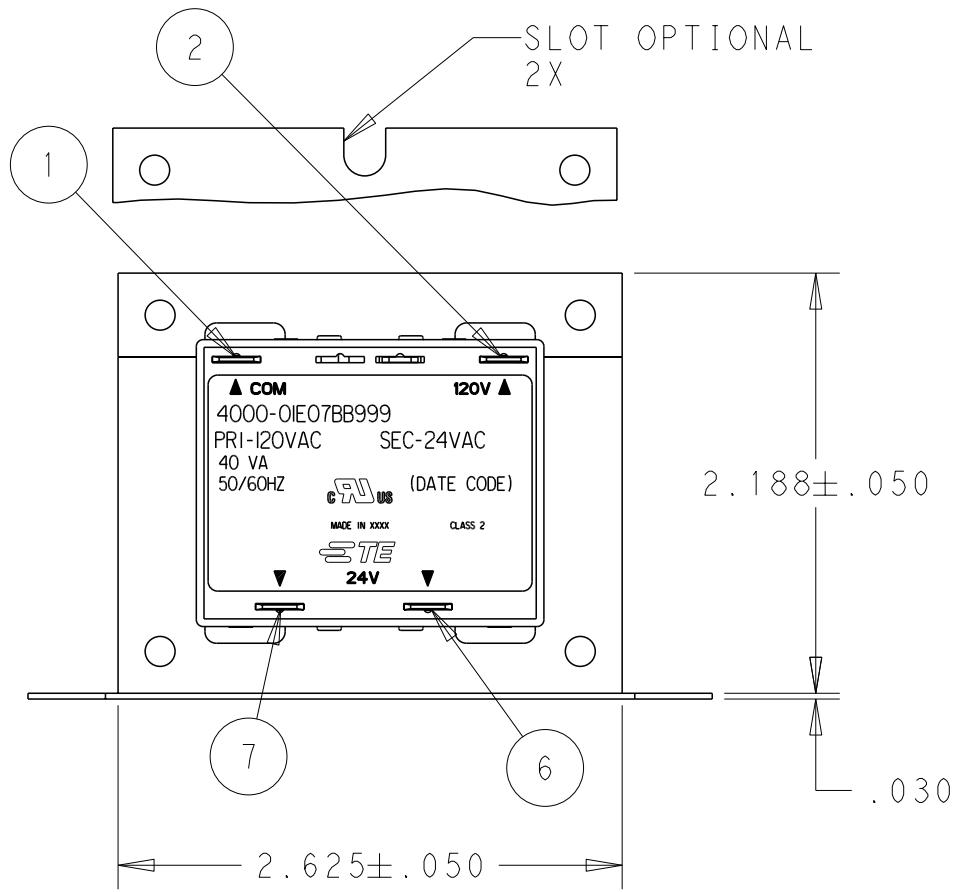


THIS DRAWING IS UNPUBLISHED. RELEASED FOR PUBLICATION 20  
 © COPYRIGHT 20 BY - ALL RIGHTS RESERVED.

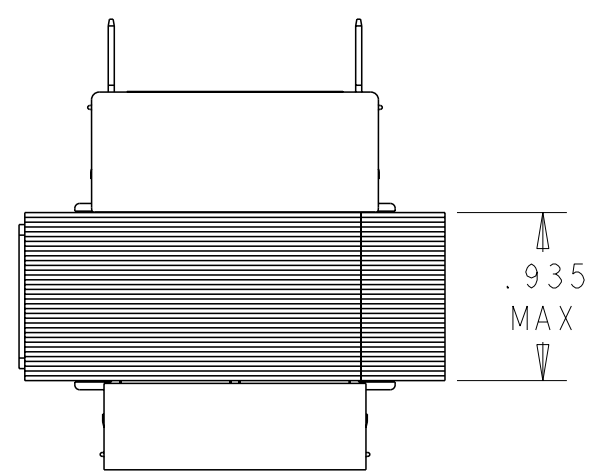
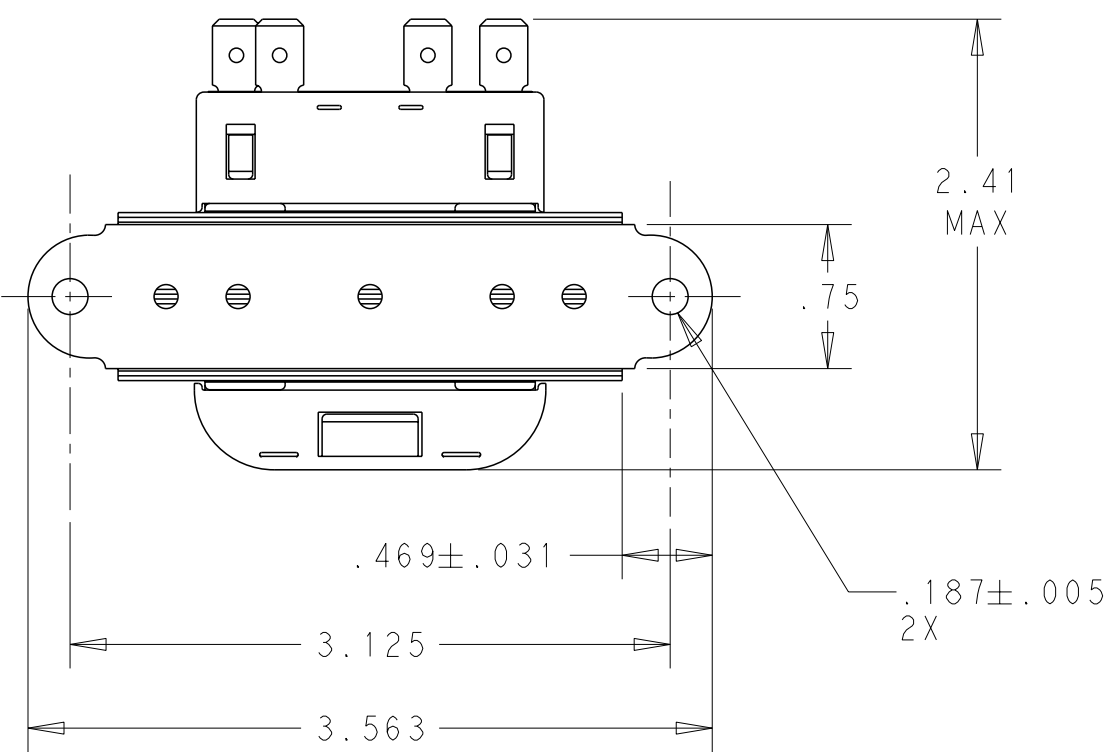
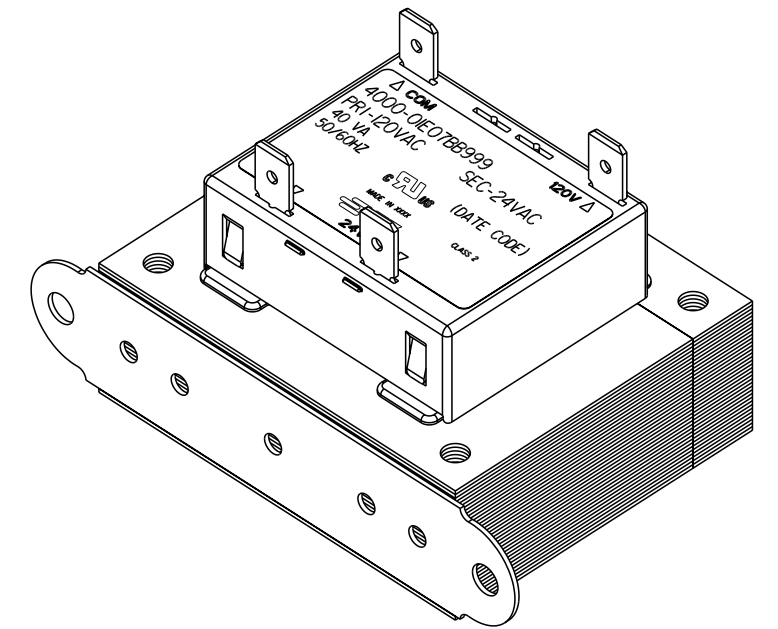
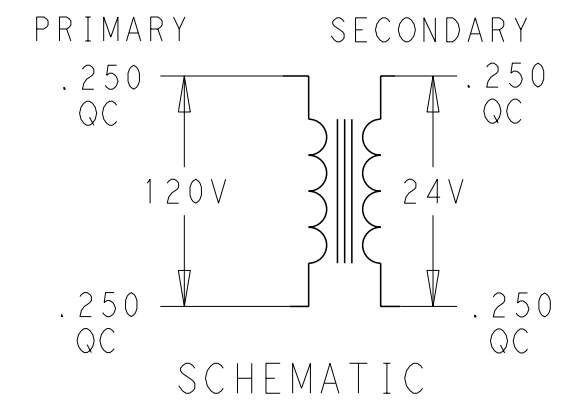
LOC	DIST	REVISIONS				
P	LTR	DESCRIPTION	DATE	DWN	APVD	
GZ	00	D	ECR-16-001088	27JAN2016	VS DB	



CERTIFICATION: UL & CUL FILE NO. E87824

PRIMARY			SECONDARY		
TERMINAL NO.	1	2	TERMINAL NO.	6	7
VOLTAGE	COM	120	VOLTAGE	24	VAC
TERM. WIDTH	.250	.250	TERM. WIDTH	.250	.250
TERM. THICKNESS	.032	.032	TERM. THICKNESS	.032	.032

1. WINDING PROTECTION: INHERENTLY LIMITING.



2-1611453-2  
TE PART NO.

THIS DRAWING IS A CONTROLLED DOCUMENT.		DWN	VIC SLACK	14JUL2014	 TE Connectivity	NAME	TRANSFORMER OUTLINE				
DIMENSIONS: INCHES		CHK	D. BLOESCH	14JUL2014			-	-			
TOLERANCES UNLESS OTHERWISE SPECIFIED:		APVD	D. BLOESCH	14JUL2014							
0 PLC ±- 1 PLC ±.1 2 PLC ±.03 3 PLC ±.015 4 PLC ±- ANGLES ±-		PRODUCT SPEC	-								
MATERIAL	-	APPLICATION SPEC	-			SIZE	CAGE CODE	DRAWING NO	RESTRICTED TO		
	FINISH	WEIGHT	-			A3	00779	C-4000-01E07BB999	-		
Customer Drawing						SCALE	1:1	SHEET	1 OF 1	REV	D