

THIS DRAWING IS UNPUBLISHED. RELEASED FOR PUBLICATION
 © COPYRIGHT BY TYCO ELECTRONICS CORPORATION. ALL RIGHTS RESERVED.

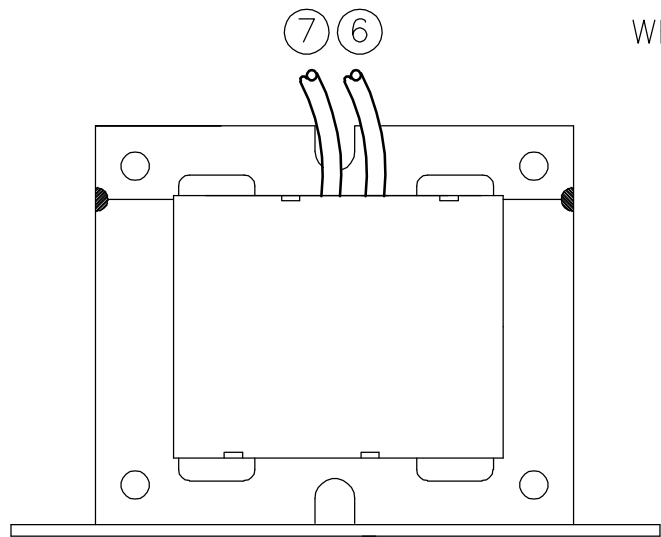
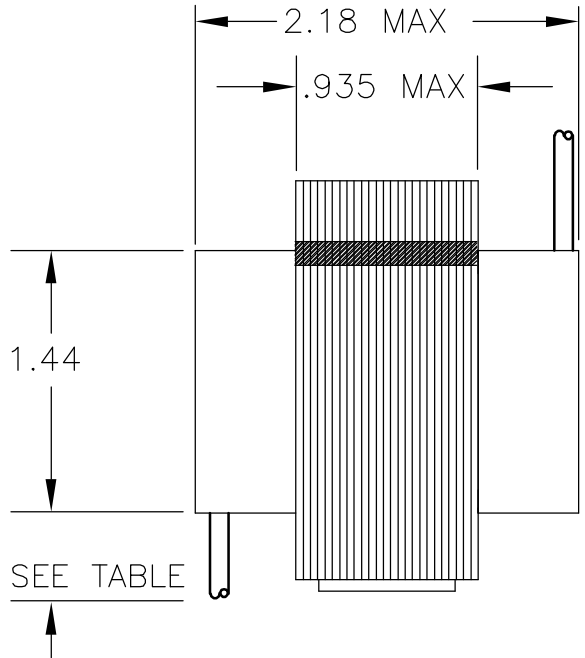
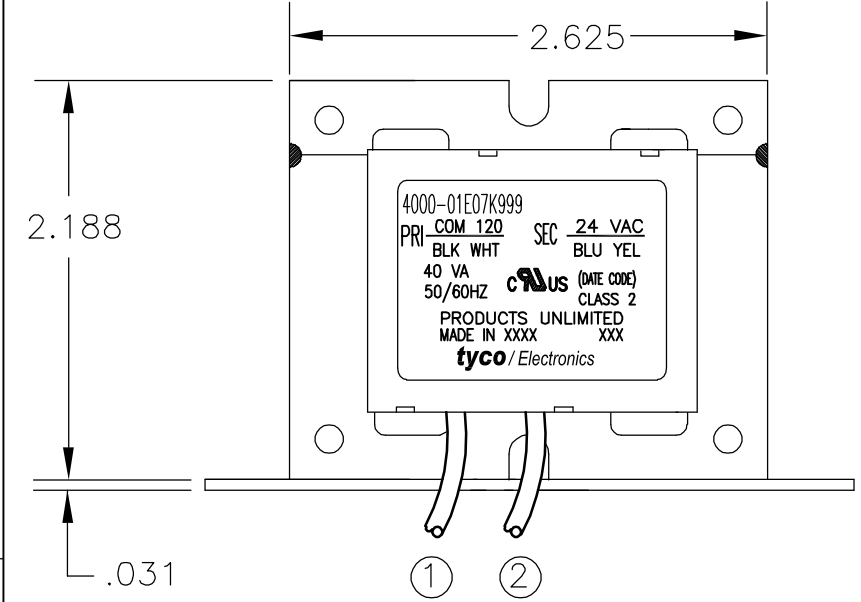
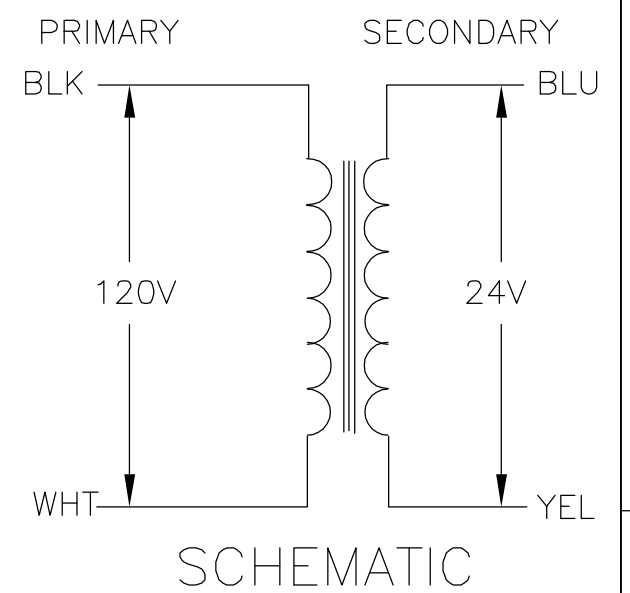
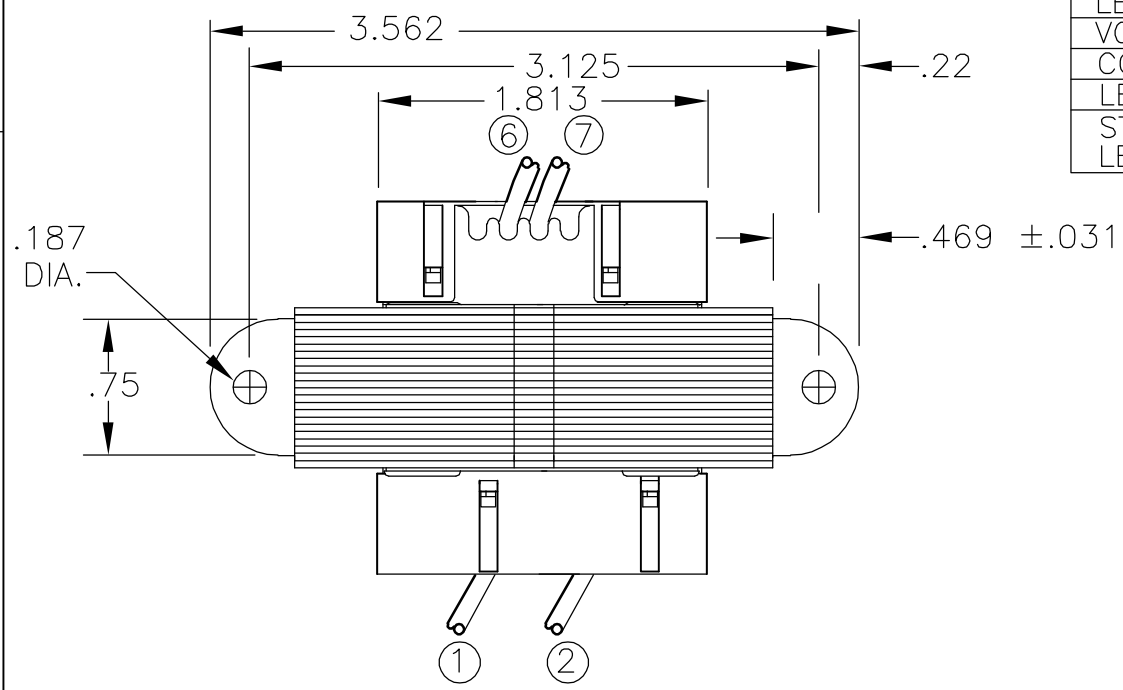
LOC	DIST	REVISIONS					
GZ	00	P	LTR	DESCRIPTION	DATE	DWN	APVD
		B		EC 0611-0155-03	16MAY2003	TCS	KH

PRIMARY					
LEAD NO.	1	2	3	4	5
VOLTAGE	COM	120			
COLOR	BLK	WHT			
LENGTH	12.0	12.0			
STRIP LENGTH	.50	.50			

NOTES
 1. DIMENSIONS FOR REFERENCE ONLY.
 2. WINDING PROTECTION—INHERENTLY LIMITING

CERTIFICATION: UL,CUL FILE NO. E87824

SECONDARY				
LEAD NO.	6	7	8	9
VOLTAGE	24	VAC		
COLOR	BLU	YEL		
LENGTH	12.0	12.0		
STRIP LENGTH	.50	.50		



TYCO PART NUMBER
 4-1611453-7

THIS DRAWING IS A CONTROLLED DOCUMENT.		DWN	22FEB1997	
		CHK	K.H.	
		APVD	-	
		PRODUCT SPEC	-	
		APPLICATION SPEC	-	
		WEIGHT	-	
		CUSTOMER DRAWING		
		SCALE	NTS	
		SHEET	1 OF 1	
		REV	B	

DIMENSIONS: INCHES		TOLERANCES UNLESS OTHERWISE SPECIFIED:	
		0 PLC	± -
		1 PLC	± -
		2 PLC	± -
		3 PLC	± -
		4 PLC	± -
		ANGLES	± -
MATERIAL		FINISH	
-		-	

Tyco Electronics Corporation		Harrisburg, PA 17105-3608	
NAME: TRANSFORMER OUTLINE P.U. STOCK			
SIZE	CAGE CODE	DRAWING NO	RESTRICTED TO
A3	00779	4000-01E07K999	-