

LOC	DIST	REVISIONS					
GZ	00	P	LTR	DESCRIPTION	DATE	DWN	APVD
			B	0611-0162-03	16MAY2003	TCS	KH

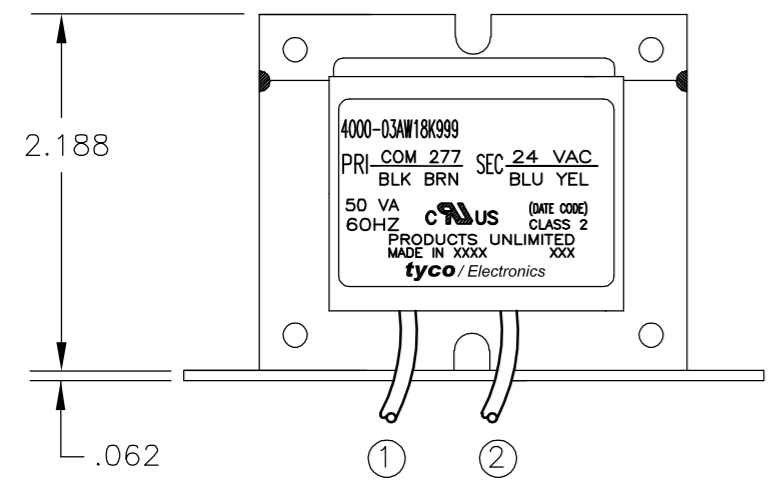
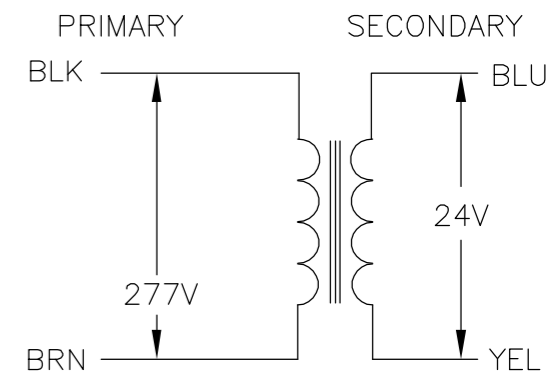
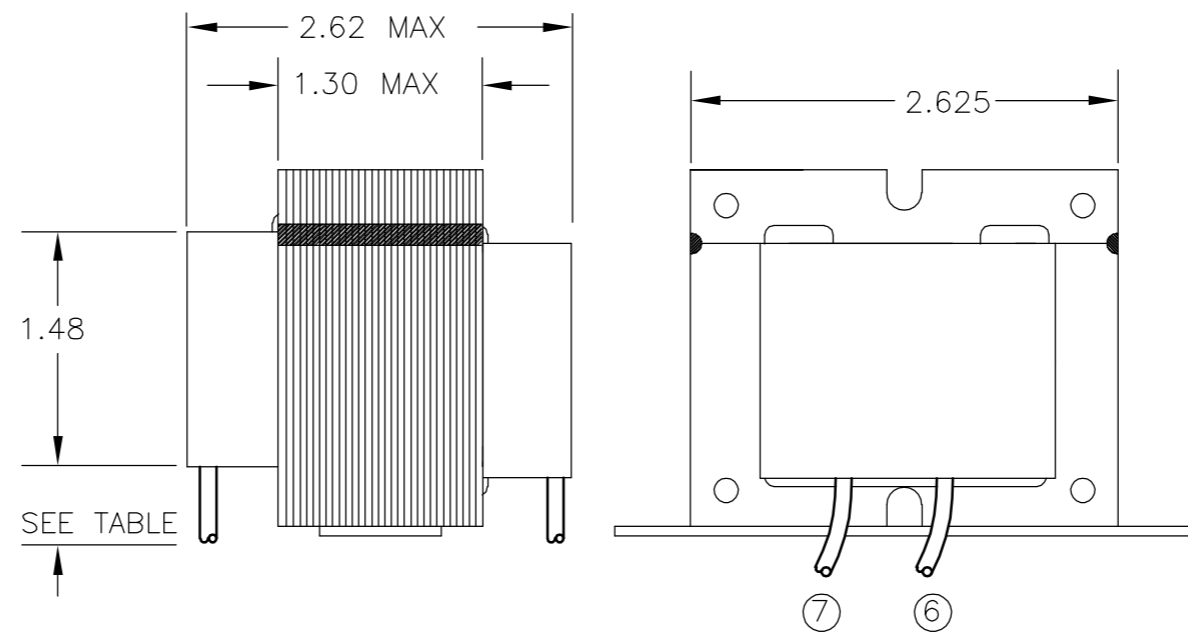
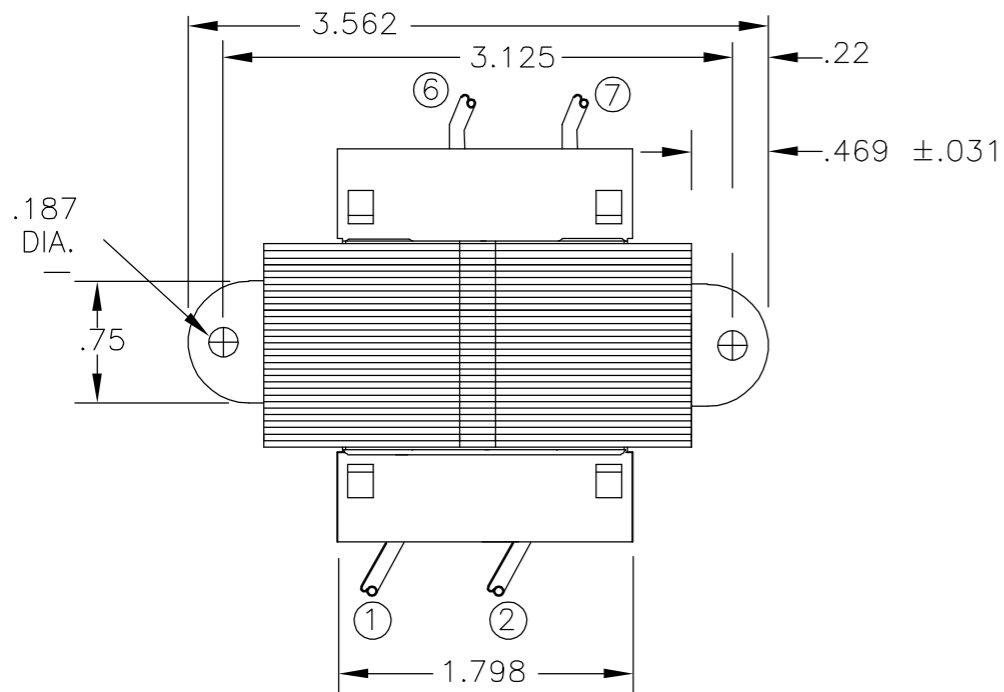
ALL LEADS 18AWG-UNLESS OTHERWISE SPECIFIED

PRIMARY		
LEAD NO.	1	2
VOLTAGE	COM	277
COLOR	BLK	BRN
LENGTH	12.0	12.0
STRIP LENGTH	.50	.50

- NOTES
1. DIMENSIONS FOR REFERENCE ONLY.
 2. ALL LEADS +1"/-0" TOL.
 3. STRIP TOL. ±1/32
 4. WINDING PROTECTION-INHERENTLY LIMITING

CERTIFICATION:
UL, CUL FILE NO. E87824

SECONDARY				
LEAD NO.	6	7	8	9
VOLTAGE	24	VAC		
COLOR	BLU	YEL		
LENGTH	12.0	12.0		
STRIP LENGTH	.50	.50		



TYCO PART NUMBER
3-1611461-3

THIS DRAWING IS A CONTROLLED DOCUMENT.		DWN	16OCT1996	
DIMENSIONS: INCHES		CHK	-	
TOLERANCES UNLESS OTHERWISE SPECIFIED:		APVD	-	
0 PLC ± -		PRODUCT SPEC	-	
1 PLC ± -		APPLICATION SPEC	-	
2 PLC ± -		WEIGHT	-	
3 PLC ± -		Tyco Electronics Corporation Harrisburg, PA 17105-3608		
4 PLC ± -		NAME		
ANGLES ± -		-		
MATERIAL		TRANSFORMER OUTLINE		
FINISH		SIZE	CAGE CODE	DRAWING NO
-		A3	00779	C=4000-03AW18K999
		CUSTOMER DRAWING		RESTRICTED TO
		SCALE	SHEET	REV
		NONE	1 OF 1	B