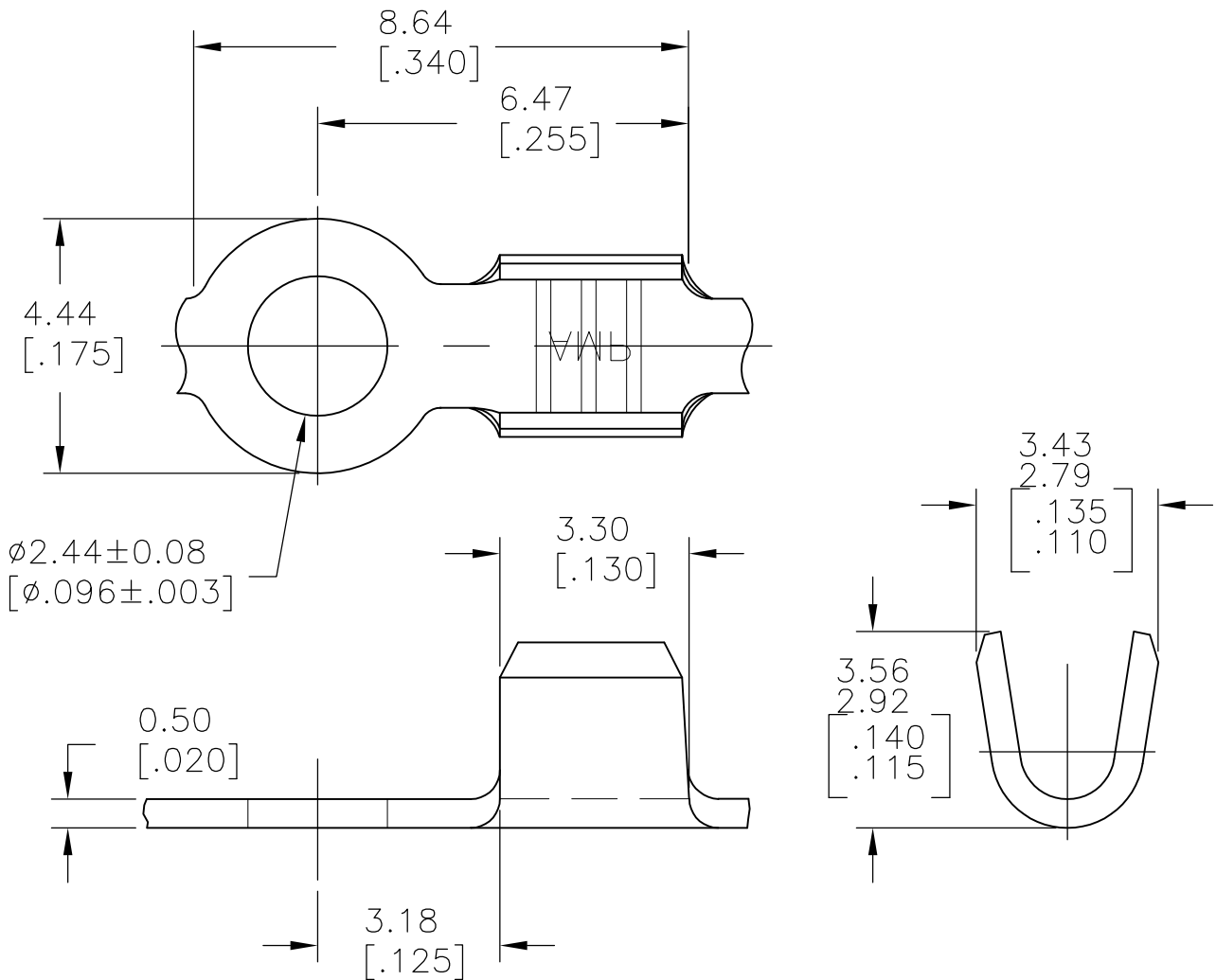


LOC	DIST	REVISIONS					
—	—	P	LTR	DESCRIPTION	DATE	DWN	APVD
		A		REDRAWN PER ECR-10-019776	22OCT10	HMR	PD

- 1 REVERSE REEL FOR ARTOS MACHINE
- 2 CONTINUOUS STRIP, ON REELS
- 3 WIRE SIZE: #20-16 AWG



THIS DRAWING IS UNPUBLISHED.

ALL INTERNATIONAL RIGHTS RESERVED.

COPYRIGHT BY TYCO ELECTRONICS CORPORATION.

40816  
PART NUMBER

DIMENSIONS: mm [INCHES]	DWN	RAGHAVENDRA	22OCT10	MATERIAL	BRASS	FINISH	TIN
	CHK	DESANTIS PETER	22OCT10	Tyco Electronics Corporation Harrisburg, PA 17105-3608			
TOLERANCES UNLESS OTHERWISE SPECIFIED:	APVD	DESANTIS PETER	22OCT10				
0 PLC ± -	PRODUCT SPEC	NAME RING					
1 PLC ± -	—						
2 PLC ± -	APPLICATION SPEC	SIZE CAGE CODE DRAWING NO RESTRICTED TO					
3 PLC ± .015	—	A4 00779 C-40816 —					
4 PLC ± -	WEIGHT	—					
ANGLES ± 1°	CUSTOMER DRAWING						
SCALE						8:1	SHEET 1 OF 1
REV						A	