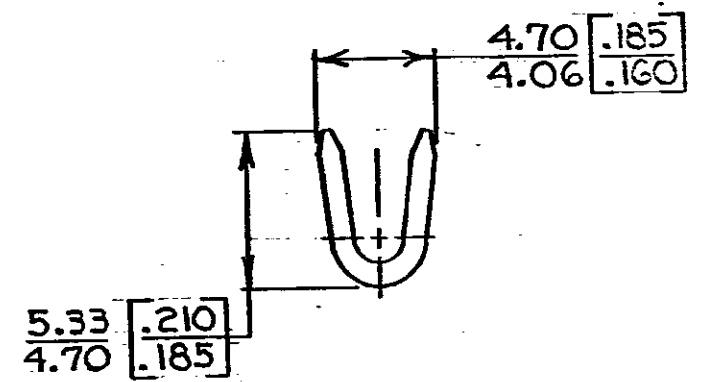
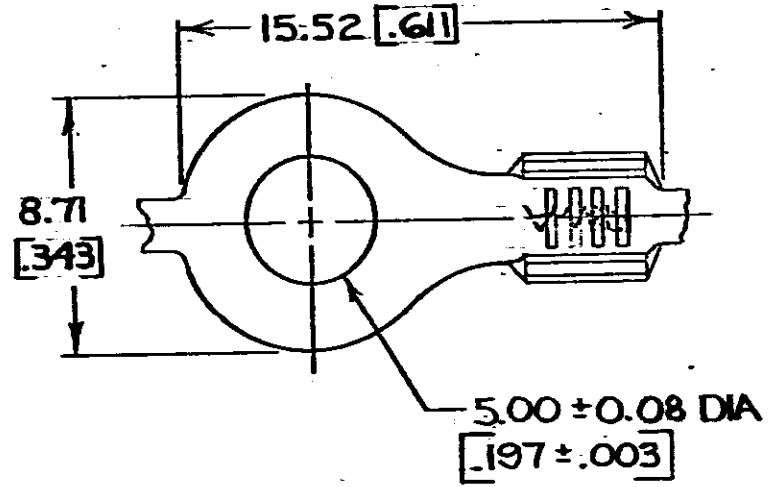


DRAWING MADE IN THIRD ANGLE PROJECTION

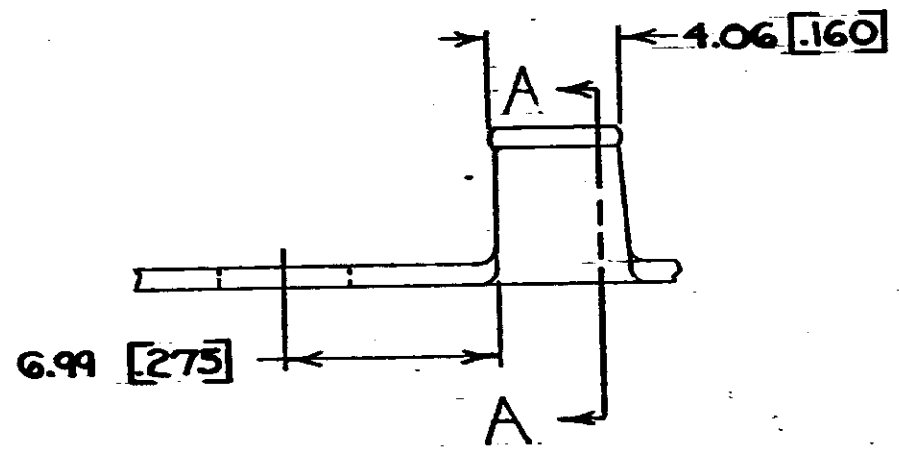
© COPYRIGHT 1965 BY AMP INCORPORATED, HARRISBURG, PA.
 ALL INTERNATIONAL RIGHTS RESERVED. AMP INCORPORATED PRODUCTS
 COVERED BY U. S. AND FOREIGN PATENTS AND/OR PATENTS PENDING.

1 LOC AF DIST 50

REVISIONS					
P/F	ZONE	LTR	DESCRIPTION	DATE	APPROVED
✓		S	REDRAWN & REVISED A-3943	9/20/78	CEP
✓		T	REV PER AF-6785	7/2/80	PMF 64



SECT A-A



#10	Q8-2.0 mm ² [18-14]	TIN	0.76 [.030] BRASS	40977
STUD SIZE	WIRE SIZE	FINISH	MATERIAL	PART NO

UNLESS OTHERWISE SPECIFIED DIMENSIONS ARE IN <u>mm</u> TOLERANCES ON: DECIMALS ±0.30[0.05] ANGLES 1°	CONTRACT NO		AMP INCORPORATED Harrisburg, Pa.	
	DR	4-76-78		
	CHK	R. P. Frantz 7-17-78	NAME	
	MATERIAL	APPD R. P. Frantz 8-1-78	RING	
SEE TABLE	APPD G. Z. L. 8-1-78	SIZE	CODE IDENT NO	DRAWING NO
FINISH	OTHER APPD	B	00779	40977
SEE TABLE		SCALE		SHEET

1. CONTINUOUS STRIP, ON REELS.
2. DIMENSIONS IN BRACKETS ARE IN INCHES.

METRIC

CUSTOMER DRAWING