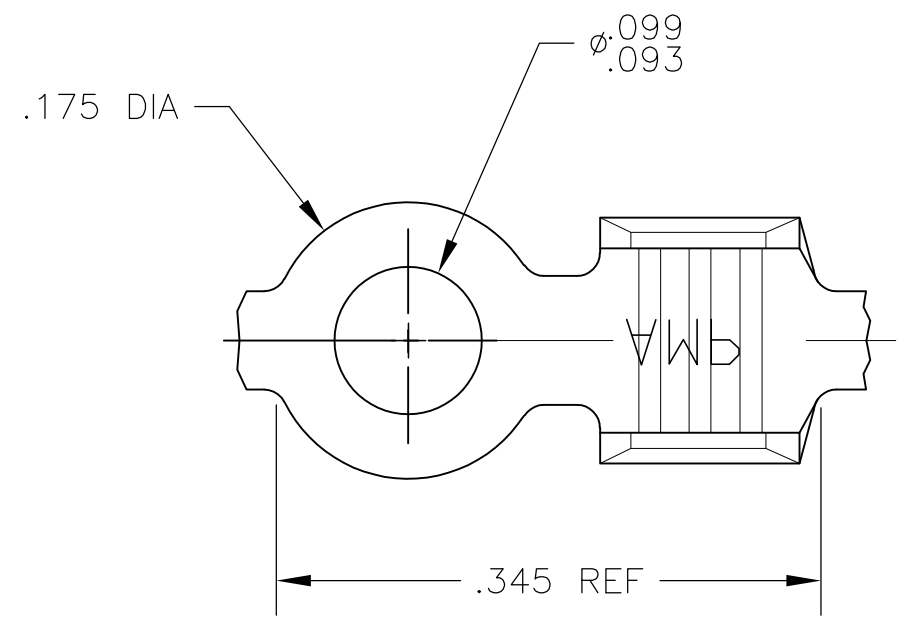
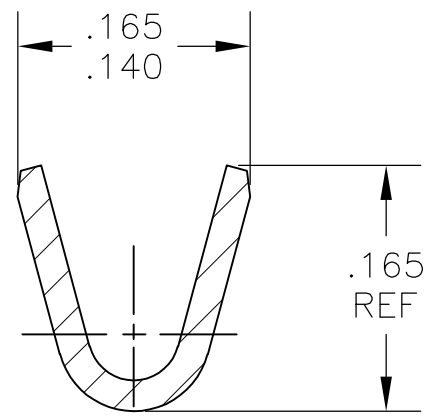
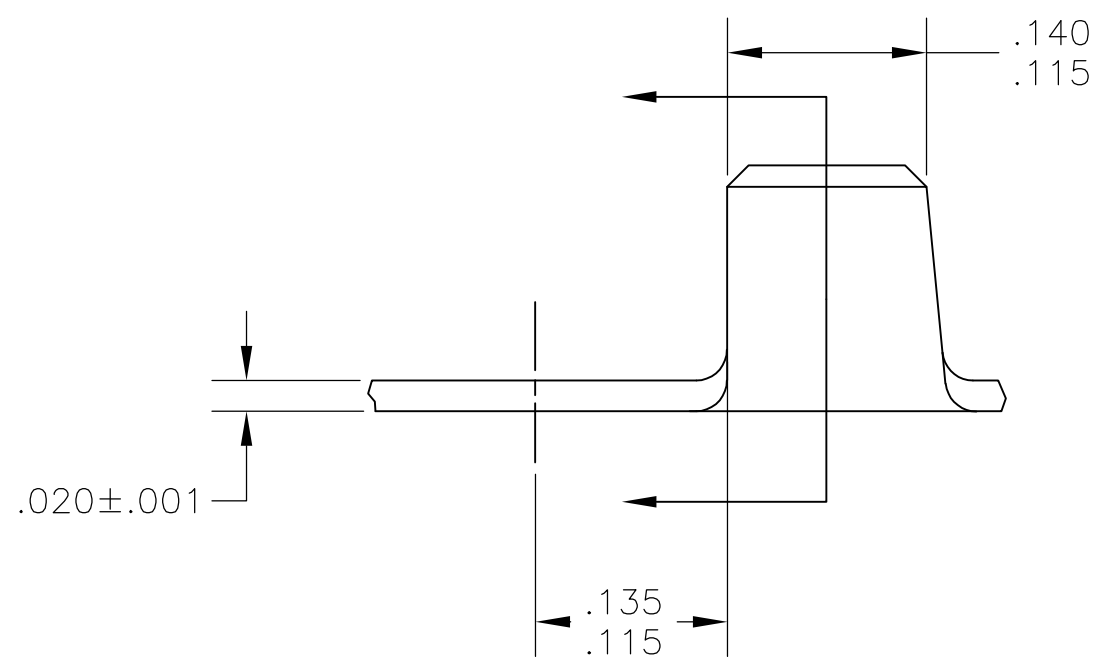


THIS DRAWING IS UNPUBLISHED. RELEASED FOR PUBLICATION
 © COPYRIGHT BY TYCO ELECTRONICS CORPORATION. ALL RIGHTS RESERVED.

LOC	DIST	REVISIONS					
		P	LTR	DESCRIPTION	DATE	DWN	APVD
G	50		L1	REDRAWN PER ECR 08-027116	27OCT08	JR	DD



- 1 CONTINUOUS STRIP ON REELS
- 2 WIRE SIZE IS #18-#14 AWG



41006
PART NO

THIS DRAWING IS A CONTROLLED DOCUMENT.		DWN jr_ruth 27OCT08	Tyco Electronics Corporation Harrisburg, PA 17105-3608	
DIMENSIONS: INCHES		CHK D DECKER 27OCT08		
		APVD D DECKER 27OCT08	NAME RING	
TOLERANCES UNLESS OTHERWISE SPECIFIED:		PRODUCT SPEC	-	
0 PLC ± -		APPLICATION SPEC	-	
1 PLC ± -		WEIGHT	-	
2 PLC ± -		SIZE	A3	
3 PLC ± .010		CAGE CODE	00779	
4 PLC ± -		DRAWING NO	C-41006	
ANGLES ± 5°		RESTRICTED TO	-	
MATERIAL	FINISH	CUSTOMER DRAWING		
082 BRASS	NONE	SCALE	8:1	
		SHEET	1 OF 1	
		REV	L1	