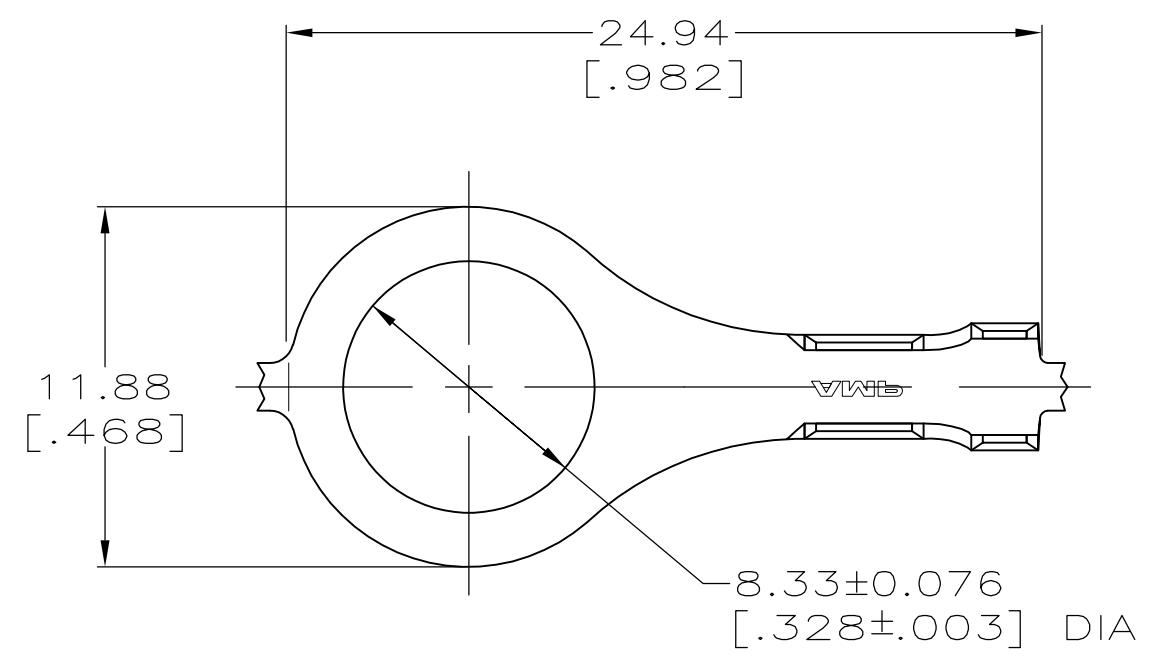
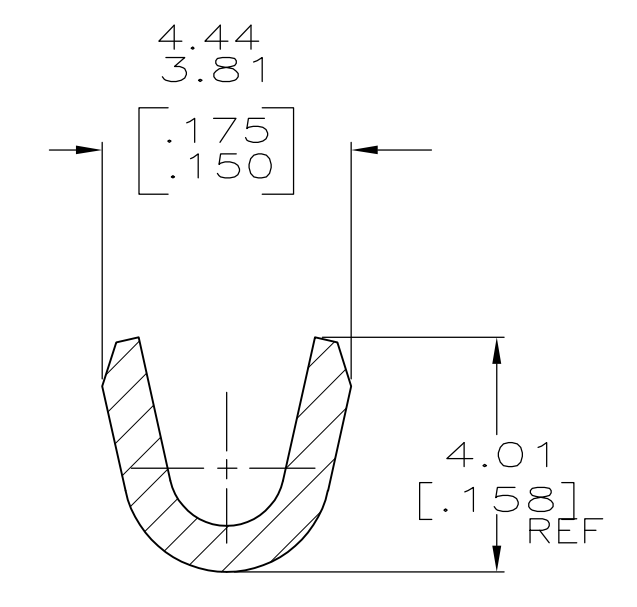
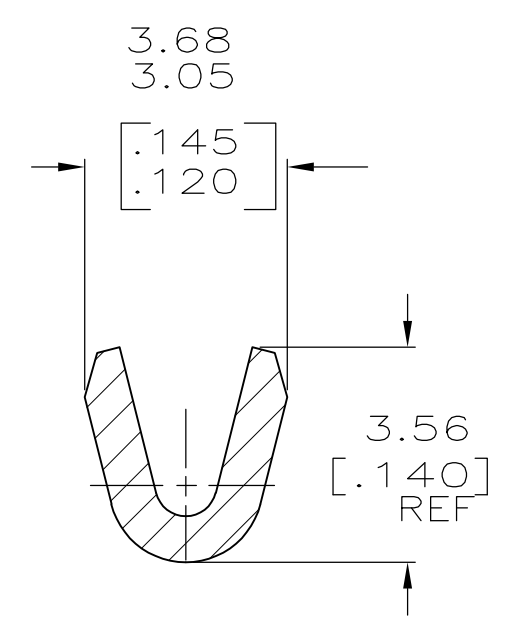
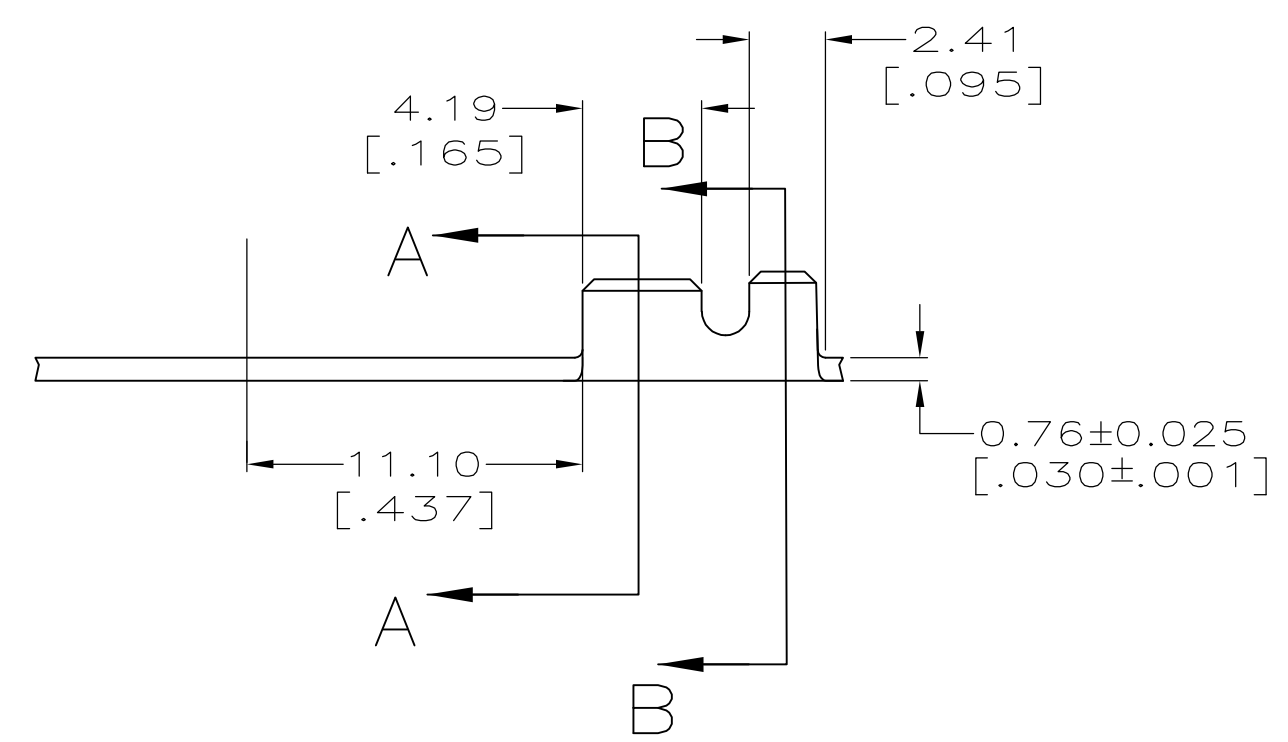


THIS DRAWING IS UNPUBLISHED. RELEASED FOR PUBLICATION
 © COPYRIGHT BY TYCO ELECTRONICS CORPORATION. ALL INTERNATIONAL RIGHTS RESERVED.

LOC	DIST	REVISIONS			
P	LTR	DESCRIPTION	DATE	DWN	APVD
AF	50	J1	REVISED PER ECR-10-015031	29JUL10	HMR PD



- CONTINUOUS STRIP ON REELS AT A FEED OF 27.68 ± 0.13 [.1 .090±.005].
- WIRE RANGE IS 22-18 AWG.
- INSULATION RANGE is $1.78-2.54$ [.070-.100] DIA



41013
PART NO.

THIS DRAWING IS A CONTROLLED DOCUMENT.		DWN	JR RUTH	10/5/98	Tyco Electronics	Tyco Electronics Corporation	
DIMENSIONS: mm [INCHES]		CHK	MS FEHER	10/5/98		Harrisburg, PA 17105-3608	
TOLERANCES UNLESS OTHERWISE SPECIFIED:		APVD	J DUNCAN	10/5/98	NAME		
0 PLC ± -		PRODUCT SPEC		TERMINAL, RING			
1 PLC ± -		APPLICATION SPEC		SIZE	CAGE CODE	DRAWING NO	RESTRICTED TO
2 PLC ± 0.38 [.015]		MATERIAL		A300779		C-41013	-
3 PLC ± -		FINISH		CUSTOMER DRAWING		SCALE	SHEET
4 PLC ± -		082 BRASS		TIN		4:1	1 OF 1
ANGLES ± -		WEIGHT		-		REV	J1