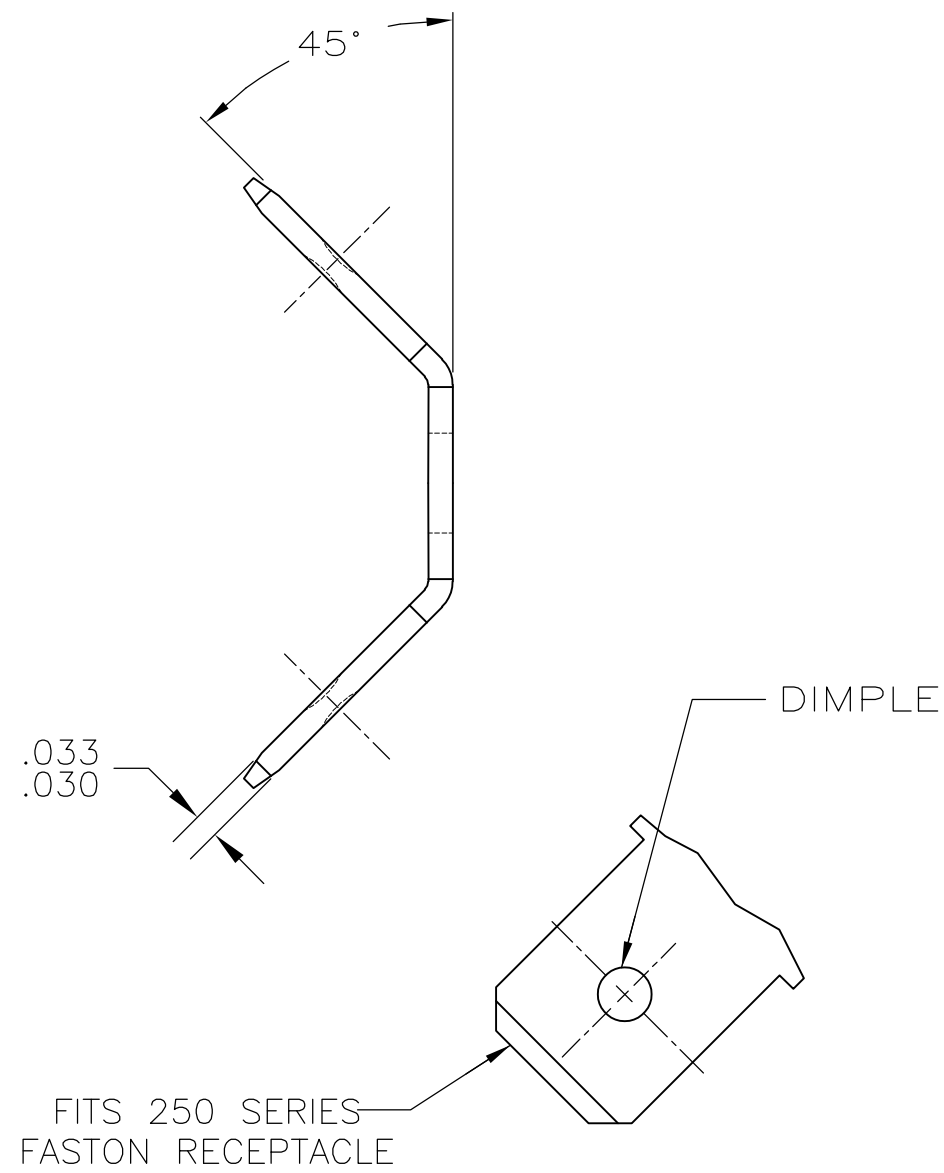
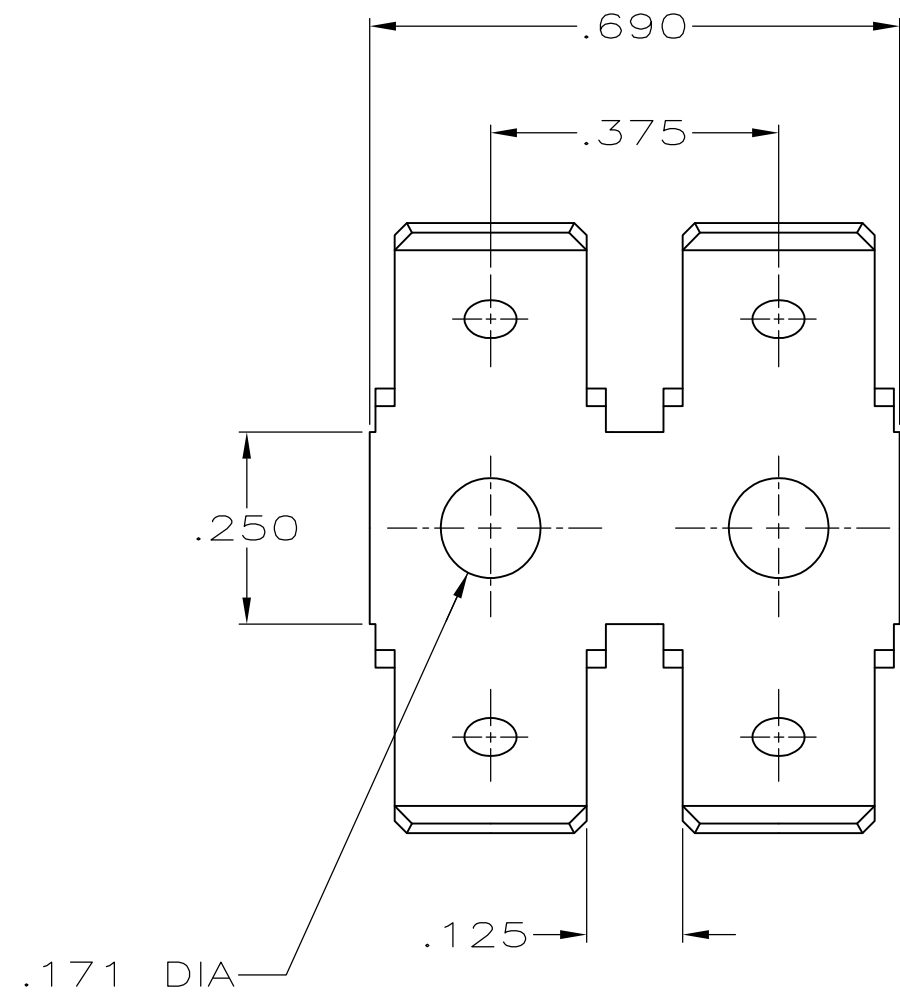


THIS DRAWING IS UNPUBLISHED. RELEASED FOR PUBLICATION  
 © COPYRIGHT - By - ALL RIGHTS RESERVED.

LOC	DIST	REVISIONS					
AF	50	P	LTR	DESCRIPTION	DATE	DWN	APVD
			Y	REVISED PER ECR-13-011489	07DEC2013	KH	PD

1 PARTS SUPPLIED IN PAIRS OF 2.



41617  
PART NO

THIS DRAWING IS A CONTROLLED DOCUMENT.		DWN	JR RUTH	4/28/89	<b>TE Connectivity</b>		
DIMENSIONS: INCHES		CHK	MS FEHER	5/1/89			
		TOLERANCES UNLESS OTHERWISE SPECIFIED:		APVD	TAB, FASTON™.250 SERIES		
MATERIAL		FINISH		PRODUCT SPEC	RESTRICTED TO		
BRASS		-		APPLICATION SPEC	SIZE	CAGE CODE	DRAWING NO
				WEIGHT	A3 00779		C-41617
CUSTOMER DRAWING				SCALE	4:1	SHEET	1 OF 1
				REV	Y		