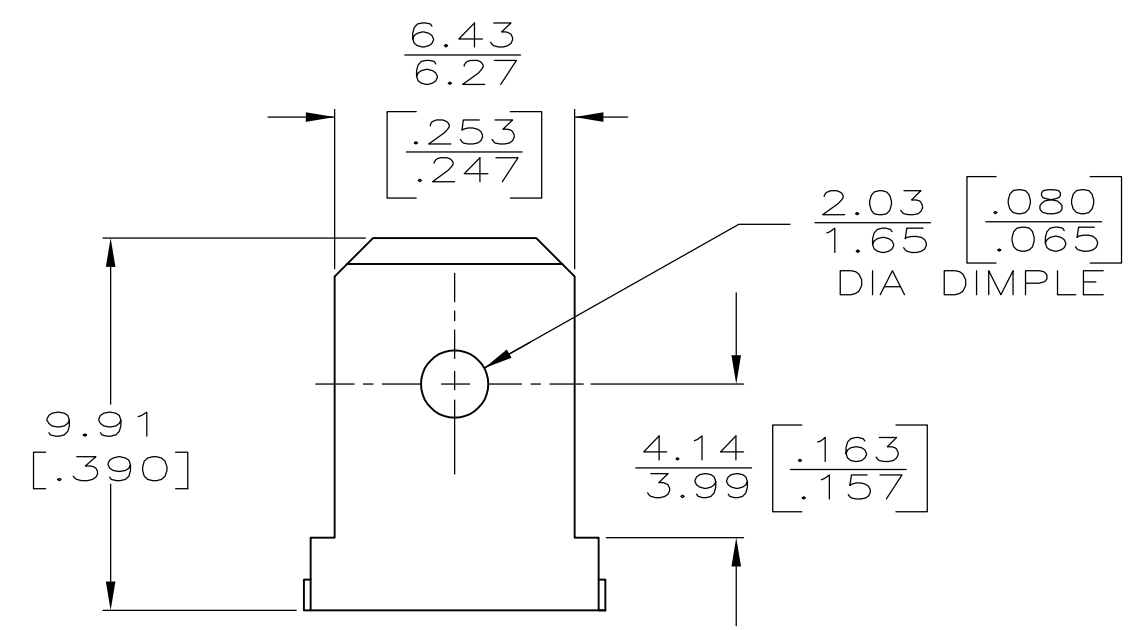
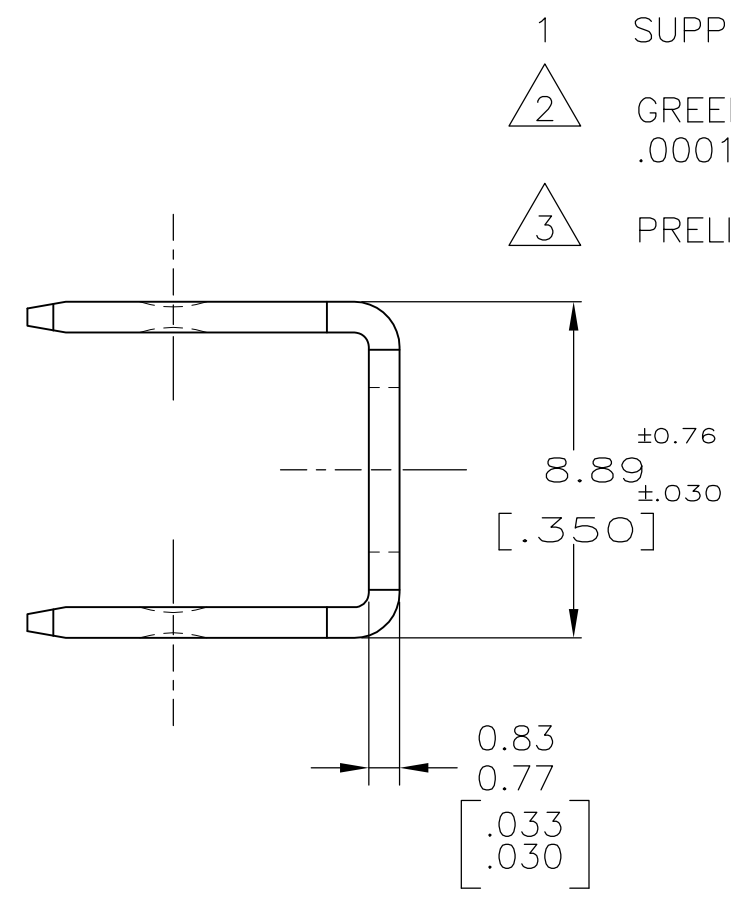
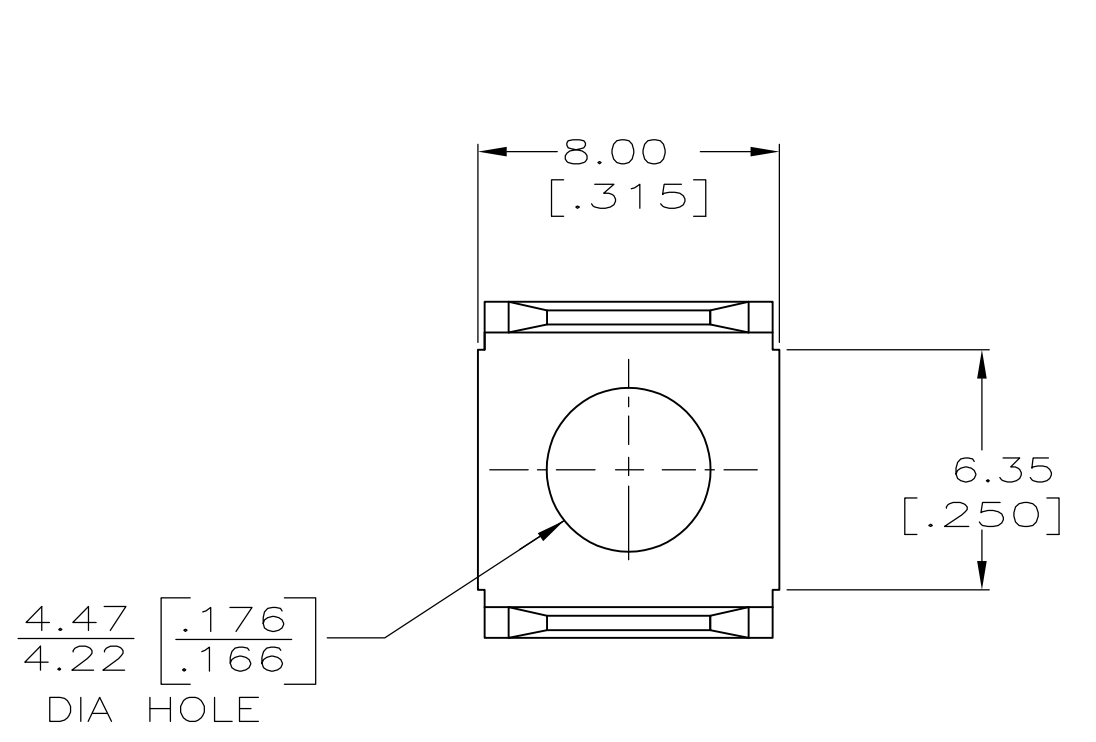


THIS DRAWING IS UNPUBLISHED. RELEASED FOR PUBLICATION  
 © COPYRIGHT - By - ALL RIGHTS RESERVED.

LOC	DIST	REVISIONS			
P	LTR	DESCRIPTION	DATE	DWN	APVD
AF	50				
		REVISD PER ECR-13-011489	07DEC2013	KH	PD



- 1 SUPPLIED IN LOOSE PIECE.
- 2 GREEN DYE OVER ZINC .000100 MIN PLATING.
- 3 PRELIMINARY - NOT FOR PRODUCTION.

2	3	41619-3
-		41619
FINISH		PART NO

THIS DRAWING IS A CONTROLLED DOCUMENT.		DWN JR RUTH 12/2/91	<b>STE</b> TE Connectivity	
DIMENSIONS: mm [INCHES]		CHK MS FEHER 12/2/91		
TOLERANCES UNLESS OTHERWISE SPECIFIED:		APVD MEYERS 12/2/91	NAME	
0 PLC ± -		PRODUCT SPEC	TAB, FASTON, 6.35 [.250] SERIES	
1 PLC ± -		APPLICATION SPEC	SIZE	CAGE CODE
2 PLC ± -		WEIGHT	A3	00779
3 PLC ± 0.38 [.015]		CUSTOMER DRAWING	DRAWING NO	C-41619
4 PLC ± -		SCALE	5:1	SHEET 1 OF 1
ANGLES ± -		RESTRICTED TO	-	
MATERIAL BRASS	FINISH SEE TABLE	REV	AH	