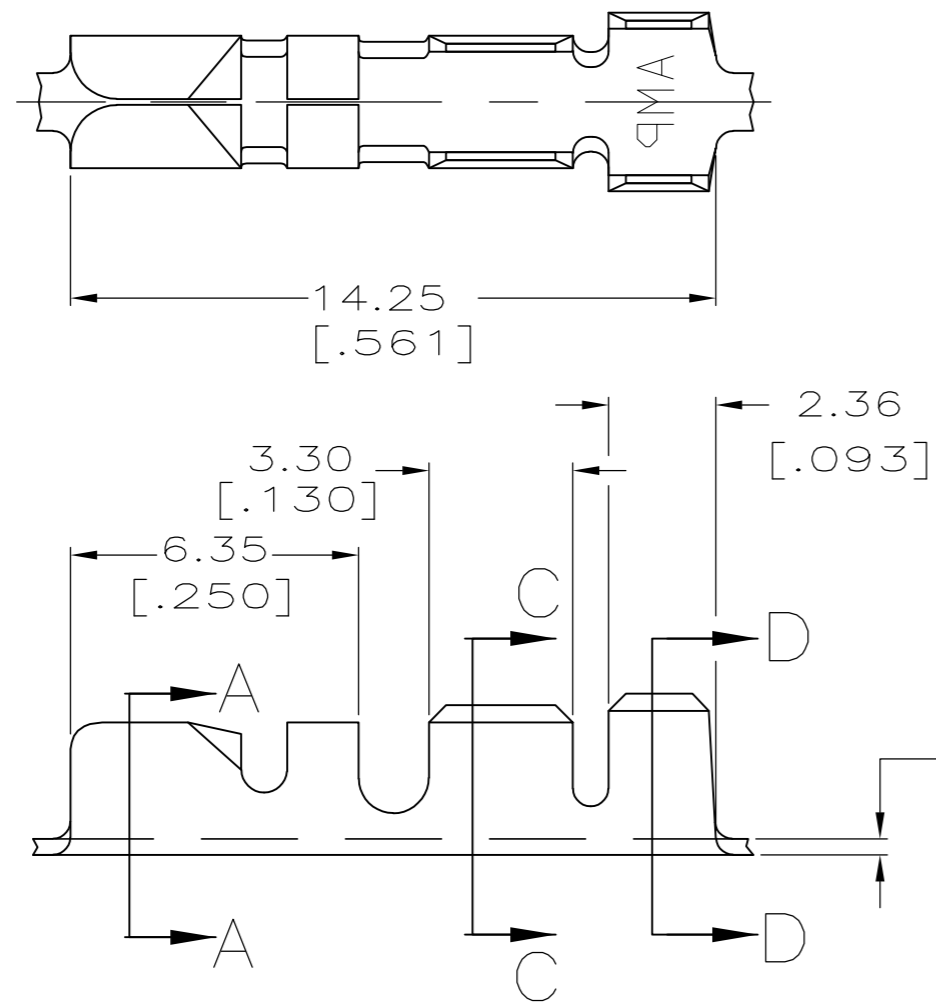


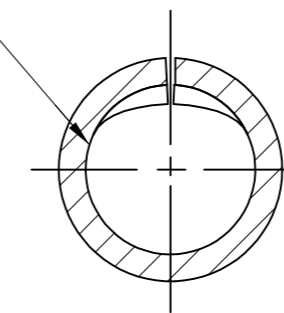
THIS DRAWING IS UNPUBLISHED. RELEASED FOR PUBLICATION  
 © COPYRIGHT BY TYCO ELECTRONICS CORPORATION. ALL RIGHTS RESERVED.

| LOC |     | DIST        |                           | REVISIONS |      |    |  |
|-----|-----|-------------|---------------------------|-----------|------|----|--|
| P   | LTR | DESCRIPTION | DATE                      | DWN       | APVD |    |  |
| AF  | 50  | J           | REVISED PER ECR-07-017666 | 30JUL07   | MF   | DD |  |

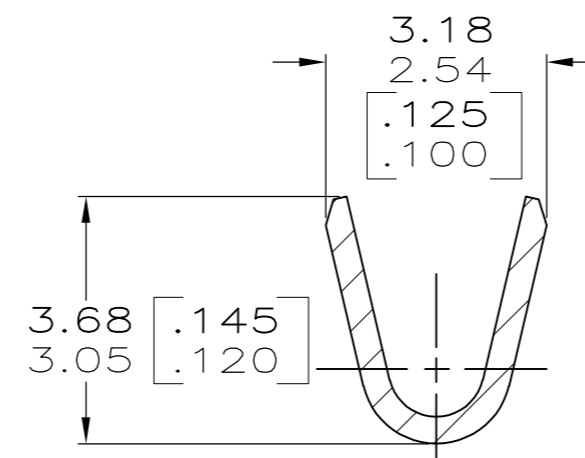
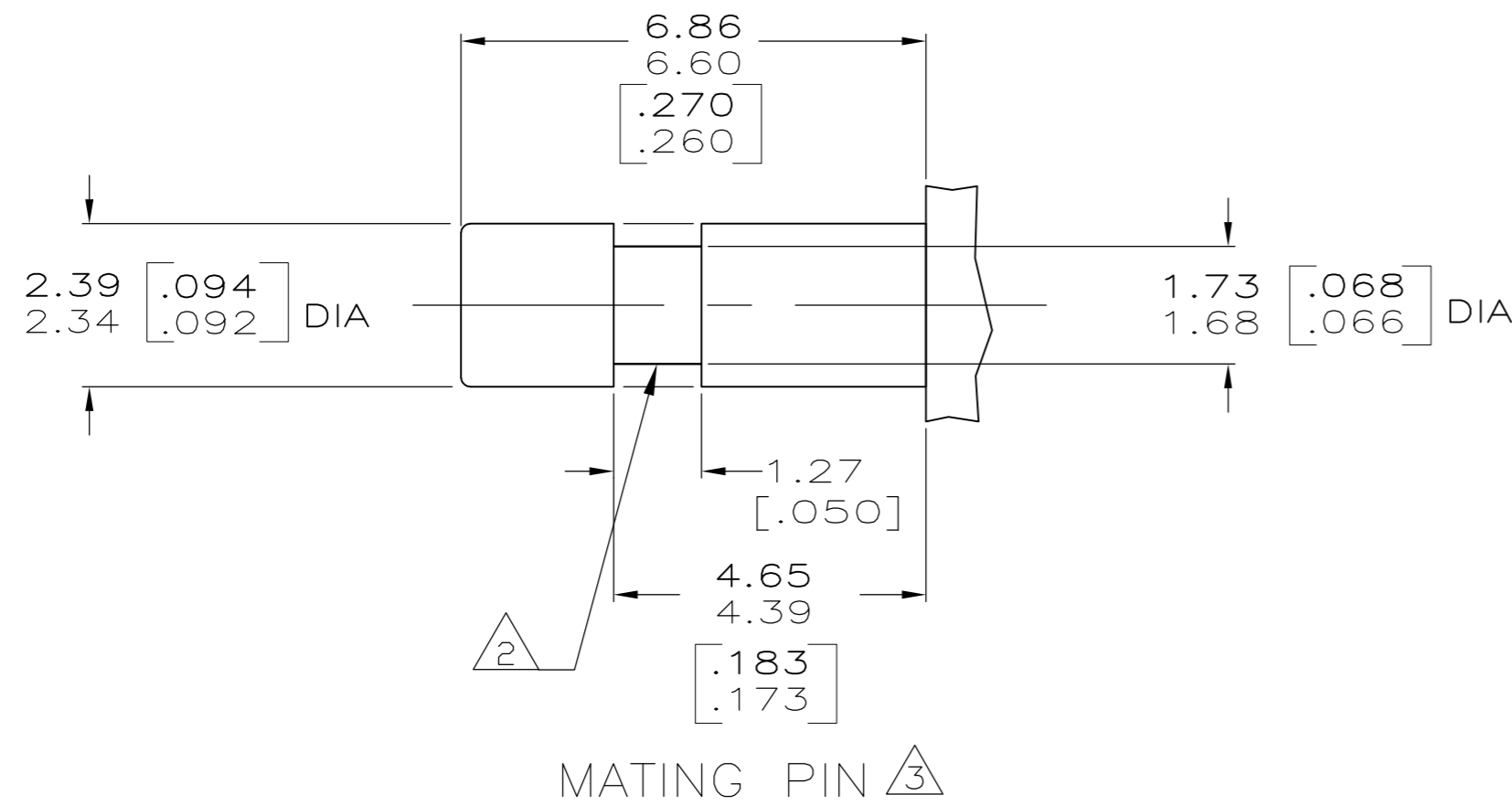
- 1 CONTINUOUS STRIP ON REELS.
- 2 INDENT IS OPTIONAL ON PIN.
- 3 MATING PIN IS TIN PLATED.
- 4 METHOD OF FASTENING PIN TO BE DETERMINED BY CUSTOMER.
- 5 WIRE RANGE: 0.8-1.3mm<sup>2</sup> [#18-#16] AWG.
- 6 INSULATION RANGE: 2.29-3.05mm [.090-.120] DIA.
- 7 PRELIMINARY - NOT FOR PRODUCTION.



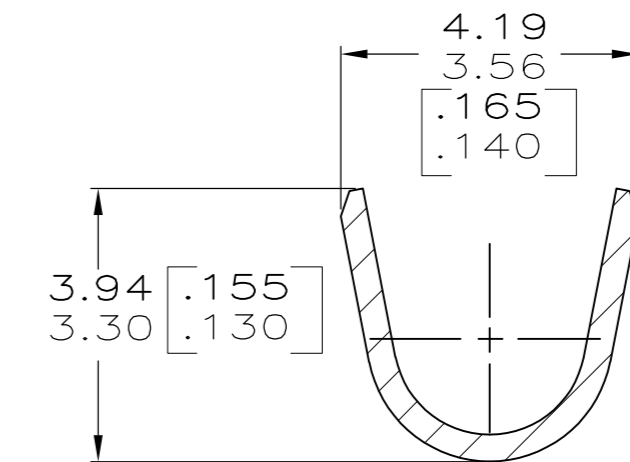
FITS 2.36 [.093] DIA PIN



SECTION A-A  
SCALE 10:1



SECTION C-C  
SCALE 10:1



SECTION D-D  
SCALE 10:1

|          |                                    |                     |           |
|----------|------------------------------------|---------------------|-----------|
|          | 0.00381 [.000150] MIN NICKEL PLATE | H04 BRASS           | 7 42101-4 |
| OBSOLETE | 0.002032 [.000080] MIN TIN PLATE   | H04 PHOSPHOR BRONZE | 42101-3   |
|          | 0.002032 [.000080] MIN TIN PLATE   | H04 BRASS           | 42101-2   |
| OBSOLETE | -                                  | H04 BRASS           | 42101-1   |

| FINISH                                 |  | MATERIAL                 |  | PART NUMBER   |  |
|--|--|--------------------------|--|---|--|
| THIS DRAWING IS A CONTROLLED DOCUMENT. |  | DWN M.S. FEHER 30JUL2006 |  | 7 42101-4   |  |
| CHK D.F. DECKER 30JUL2007              |  | D.F. DECKER 30JUL2007    |  | Tyco Electronics Corporation<br>Harrisburg, PA 17105-3608 |  |
| APVD D.F. DECKER 30JUL2007             |  | D.F. DECKER 30JUL2007    |  | NAME PIN RECEPTACLE,<br>2.36 [.093] DIA                   |  |
| PRODUCT SPEC                           |  | APPLICATION SPEC         |  | SIZE A2 CAGE CODE 00779 C=42101 DRAWING NO. RESTRICTED TO |  |
| MATERIAL SEE TABLE                     |  | FINISH SEE TABLE         |  | WEIGHT - SCALE 5:1 SHEET 1 of 1 REV J                     |  |
|  |  | CUSTOMER DRAWING         |  |   |  |