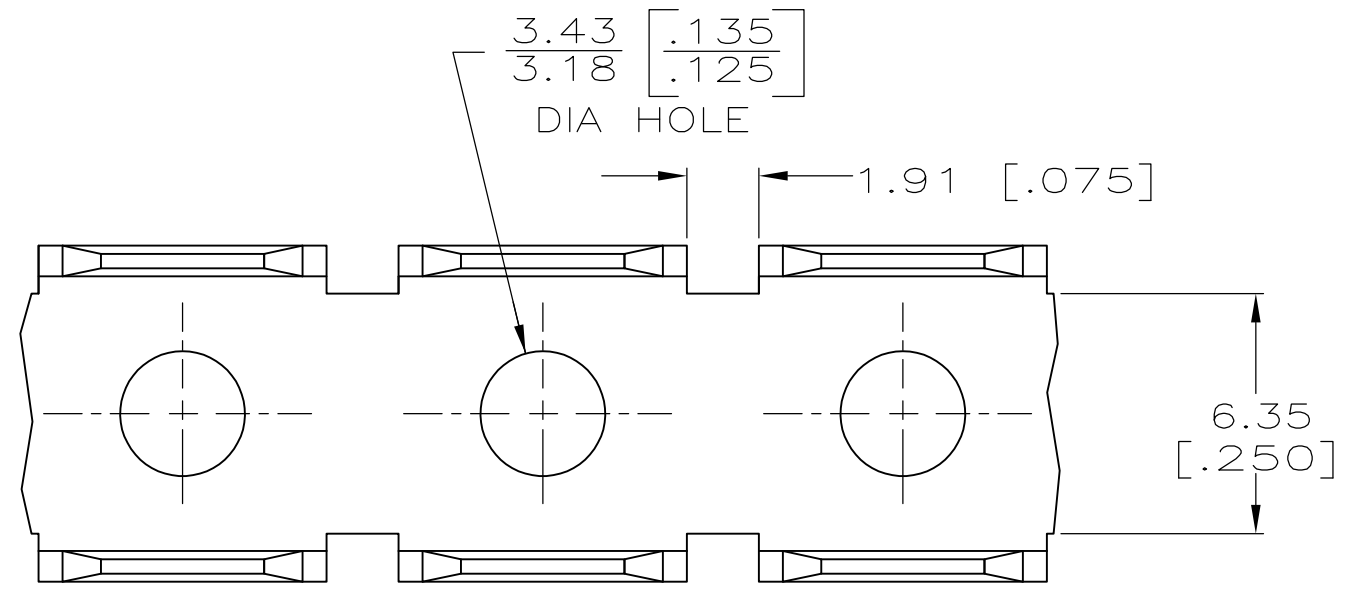
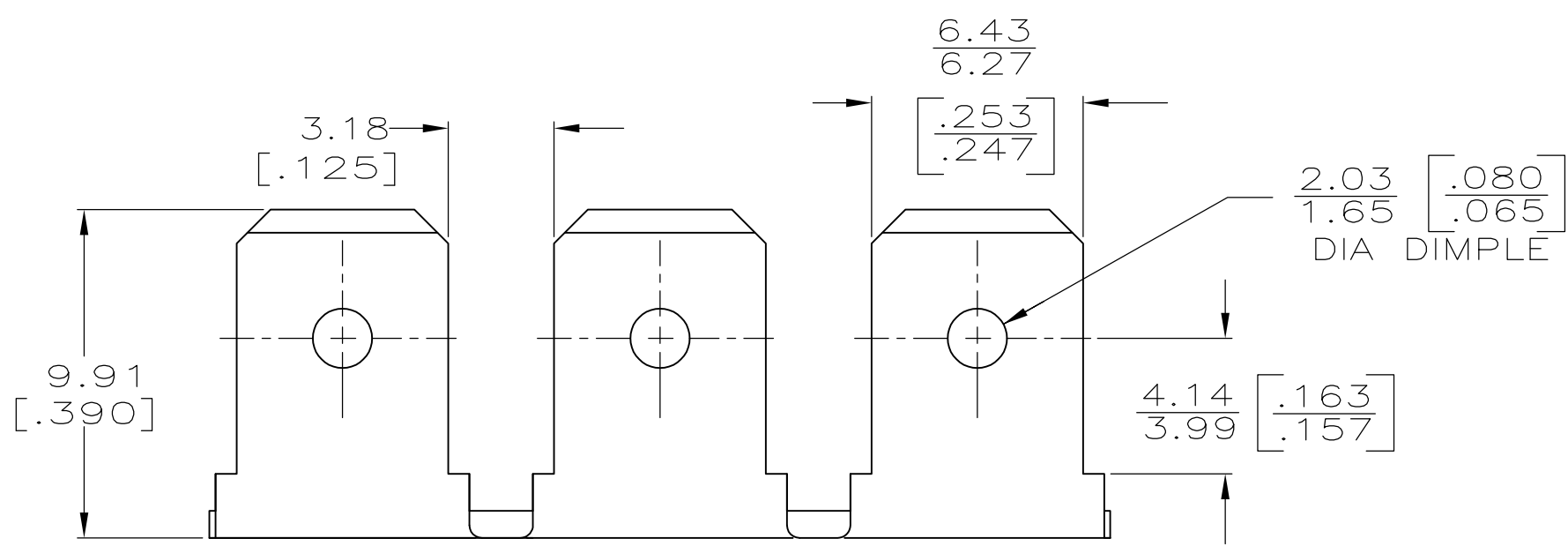
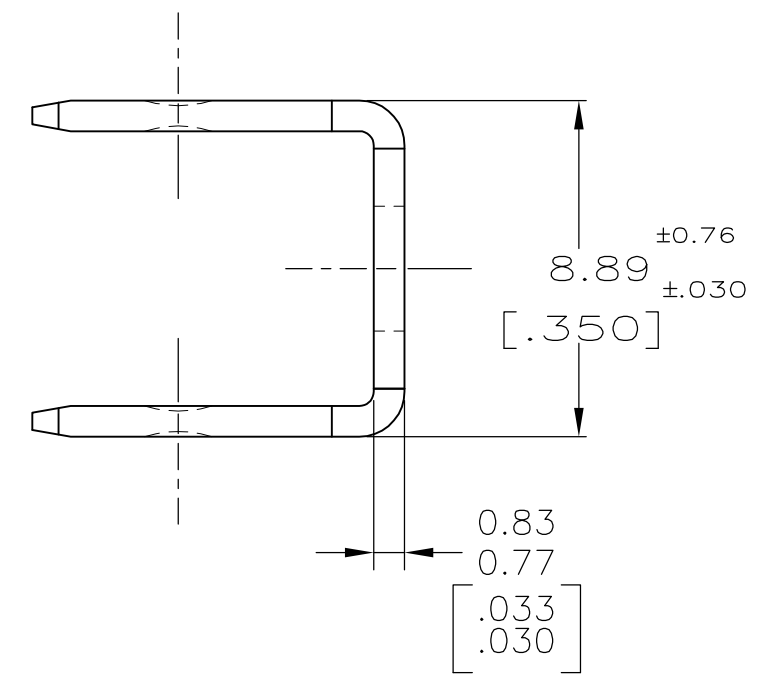


THIS DRAWING IS UNPUBLISHED. RELEASED FOR PUBLICATION
 © COPYRIGHT - By - ALL RIGHTS RESERVED.


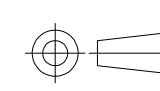
LOC	DIST	REVISIONS			
P	LTR	DESCRIPTION	DATE	DWN	APVD
AF	50	AN	REVISED PER ECR-13-011489	07DEC2013	KH PD



1 CONTINUOUS STRIP ON REELS.



-	42115-6
TIN	42115-4
FINISH	PART NO

THIS DRAWING IS A CONTROLLED DOCUMENT.		DWN	JR RUTH	12/2/91	 TE Connectivity NAME TAB, FASTON, 6.35 $\left[\begin{smallmatrix} .250 \end{smallmatrix} \right]$ SERIES				
DIMENSIONS:		CHK	MS FEHER	12/2/91					
mm [INCHES]	TOLERANCES UNLESS OTHERWISE SPECIFIED:	APVD	MEYERS	12/2/91					
	0 PLC ± - 1 PLC ± - 2 PLC ± - 3 PLC ± 0.38 $\left[\begin{smallmatrix} .015 \end{smallmatrix} \right]$ 4 PLC ± - ANGLES ± -	PRODUCT SPEC	-	APPLICATION SPEC				SIZE	CAGE CODE
MATERIAL	FINISH	WEIGHT	-	-	A3	00779	C-42115	-	
BRASS	SEE TABLE	CUSTOMER DRAWING		SCALE	5:1	SHEET	1 OF 1	REV	AN