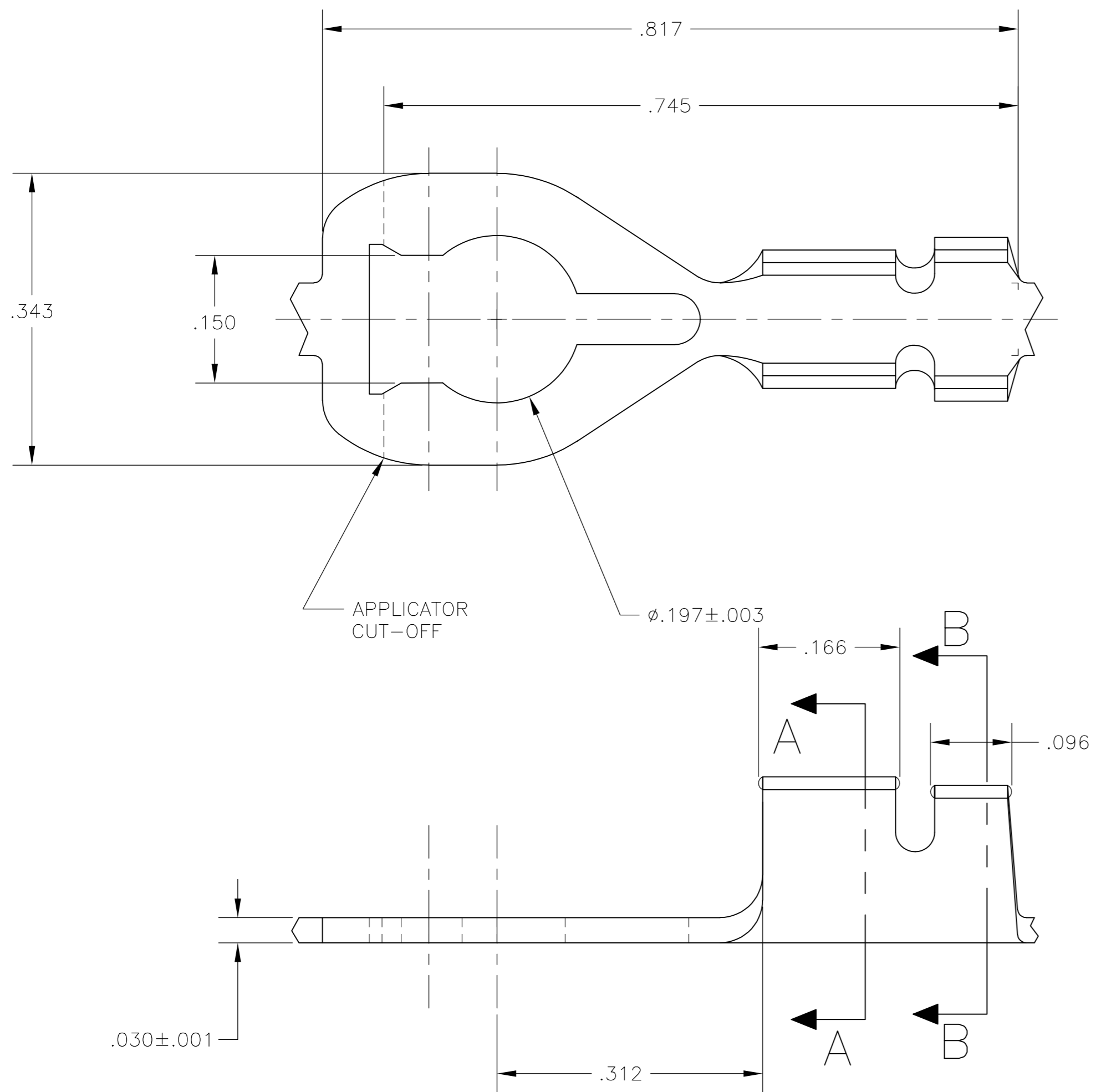
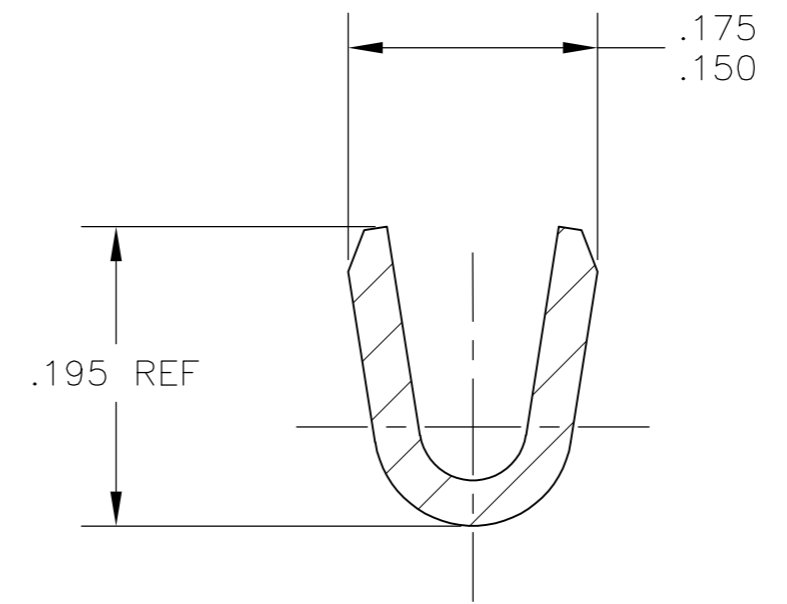


THIS DRAWING IS UNPUBLISHED. RELEASED FOR PUBLICATION  
 © COPYRIGHT 1964 BY TYCO ELECTRONICS CORPORATION. ALL RIGHTS RESERVED.

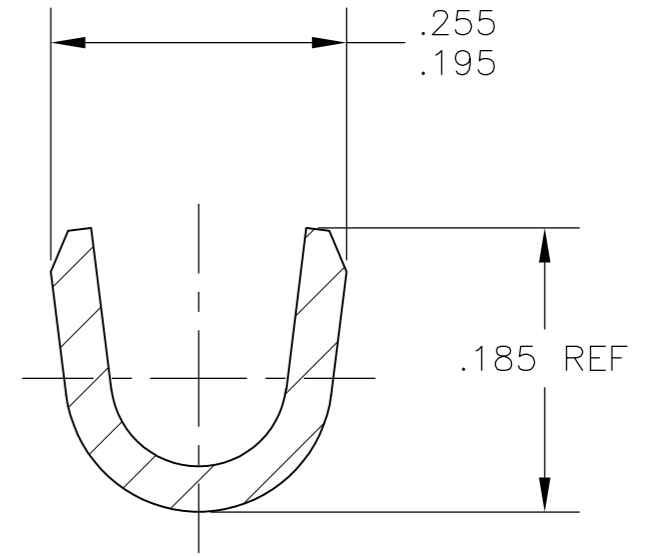
LOC		DIST		REVISIONS			
P	LTR	DESCRIPTION		DATE	DWN	APVD	
AF	50	S	REVISED PER ECR-10-006099	07JUL10	HMR	PD	



1. CONTINUOUS STRIP ON REELS.
2. WIRE RANGE: #18-#14 AWG.
3. INSULATION RANGE: .100-.140 DIA.



SECTION A-A



SECTION B-B

TIN	42169-2
-	42169-1
FINISH	PART NUMBER

THIS DRAWING IS A CONTROLLED DOCUMENT.		DWN 05NOV2003 MICHAEL S. FEHER	Tyco Electronics Corporation Harrisburg, PA 17105-3608																		
DIMENSIONS: INCHES		CHK 05NOV2003 DONALD F. DECKER	NAME																		
TOLERANCES UNLESS OTHERWISE SPECIFIED:		APVD 05NOV2003 DONALD F. DECKER	PRODUCT SPEC																		
<table border="1"> <tr><td>0 PLC</td><td>±</td><td>-</td></tr> <tr><td>1 PLC</td><td>±</td><td>-</td></tr> <tr><td>2 PLC</td><td>±</td><td>-</td></tr> <tr><td>3 PLC</td><td>±</td><td>.015</td></tr> <tr><td>4 PLC</td><td>±</td><td>-</td></tr> <tr><td>ANGLES</td><td>±</td><td>1°</td></tr> </table>		0 PLC	±	-	1 PLC	±	-	2 PLC	±	-	3 PLC	±	.015	4 PLC	±	-	ANGLES	±	1°	APPLICATION SPEC	
0 PLC	±	-																			
1 PLC	±	-																			
2 PLC	±	-																			
3 PLC	±	.015																			
4 PLC	±	-																			
ANGLES	±	1°																			
MATERIAL H03 BRASS	FINISH SEE TABLE	WEIGHT -	SIZE A2	CAGE CODE 00779																	
		DRAWING NO C=42169		RESTRICTED TO -																	
		CUSTOMER DRAWING		SCALE 8:1 SHEET 1 OF 1 REV S																	