

THIS DRAWING IS UNPUBLISHED.

RELEASED FOR PUBLICATION

ALL RIGHTS RESERVED.

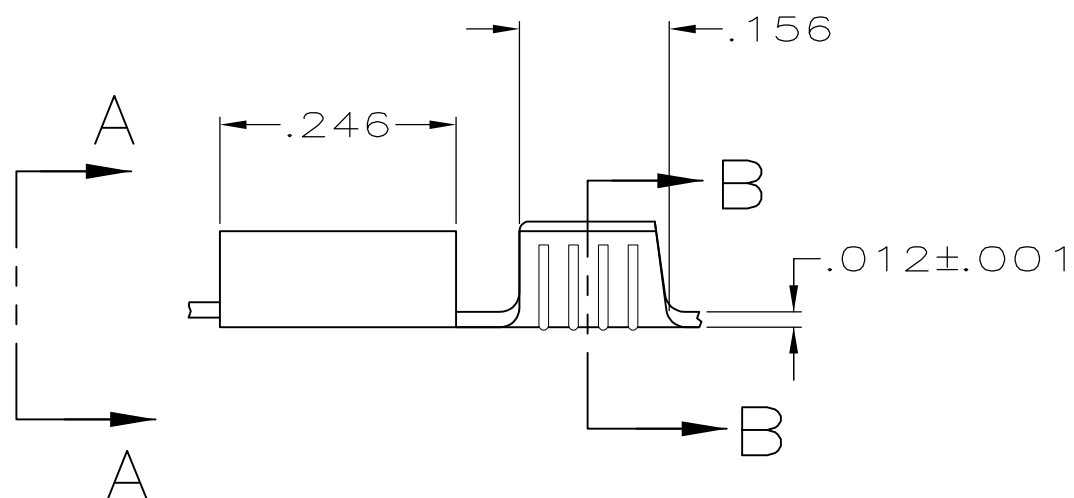
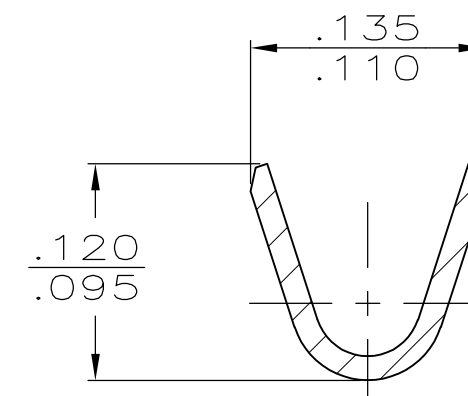
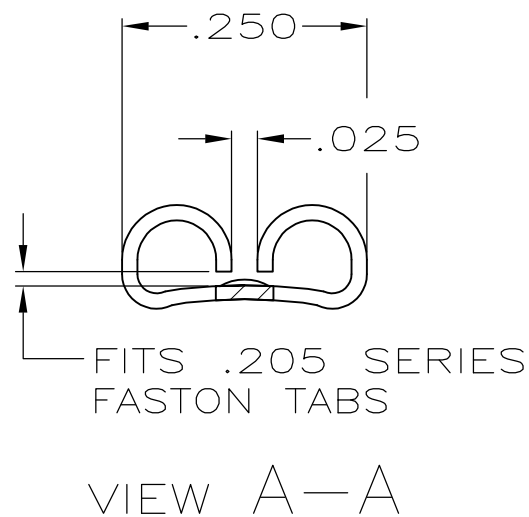
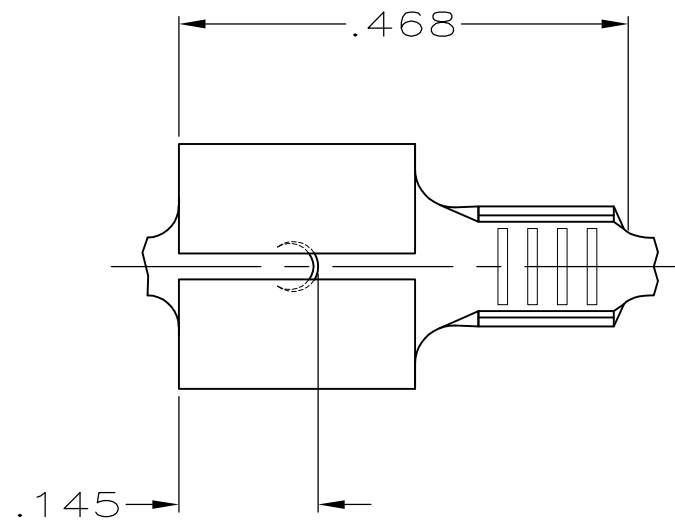
© COPYRIGHT - By -

LOC AF DIST 50

REVISIONS

P	LTR	DESCRIPTION	DATE	DWN	APVD
	R	REVISED PER ECR-12-013445	08NOV12	KH	PD

- 1 CONTINUOUS STRIP ON REELS.
- 2 FEED TO BE $.530 \pm .005$
- 3 MATING TAB THK IS $.020 \pm .001$
- 4 WIRE SIZE IS #22-#18 AWG.
- 5 REVERSE REELING W/ PAPER INTERLEAVING
- 6 PRELIMINARY - NOT FOR PRODUCTION



OBSOLETE	TIN .000080 MIN	5 6 42197-3
	TIN	42197-2
	FINISH	42197-1
		PART NUMBER

THIS DRAWING IS A CONTROLLED DOCUMENT.		DWN JR RUTH 6/14/91	TE Connectivity											
DIMENSIONS: INCHES		CHK MS FEHER 6/14/91												
TOLERANCES UNLESS OTHERWISE SPECIFIED:		APVD C MEYERS 6/14/91												
<table border="0"> <tr><td>0 PLC</td><td>± -</td></tr> <tr><td>1 PLC</td><td>± -</td></tr> <tr><td>2 PLC</td><td>± -</td></tr> <tr><td>3 PLC</td><td>± .015</td></tr> <tr><td>4 PLC</td><td>± -</td></tr> <tr><td>ANGLES</td><td>± -</td></tr> </table>		0 PLC				± -	1 PLC	± -	2 PLC	± -	3 PLC	± .015	4 PLC	± -
0 PLC	± -													
1 PLC	± -													
2 PLC	± -													
3 PLC	± .015													
4 PLC	± -													
ANGLES	± -													
MATERIAL BRASS		FINISH SEE TABLE	RECEPTACLE, FASTON, .205 SERIES											
		PRODUCT SPEC -	SIZE A3	CAGE CODE 00779	DRAWING NO C-42197	RESTRICTED TO -								
		APPLICATION SPEC -	CUSTOMER DRAWING			SCALE 5:1								
		WEIGHT -	SHEET 1 OF 1			REV R								