

THIS DRAWING IS UNPUBLISHED.

RELEASED FOR PUBLICATION

© COPYRIGHT - By -

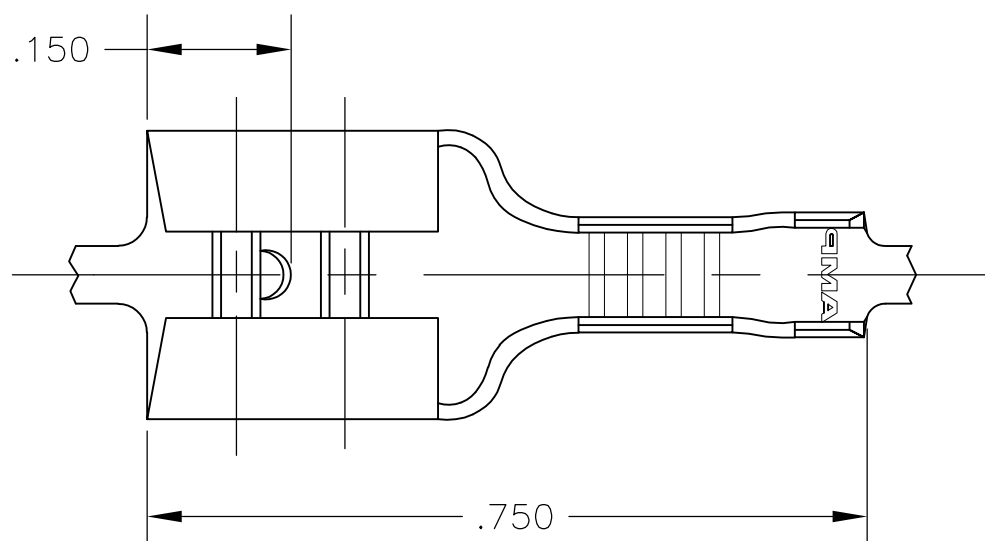
ALL RIGHTS RESERVED.

LOC
AF

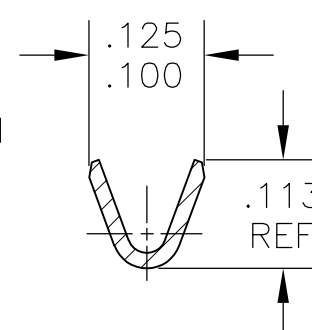
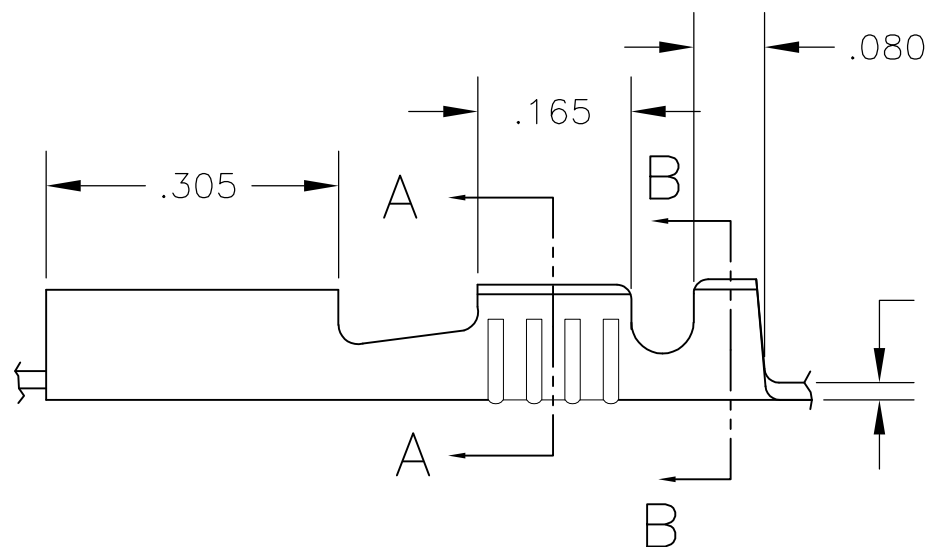
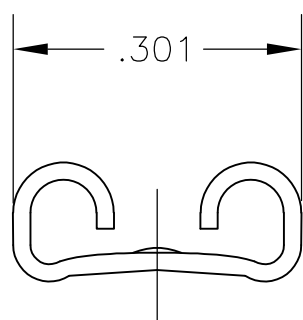
DIST
50

REVISIONS

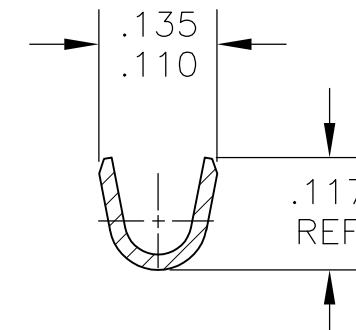
P	LTR	DESCRIPTION	DATE	DWN	APVD
	H	REVISED PER ECR-12-013445	09NOV12	KH	PD



- 1 CONTINUOUS STRIP ON REELS
- 2 WIRE SIZE IS 22-18 AWG
- 3 INSULATION RANGE IS .060-.100 DIA
- 4 FEED IS $.840 \pm .005$
- 5 MATING TAB THK IS $.032 \pm .001$



SECTION A-A



SECTION B-B

TIN	42640-2
-	42640-1
FINISH	PART NO

THIS DRAWING IS A CONTROLLED DOCUMENT.		DWN jr_ruth 13JAN2004	TE Connectivity														
DIMENSIONS: INCHES		CHK P_DESANTIS 13JAN04				NAME RECEPTACLE, FASTON, .250 SERIES											
TOLERANCES UNLESS OTHERWISE SPECIFIED:		APVD P_DESANTIS 13JAN04	PRODUCT SPEC														
<table border="0"> <tr> <td>0 PLC</td> <td>± -</td> </tr> <tr> <td>1 PLC</td> <td>± -</td> </tr> <tr> <td>2 PLC</td> <td>± -</td> </tr> <tr> <td>3 PLC</td> <td>± .015</td> </tr> <tr> <td>4 PLC</td> <td>± -</td> </tr> <tr> <td>ANGLES</td> <td>± -</td> </tr> </table>		0 PLC	± -	1 PLC	± -	2 PLC	± -	3 PLC	± .015	4 PLC	± -	ANGLES	± -	APPLICATION SPEC		RESTRICTED TO	
0 PLC	± -																
1 PLC	± -																
2 PLC	± -																
3 PLC	± .015																
4 PLC	± -																
ANGLES	± -																
MATERIAL BRASS		FINISH SEE TABLE		WEIGHT -	SIZE A3												
CUSTOMER DRAWING				CAGE CODE 00779	DRAWING NO C-42640												
				SCALE 5:1	SHEET 1 OF 1												
				REV H													