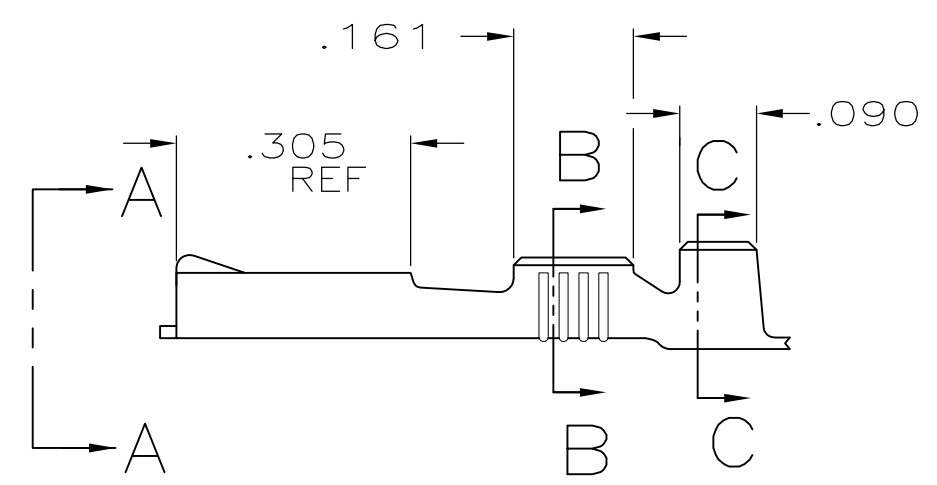
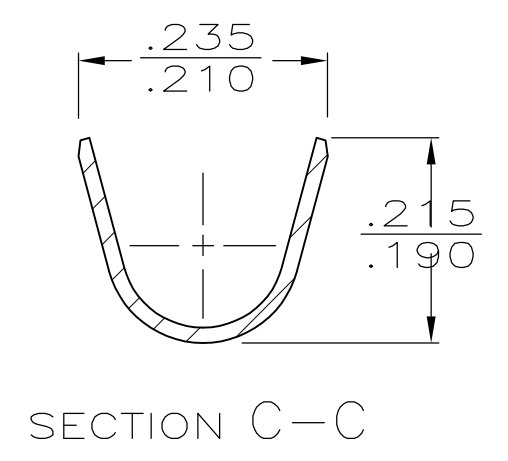
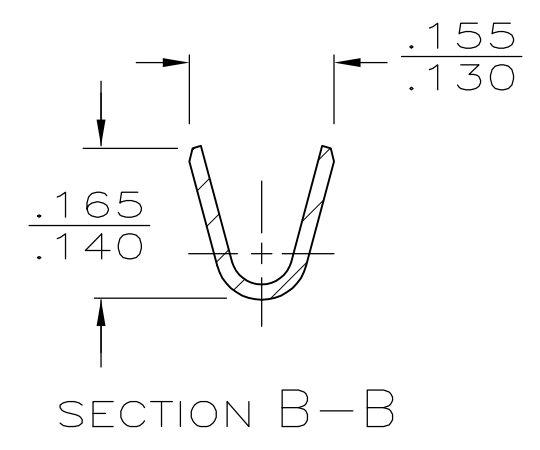
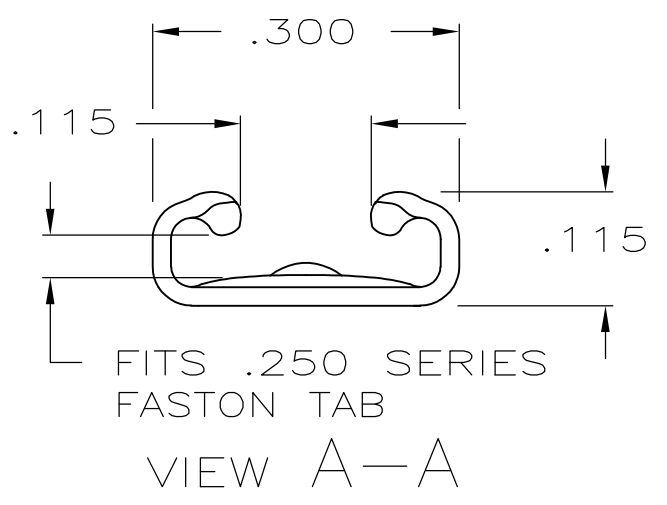
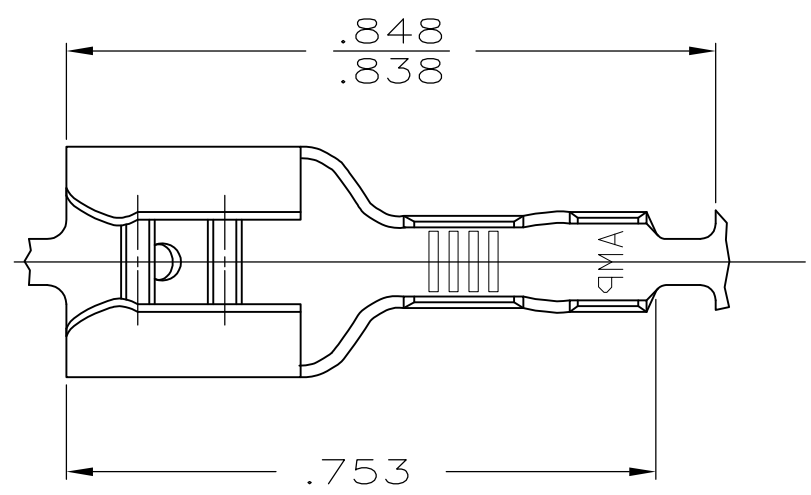


THIS DRAWING IS UNPUBLISHED. RELEASED FOR PUBLICATION
 © COPYRIGHT - By - ALL RIGHTS RESERVED.

LOC	DIST	REVISIONS			
P	LTR	DESCRIPTION	DATE	DWN	APVD
AF	50	U	REVISED PER ECR-12-013445	09NOV12	KH PD

- 1 CONTINUOUS STRIP ON REELS.
- 2 MATING TAB THK IS .032
- 3 WIRE SIZE IS #18-#14 AWG.
- 4 INSULATION RANGE IS .120-.170 DIA. ±.001
- 5 PRELIMINARY - NOT FOR PRODUCTION
- 6 REDUCED PACKAGE QUANTITY



OBSOLETE

FINISH	MATERIAL	PART NO
TIN	.016±.001 BRASS	6/5 42660-6
NICKEL	.016±.001 STEEL	5 42660-5
PRE-TIN	.016±.001 BRASS	42660-4
TIN	BRASS	42660-2
	BRASS	42660-1

THIS DRAWING IS A CONTROLLED DOCUMENT.		DWN JR RUTH 4/17/86	TE Connectivity															
DIMENSIONS: INCHES		CHK G YETTER 4/17/86				NAME												
TOLERANCES UNLESS OTHERWISE SPECIFIED:		APVD C MEYERS 4/17/86	RECEPTACLE FASTON™ .250 SERIES															
<table border="0"> <tr><td>0 PLC</td><td>± -</td></tr> <tr><td>1 PLC</td><td>± -</td></tr> <tr><td>2 PLC</td><td>± -</td></tr> <tr><td>3 PLC</td><td>± .015</td></tr> <tr><td>4 PLC</td><td>± -</td></tr> <tr><td>ANGLES</td><td>± -</td></tr> </table>		0 PLC	± -	1 PLC	± -	2 PLC	± -	3 PLC	± .015	4 PLC	± -	ANGLES	± -	PRODUCT SPEC -	SIZE	CAGE CODE	DRAWING NO	RESTRICTED TO
0 PLC	± -																	
1 PLC	± -																	
2 PLC	± -																	
3 PLC	± .015																	
4 PLC	± -																	
ANGLES	± -																	
MATERIAL SEE ABOVE		FINISH SEE ABOVE	WEIGHT -	A3	00779	C-42660	-											
CUSTOMER DRAWING			SCALE NTS	SHEET 1 OF 1	REV U													