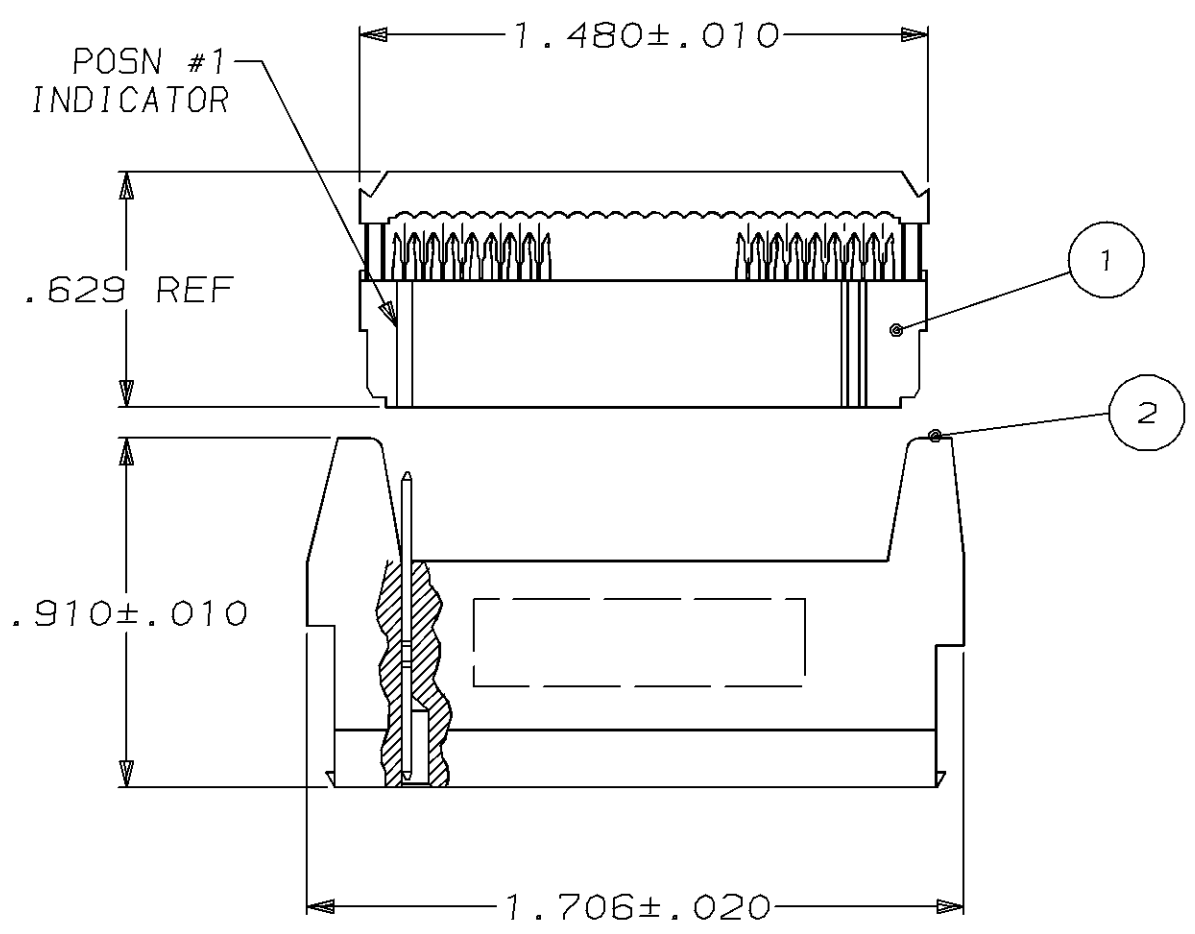


LOC	DIST	REVISIONS					
DF	EO	P	LTR	DESCRIPTION	DATE	DWN	APVD
		0		DRAW PER NPR 0600-2793-94	11-94	JB	DM



1. HOUSING MATERIAL: BLACK THERMOPLASTIC
2. CONTACT MATERIAL, AMP-LATCH: PHOS BRONZE PLATED WITH GOLD ON MATING END AND TIN ON TERMINATION END OVER NICKEL.
3. CONTACT MATERIAL, RCPT MODULE: COPPER ALLOY PLATED WITH GOLD OVER NICKEL.

-	RECEPTACLE MODULE,	2
-	AMP-LATCH NOVO,	1
-1	DESCRIPTION	ITEM #

THIS DRAWING IS UNPUBLISHED. BY AMP INCORPORATED. ALL RIGHTS RESERVED. COPYRIGHT 19

DIMENSIONS: mm	DWN	J. A. Baker	11-06-94	MATERIAL	-	FINISH	-	
	CHK	D. B. MUMMEY	12-02-94	AMP AMP Incorporated Harrisburg, PA 17105-3608				
TOLERANCES UNLESS OTHERWISE SPECIFIED:			APVD					D. B. MUMMEY
0 PLC ±- 1 PLC ±- 2 PLC ±- 3 PLC ±- 4 PLC ±- ANGLES ±-	PRODUCT SPEC -			NAME MODULE & RIBBON CABLE CONN KIT, 26 POSN CR				
APPLICATION SPEC -			SIZE	A4	CAGE CODE	00779	DRAWING NO	©=443044
WEIGHT -			CUSTOMER DRAWING				SCALE	2:1
			SHEET 1 OF 1				REV 0	