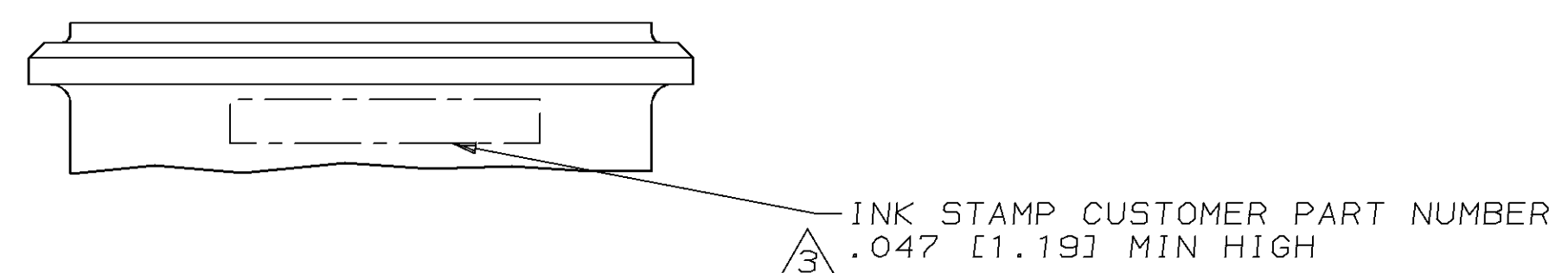
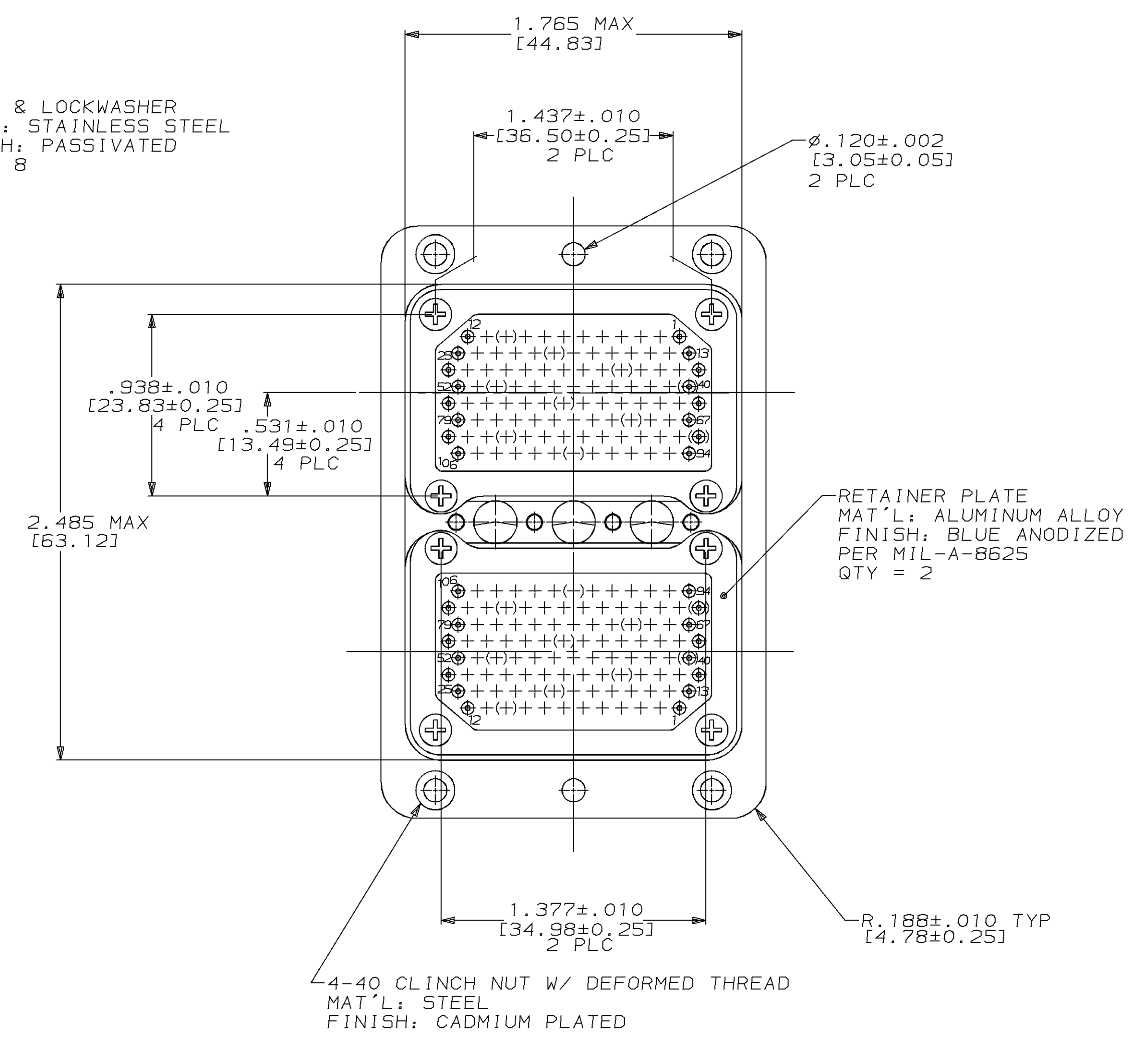
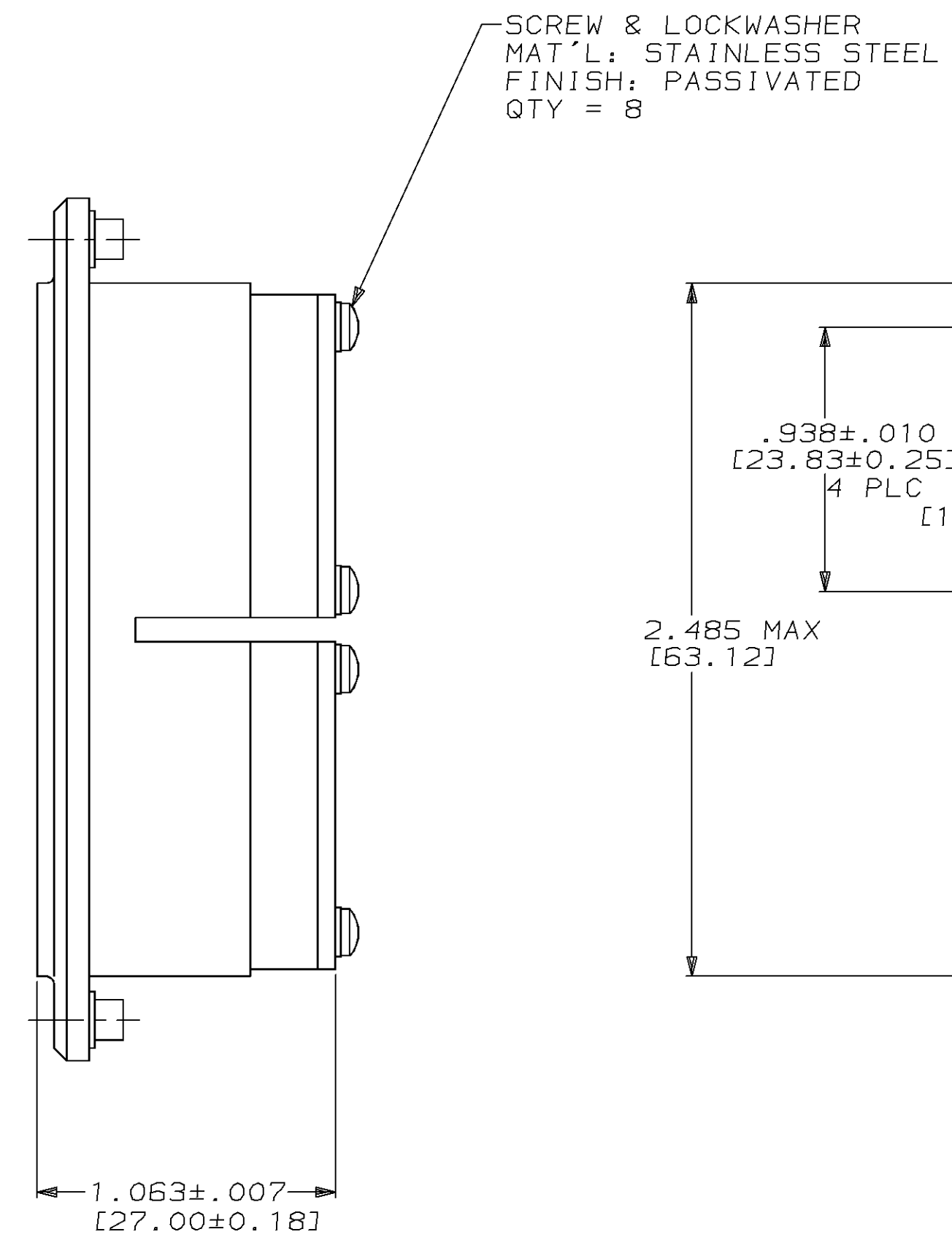
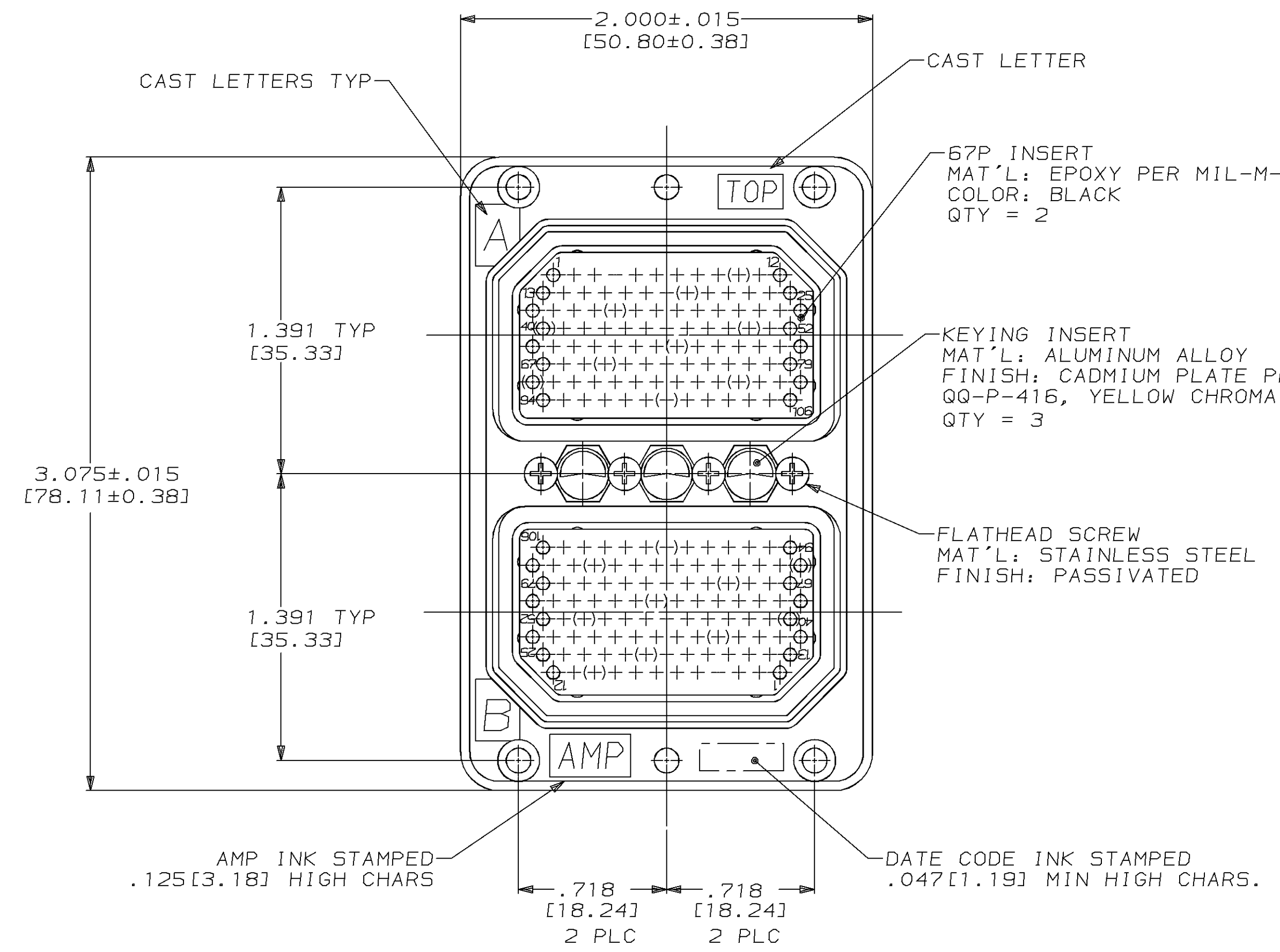
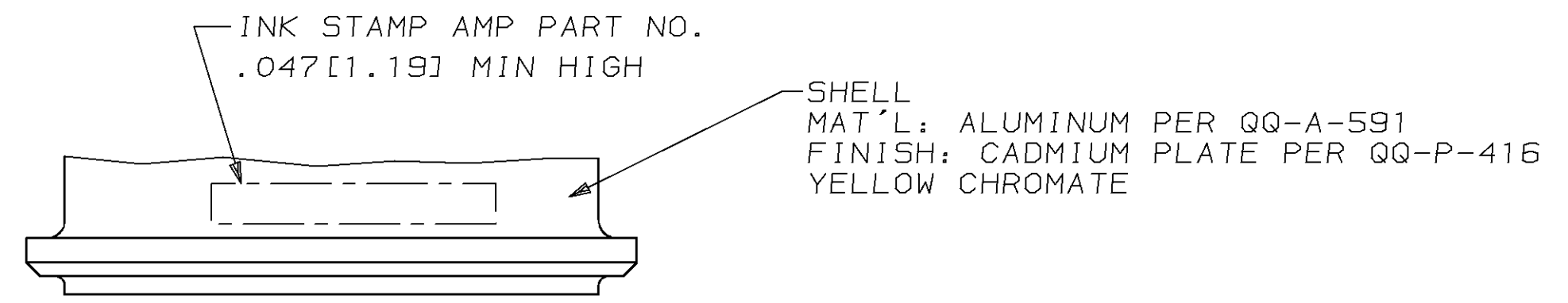


LOC		DIST		REVISIONS			
DF	AO	P	LYR	DESCRIPTION	DATE	DMN	APVD
		0		DRAWN PER 0600-3080-94	12-06-94	TT	KG



- CONTACTS ARE PRELOADED INTO THE CONNECTOR.
- KEYING SHOWN IN POSITION "01".
- THE CONNECTOR SHALL BE MARKED WITH THE McDONNELL DOUGLAS CONTROL NUMBER "B33B0145-1".

DIMENSIONS (IN (mm))		TOLERANCES UNLESS OTHERWISE SPECIFIED:		DWN		CHK		APVD		NAME	
0 PLC	±	0.005 (0.13)	±	T. THOMPSON	12-02-94	K. GUARAGNO	12-02-94	K. GUARAGNO	12-02-94	AMP Incorporated Harrisburg, PA 17105-3608	
1 PLC	±	0.005 (0.13)	±							DUAL RECEPTACLE, ARINC 404, RM2R67P67P-0104	
2 PLC	±	0.005 (0.13)	±							SIZE	CAGE CODE
3 PLC	±	0.005 (0.13)	±							A1	00779
4 PLC	±	0.005 (0.13)	±							DRAWING NO	SCALE
ANGLES	±		±							C-443098	2:1
FINISH										WEIGHT	SHEET
											1 OF 1
										CUSTOMER DRAWING	REV
											0