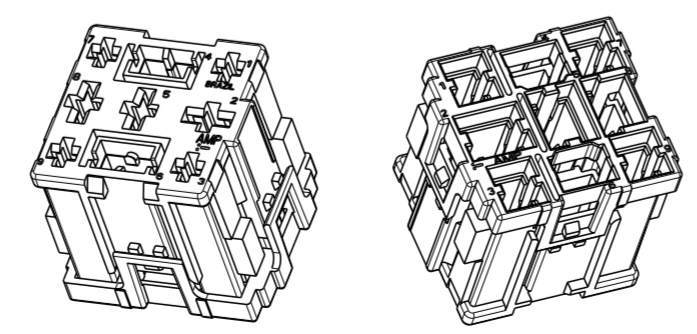
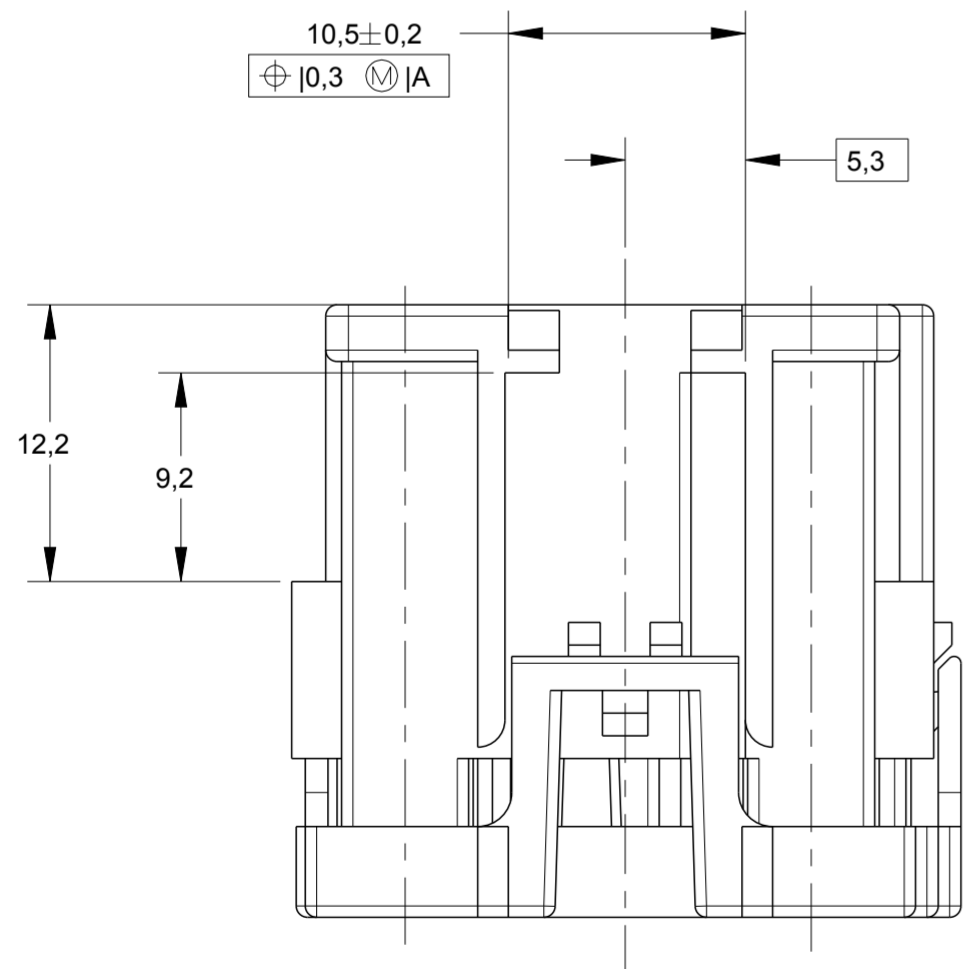
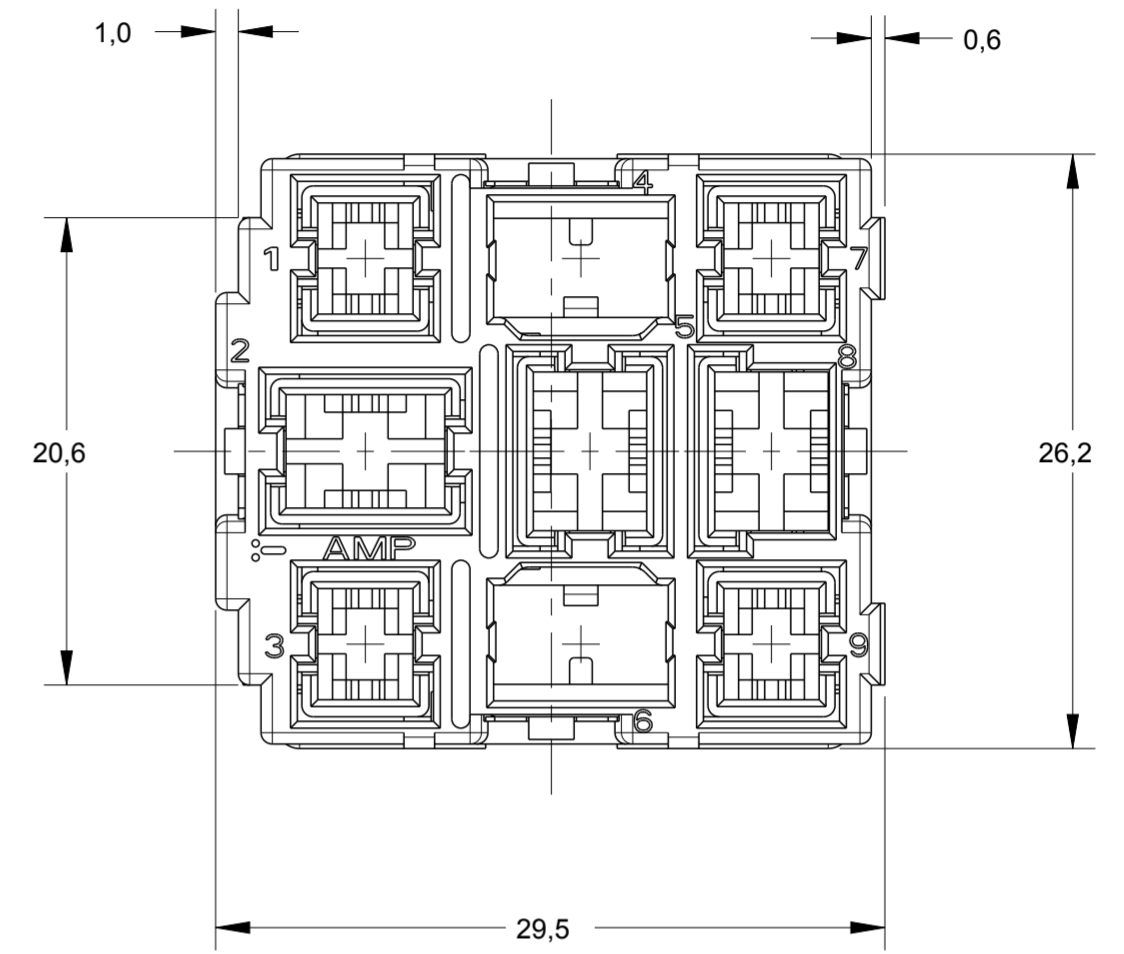
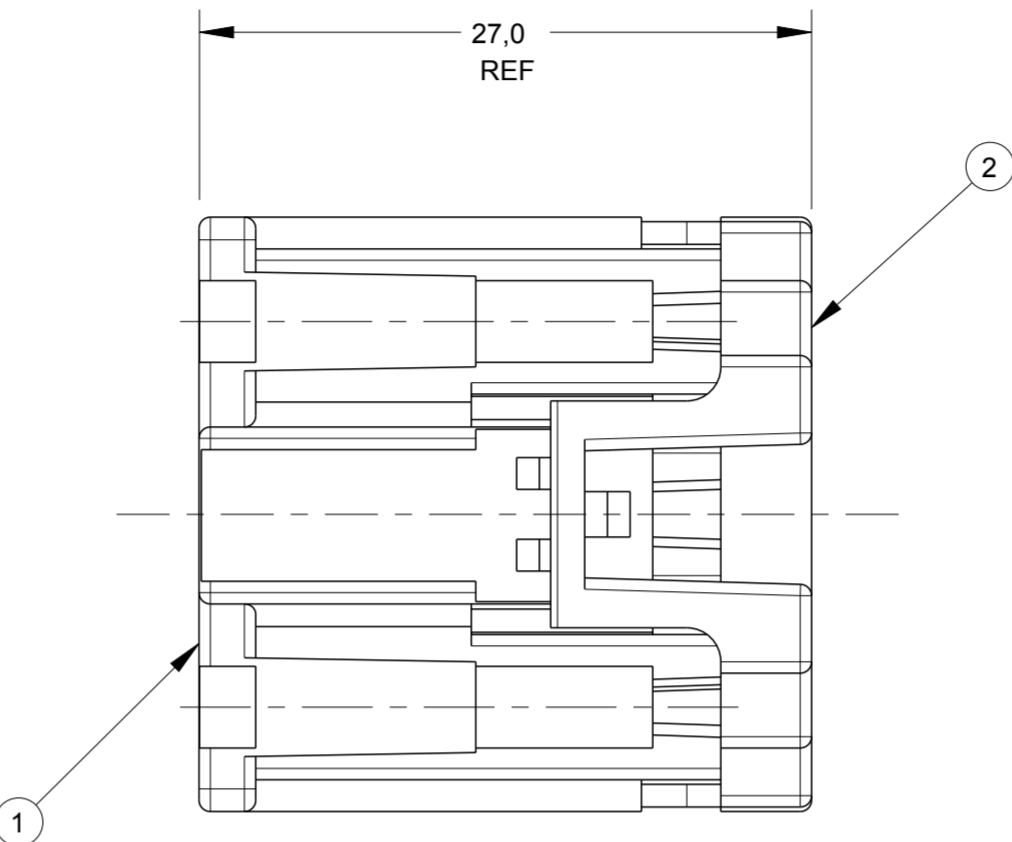
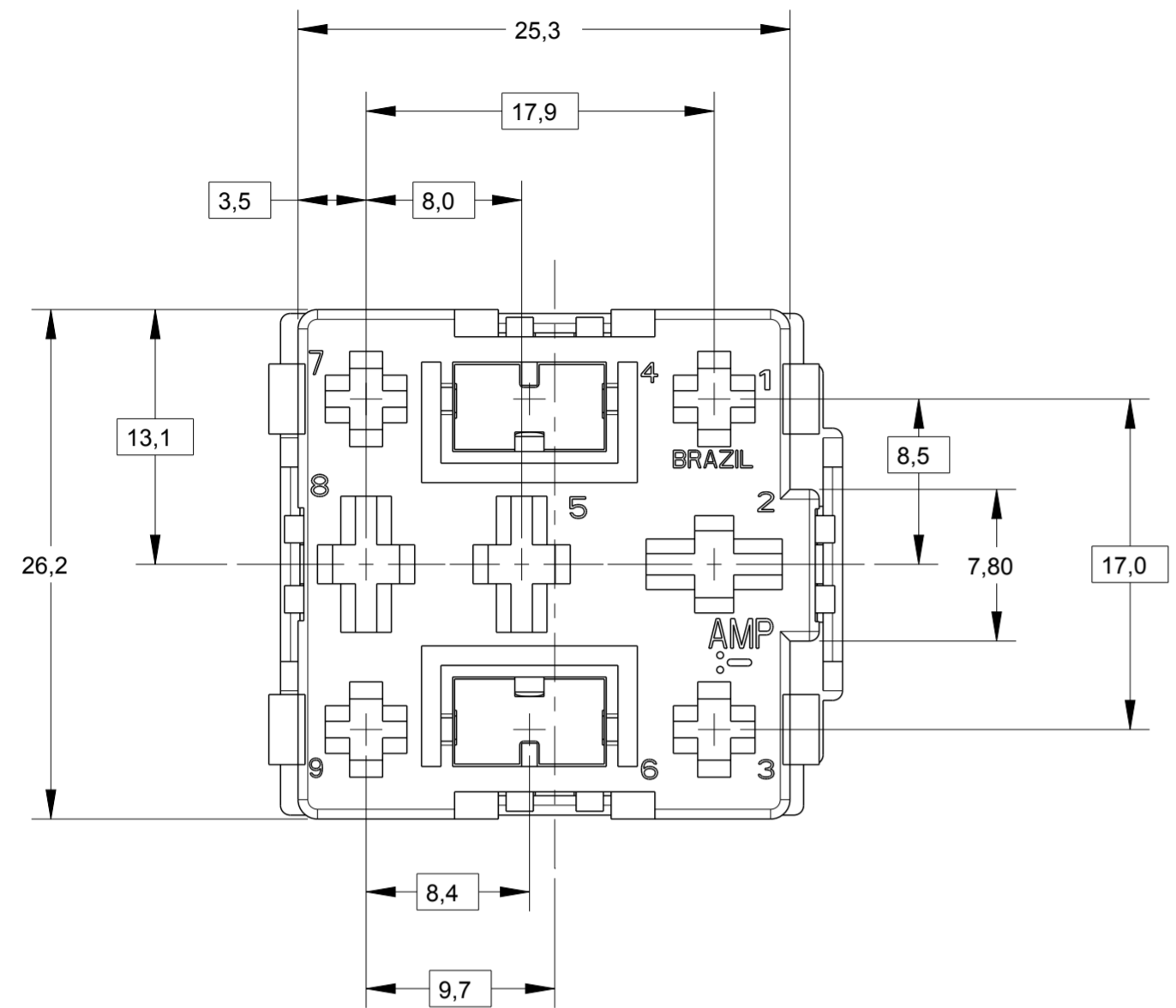


THIS DRAWING IS UNPUBLISHED. RELEASED FOR PUBLICATION 20
 © COPYRIGHT20 BY - ALL RIGHTS RESERVED.

creo
 Creo Parametric 2.0
**DO NOT REVISE
 EXCEPT BY CAD**

REVISIONS				
P	LTR	DESCRIPTION	DATE	APVD
C		REVISED DESIGN ECO-13-018731	04DEC2013	NCL GOJ



PERSPECTIVE VIEWS
 SCALE 1:1

1	1	1	1	1	1	1	1	1	1	1	1	2	DESCRIPTION	MATERIAL	FINISH	
1	-	-	-	-	-	-	-	-	-	-	-	1	COVER CAP	PA6-20%GB+10%GF	VIOLETA / VIOLET	
-	1	-	-	-	-	-	-	-	-	-	-	1	HOUSING,9 POSN.,COMB.JR/STD POWER TIMER	PA6.6+15%GF	NATURAL	
-	-	1	-	-	-	-	-	-	-	-	-	1	HOUSING,9 POSN.,COMB.JR/STD POWER TIMER	PA6.6+15%GF	LARANJA /ORANGE	
-	-	-	1	-	-	-	-	-	-	-	-	1	HOUSING,9 POSN.,COMB.JR/STD POWER TIMER	PA6.6+15%GF	ROSA / PINK	
-	-	-	-	1	-	-	-	-	-	-	-	1	HOUSING,9 POSN.,COMB.JR/STD POWER TIMER	PA6.6+15%GF	VIOLETA / VIOLET	
-	-	-	-	-	1	-	-	-	-	-	-	1	HOUSING,9 POSN.,COMB.JR/STD POWER TIMER	PA6.6+15%GF	CINZA / GRAY	
-	-	-	-	-	-	1	-	-	-	-	-	1	HOUSING,9 POSN.,COMB.JR/STD POWER TIMER	PA6.6+15%GF	VERDE / GREEN	
-	-	-	-	-	-	-	1	-	-	-	-	1	HOUSING,9 POSN.,COMB.JR/STD POWER TIMER	PA6.6+15%GF	BRANCO / WHITE	
-	-	-	-	-	-	-	-	1	-	-	-	1	HOUSING,9 POSN.,COMB.JR/STD POWER TIMER	PA6.6+15%GF	AZUL / BLUE	
-	-	-	-	-	-	-	-	-	1	-	-	1	HOUSING,9 POSN.,COMB.JR/STD POWER TIMER	PA6.6+15%GF	AMARELO / YELLOW	
-	-	-	-	-	-	-	-	-	-	1	-	1	HOUSING,9 POSN.,COMB.JR/STD POWER TIMER	PA6.6+15%GF	VERMELHO / RED	
-	-	-	-	-	-	-	-	-	-	-	1	1	HOUSING,9 POSN.,COMB.JR/STD POWER TIMER	PA6.6+15%GF	MARROM / BROWN	
-	-	-	-	-	-	-	-	-	-	-	-	1	1	HOUSING,9 POSN.,COMB.JR/STD POWER TIMER	PA6.6+15%GF	PRETO / BLACK

QUANTIDADE POR CONJUNTO / REQUIRED PER ASSY
 1--2 1--1 1--0 -9 -8 -7 -6 -5 -4 -3 -2 -1 ITEM

THIS DRAWING IS A CONTROLLED DOCUMENT.

DIMENSIONS:	TOLERANCES UNLESS OTHERWISE SPECIFIED:
mm	0 PLC ±
	1 PLC ±0,3
	2 PLC ±
	3 PLC ±
	4 PLC ±
	ANGLES ±1°
MATERIAL	FINISH
SEE TABLE	-

DWN 04OCT2000
 H.LIVERARO
 CHK 05OCT2000
 P.L.FARIA
 APVD 05OCT2000
 J.A.MARSON
 PRODUCT SPEC
 108-37013
 APPLICATION SPEC
 -
 WEIGHT -
 CUSTOMER DRAWING

STE TE Connectivity

NAME -
 HSG.,ASSY.,9 POSN.
 COMB. JR.,STD POWER TIMER

SIZE A2 CAGE CODE - DRAWING NO C-444017 RESTRICTED TO -
 SCALE 3:1 SHEET 1 OF 1 REV C