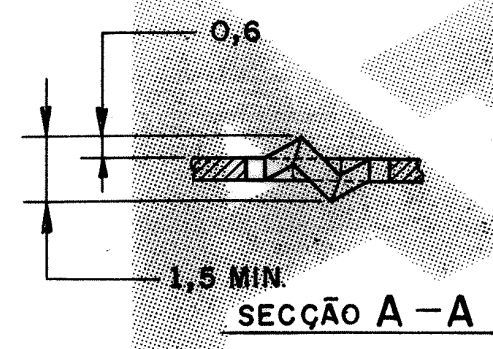
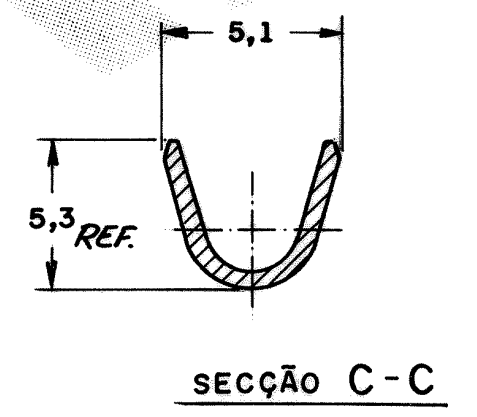
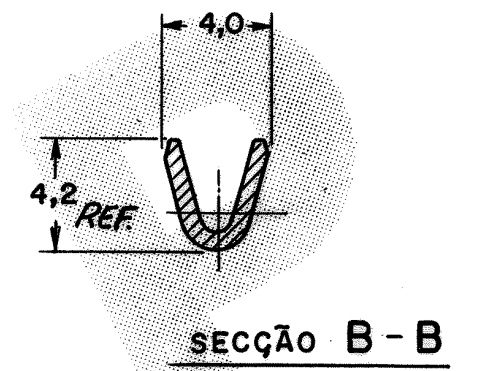
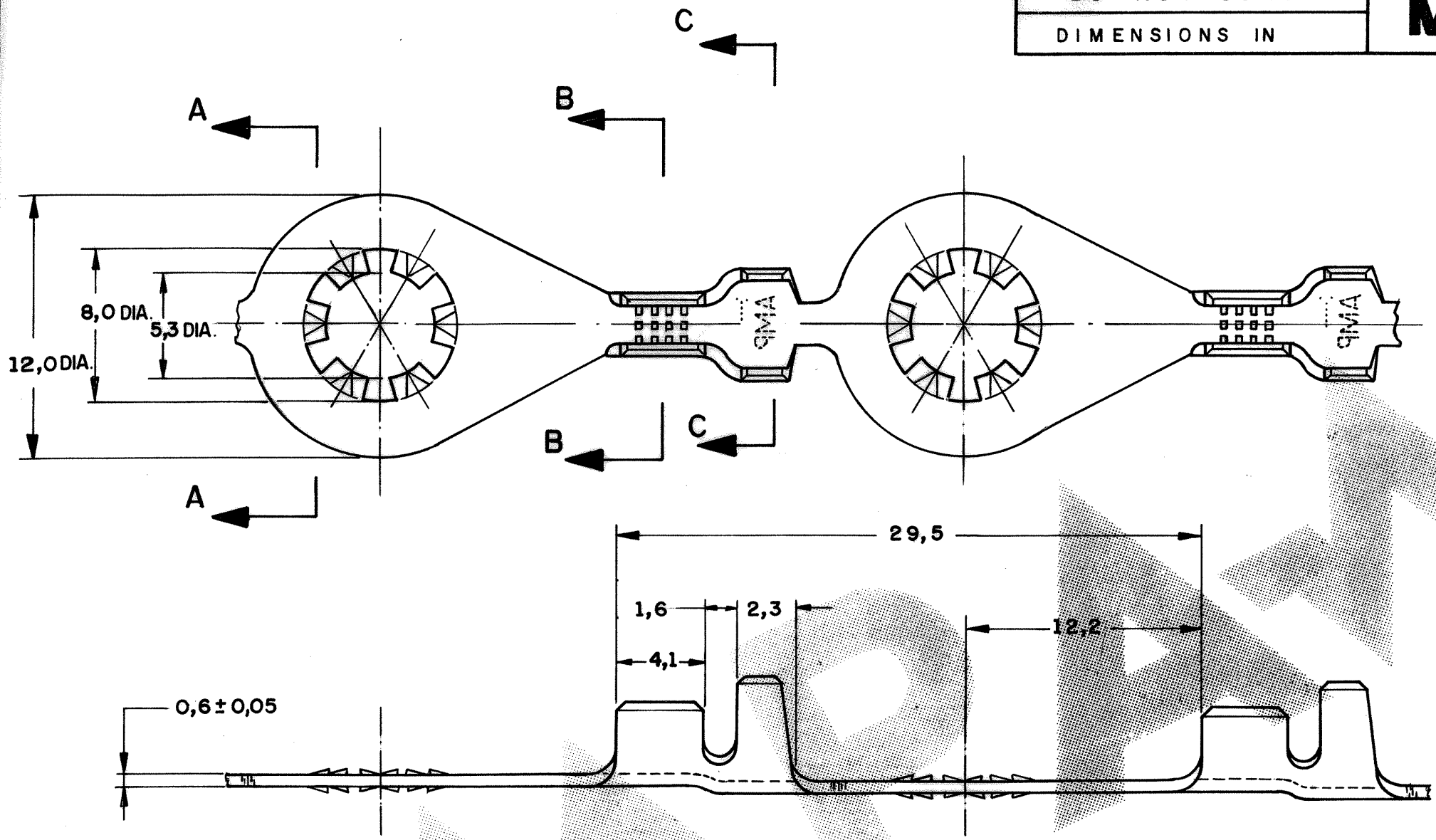
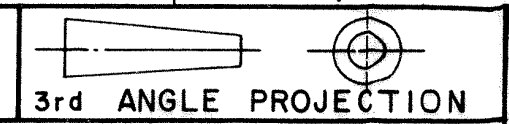


C444026 1 of 1

DO NOT SCALE
DIMENSIONS IN

METRIC



	ESTANHADO	BRONZE FOSF.	- 4
	— / —	BRONZE FOSF.	- 3
	ESTANHADO	LATÃO	- 2
	— / —	LATÃO	4 4 4 0 2 6 - 1
OTHER TREATMENT	FINISH	MATERIAL	PART NUMBER
CUSTOMER DWG for REFERENCE ONLY		THIS DRAWING IS UNPUBLISHED. RELEASED FOR PUBLICATION 19	
		© COPYRIGHT 19 BY AMP DO BRASIL LTDA S.P. ALL INTERNATIONAL RIGHTS RESERVED. AMP PRODUCTS MAY BE COVERED BY U.S. AND FOREIGN PATENTS AND/OR PATENTS PENDING.	
		TOLERANCES UNLESS OTHERWISE STATED DEC. ± 0,3 ANGLES ± 1°	INS. DIA. RANGE 2,1-2,9 WIRE RANGE >1,0-2,5mm SCALE — / —
		DR. 26-02-92 DOURIVAL ALVES ROCHA	AMP AMP do BRASIL LTDA. São Paulo, Brasil
		CHK. <i>J.R. Felício</i> 28/2/92	DESCRIPTION
A REV. By ECO-06-020111 H.C. H.C. 23/06/02		DE. <i>J. S. S. S.</i> 28/2/92	RING TONGUE (ANTIROTACIONAL)
O ERA P91-29230 DORI. <i>DS</i> 260292		APP. <i>J. S. S. S.</i> 04/03/92	DWG NO A3 C444026 SHEET 1 OF 1
ISS	REVISION RECORD	DR	CHK