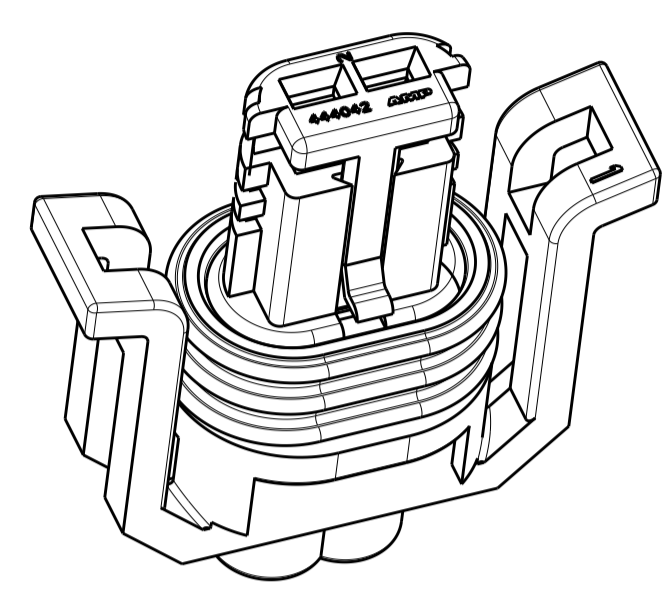
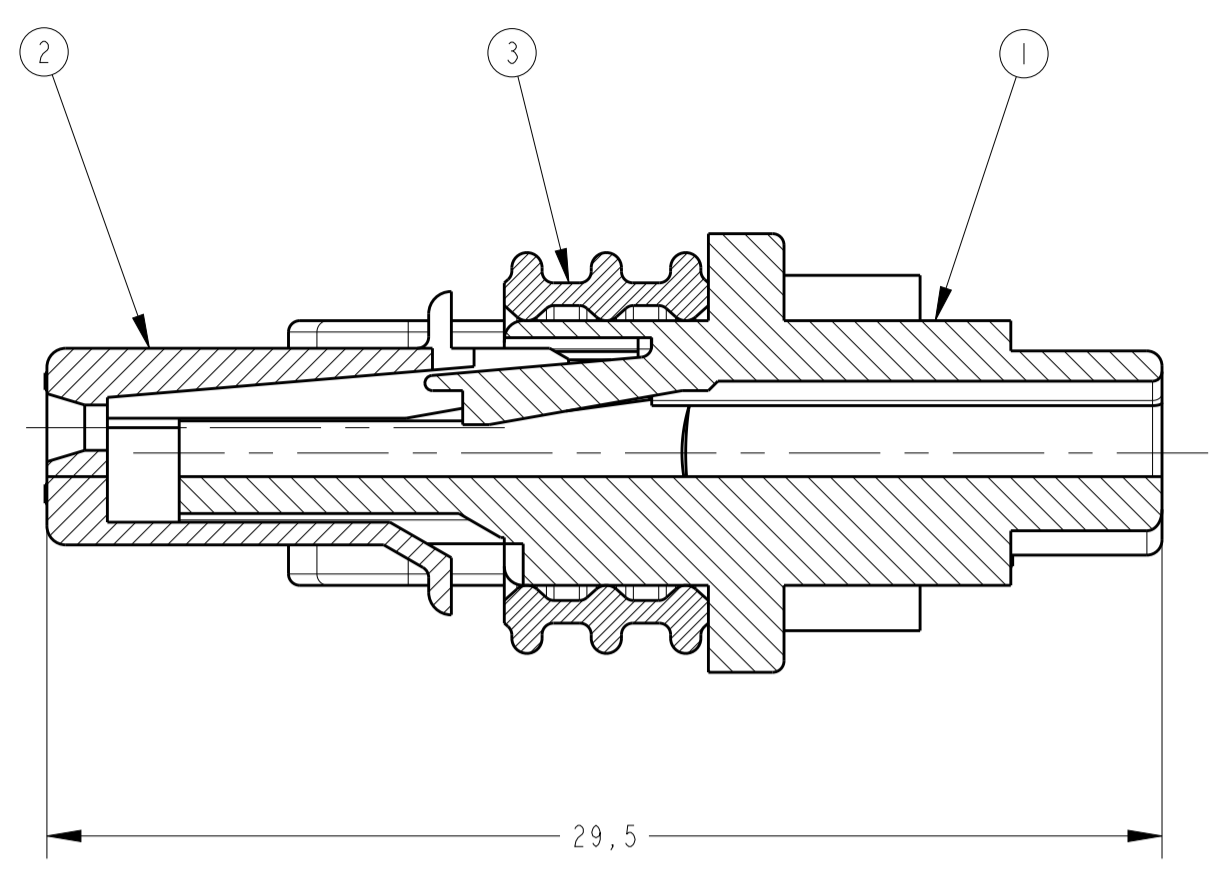
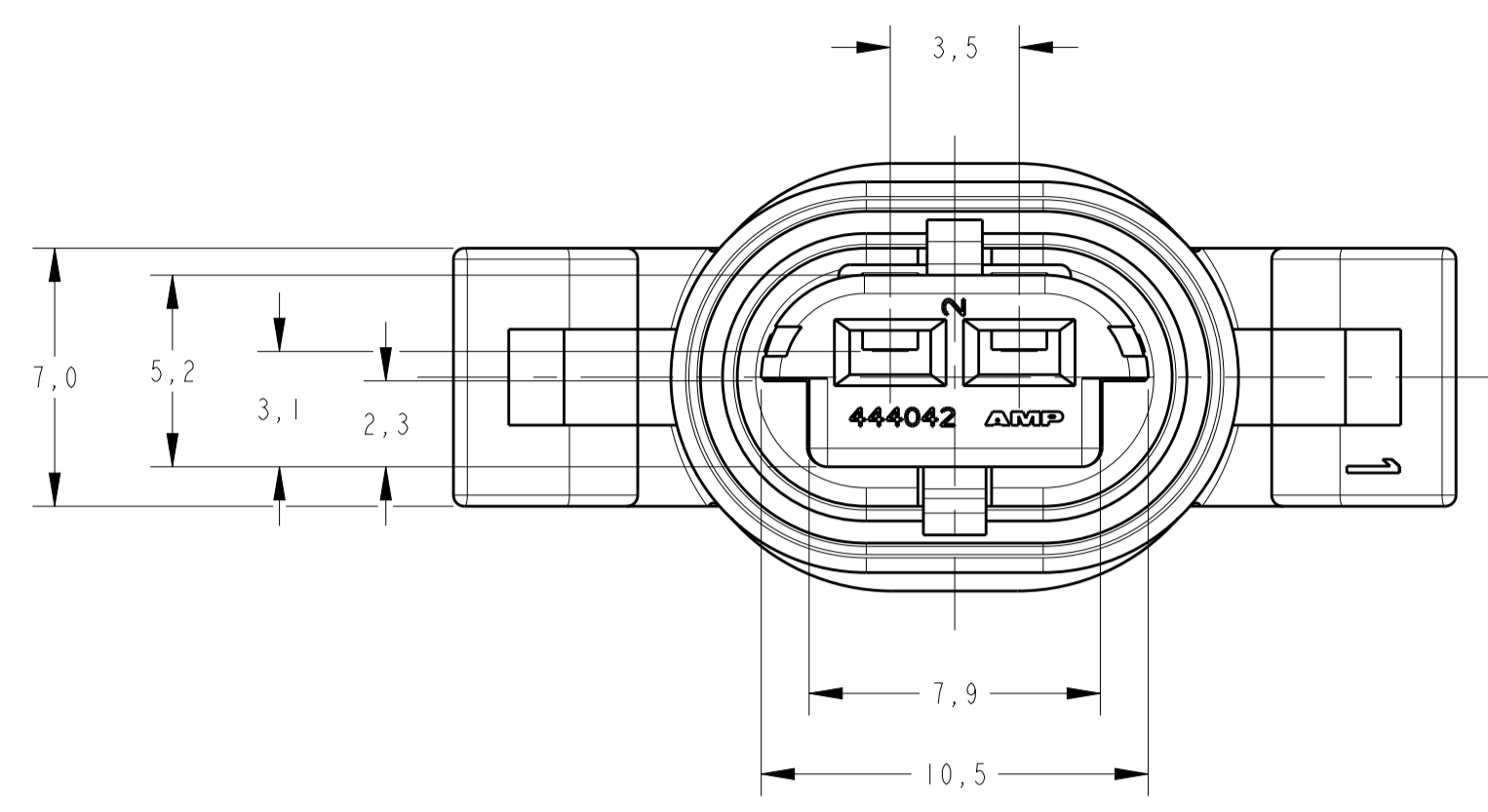
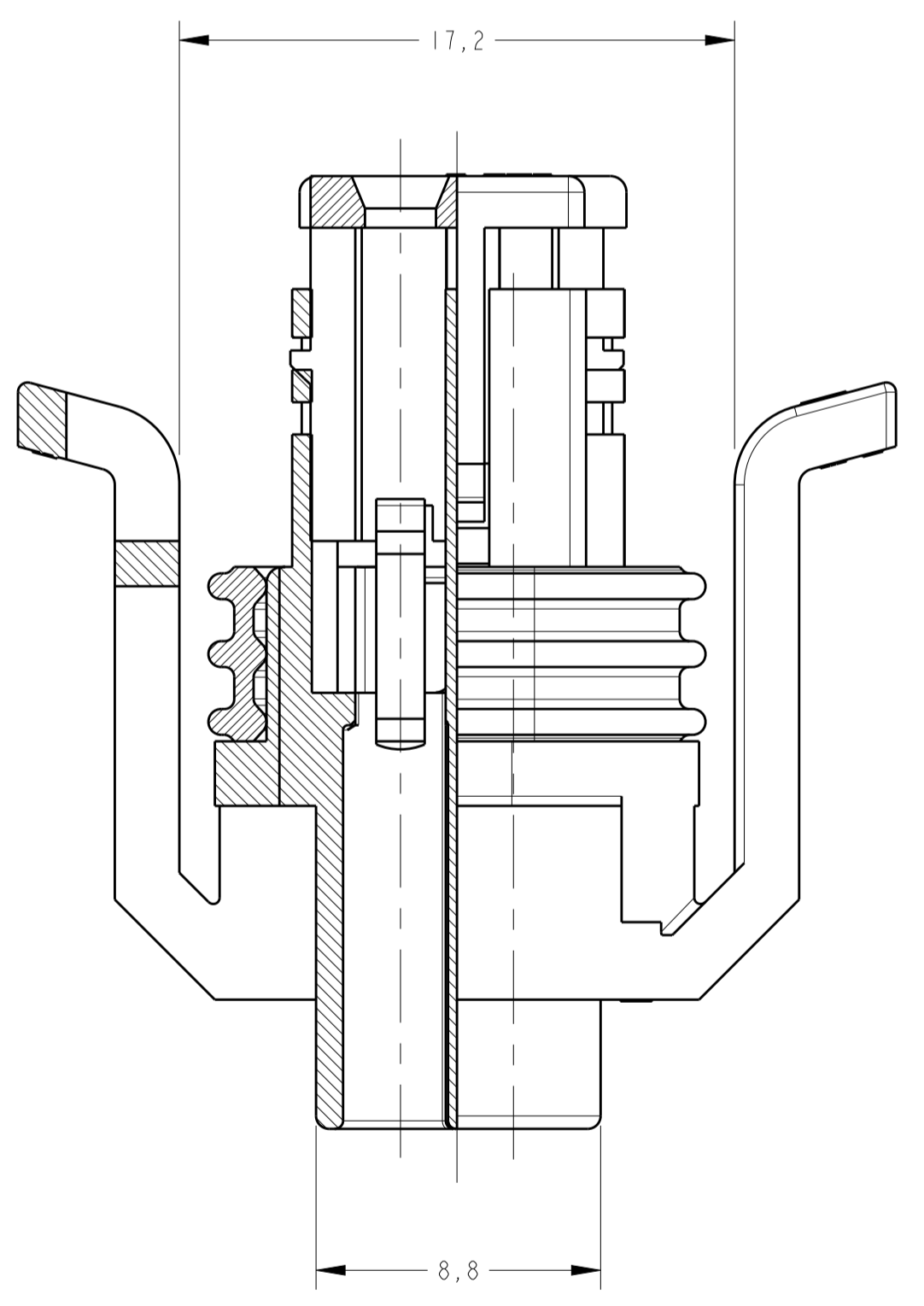


REVISIONS				
P.	LTN.	DESCRIPTION	DATE	APV'D.
F		REDRAW BY CAD ECO-15-009694	14JUL2015	NCL



PERSPECTIVE VIEW  
 SCALE 3:1

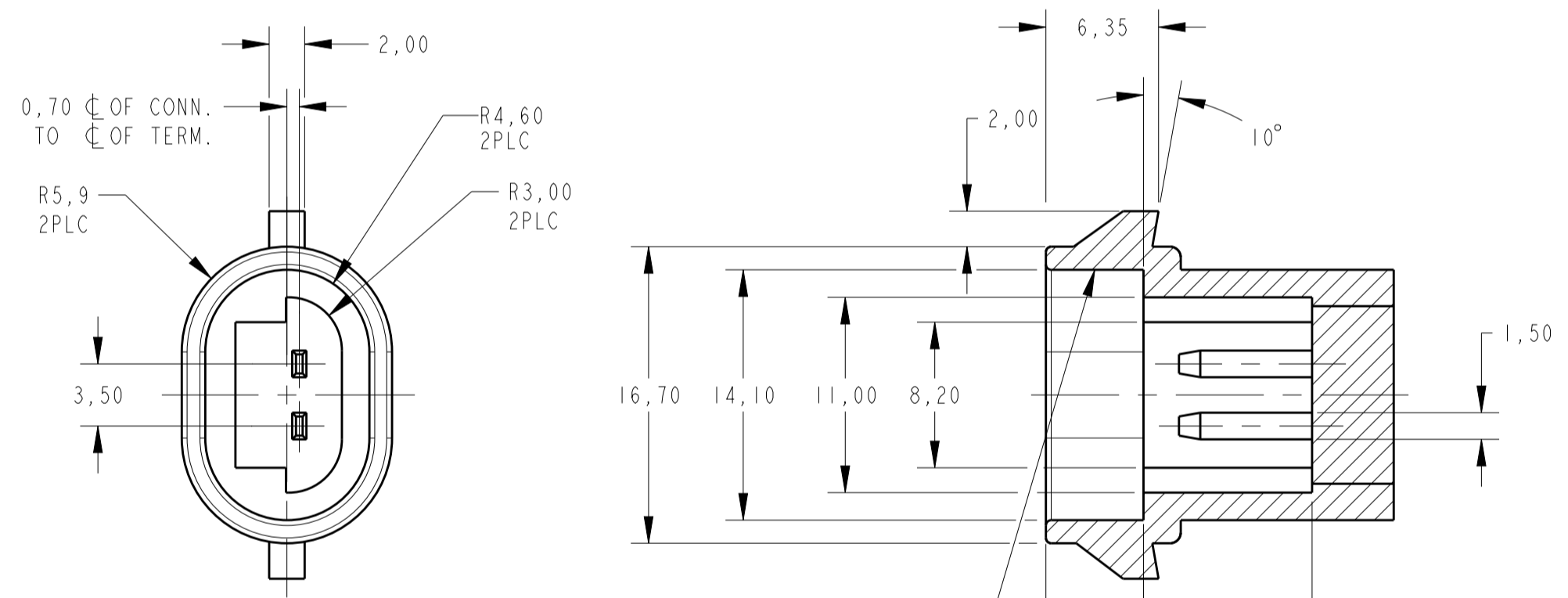
SECTION A-A



SECTION B-B

**INFORMAÇÕES DA CONTRA-PEÇA**

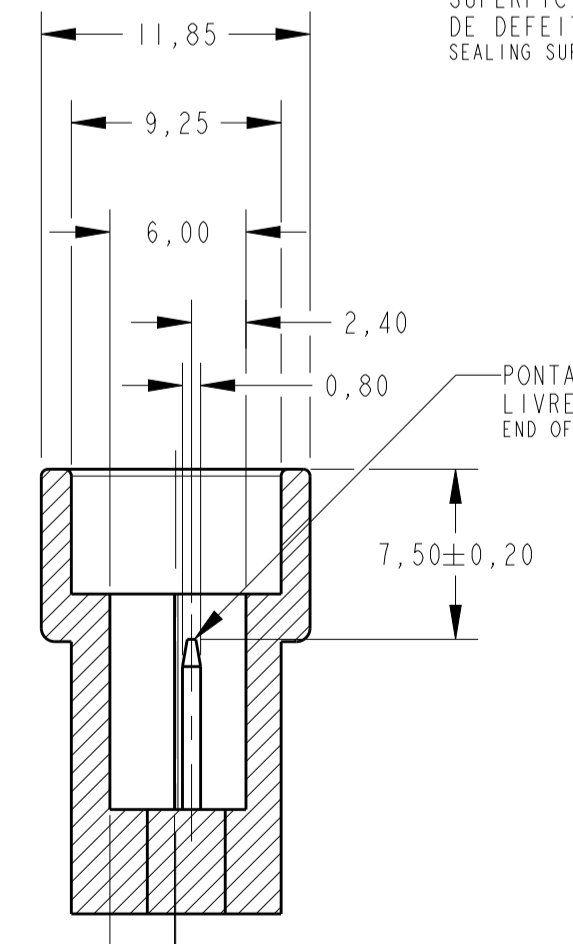
MATING CONNECTOR INFORMATION  
 SCALE 3:1



SUPERFÍCIE PARA O SELO DEVE SER LIVRE DE DEFETOS.  
 SEALING SURFACES MUST BE FREE OF DEFECTS

PONTA DO TERMINAL DEVE SER LIVRE DE REBARBAS  
 END OF TERMINAL MUST BE FREE OF BURRS

SECTION A-A



SECTION B-B

TOLERÂNCIA NÃO ESPECIFICADA ±0,10  
 TOLERANCE NOT SPECIFIED

- 1 - AS TRAVAS DEVEM ESTAR NA POSIÇÃO COMO MOSTRADO  
 - THE LOCKS MUST BE IN SHOWN POSITION
- 2 - GRAVAÇÕES QUE DEVERÃO CONSTAR:  
 - MARCA REGISTRADA AMP, NÚMERO DA PEÇA TE IDENTIFICAÇÃO DE CIRCUITO, NÚMERO DE CAVIDADE  
 - STAMP THAT MUST BE EVIDENT  
 - TRADEMARK AMP, PART NUMBER TE, CIRCUIT IDENTIFICATION, MANUFACTURER COUNTRY CODE, CAVITY IDENTIFICATION

REQ. PER ASSY	ITEM	DESCRIPTION	MATERIAL	FINISH
	1	HOUSING, 2 POSN., MULTI-LOCK REC	PA 6.6	PRETO / BLACK
	3	SEAL RING 2 POSN	PA 6.6	VERDE / GREEN
	3	SEAL RING 2 POSN	FLUOR SILICONE	MARRON AVERMELHADO REDDISH BROWN
	2	SPACER, 2 POSN., MULTI-LOCK REC	SILICONE	AMARELO / YELLOW
	1	HOUSING, 2 POSN., MULTI-LOCK REC	PA 6.6	VERDE / GREEN
444040	-2-1			

THIS DRAWING IS A CONTROLLED DOCUMENT.		OWN: NCLAPRESA 14JUL2015	TE Connectivity
DIMENSIONS: mm		CHK: FFORTUNATO 14JUL2015	
TOLERANCES UNLESS OTHERWISE SPECIFIED:		APV'D: DAOLIVEIRA 14JUL2015	
0 PLC ± 1 PLC ±0,3 2 PLC ± 3 PLC ± 4 PLC ± ANGLES ±1° FINISH		NAME: HOUSING ASSY., 2 POSN., MULTI-LOCK RECEP PRODUCT SPEC: 108-37021 APPLICATION SPEC:	
MATERIAL: SEE TABLE	SEE TABLE	WEIGHT: -	SIZE: A1 CAGE CODE: - DRAWING NO: C=444040 RESTRICTED TO: - Customer Drawing