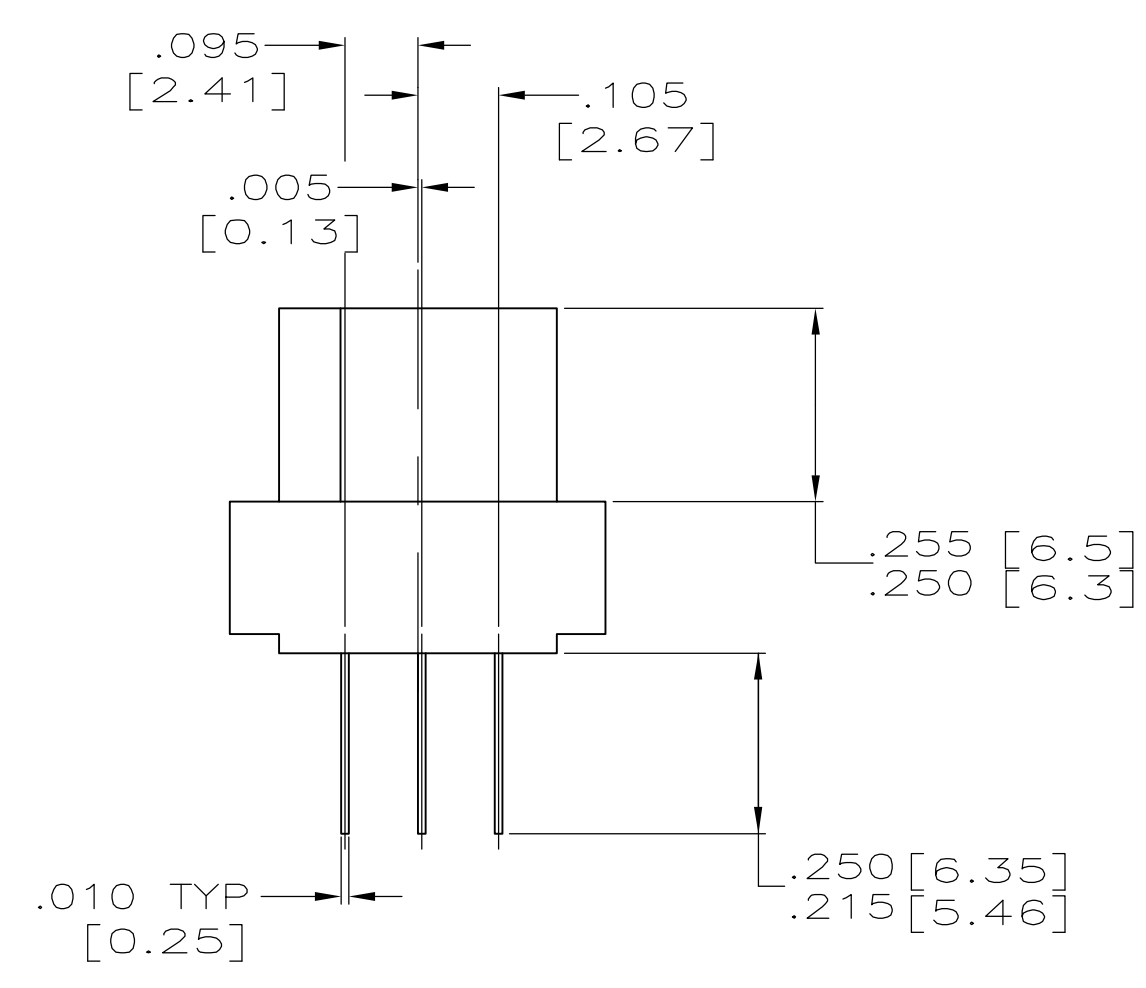
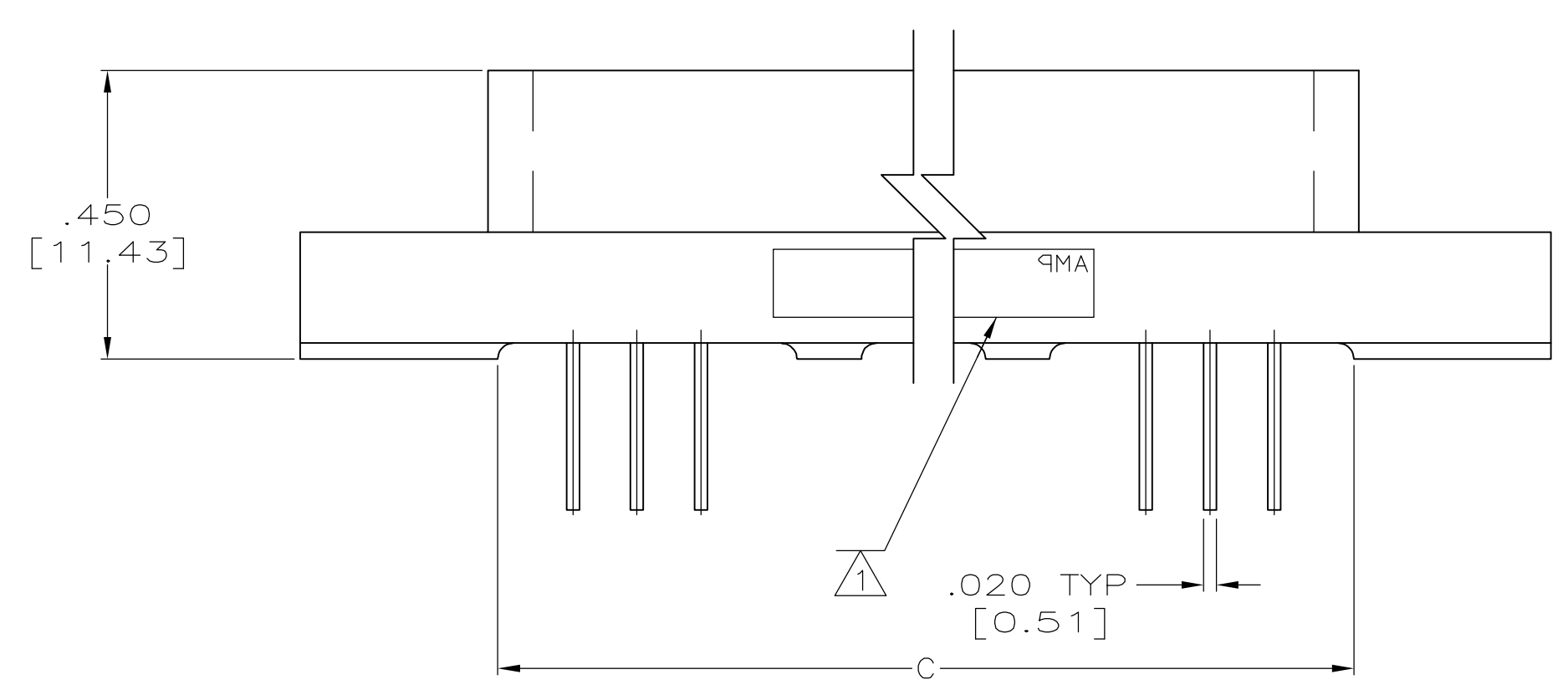


RECOMMENDED P.C. BOARD LAYOUT



- ① AMP, DATE CODE, AND PART NO. MARKED OPPOSITE SIDE
- ② HOUSING MAT'L: POLYPHENYLENE SULFIDE, GST-40F PER MIL-M-24519. COLOR: BROWN.
- ③ CONTACT MAT'L: BERYLLIUM COPPER PER ASTM B194 OR COPPER-NICKEL-SILICON PER UNS C70260.
- ④ CONTACT FINISH: .000050" [0.00127] GOLD IN CONTACT AREA, .000100" [0.0025] TIN-LEAD ON TAILS PER MIL-P-81728 OVER .000030 [0.00076] NICKEL ON ENTIRE CONTACT.
- ⑤ LETTERS INDICATING OUTSIDE ROWS AND NUMBERS INDICATING END CAVITIES MARKED THIS SURFACE.
- 6. MIL-C-55302 GROUP "A" INSPECTION REQUIRED.
- ⑦ LINES INDICATING EVERY FIVE CAVITIES MARKED ON MATING FACE EXCEPT END CAVITIES STARTING FROM POSN. #1.
- 8. EACH CONTACT HAS BEEN SEALED IN THE HOUSING WITH AN EPOXY SEALANT.

4.400 [111.76]	44	4.524 [114.91]	4.625 [117.47]	4.950 [125.73]	5.250 [133.35]	135	448011-3
3.900 [99.06]	39	4.024 [102.21]	4.125 [104.77]	4.450 [113.05]	4.750 [120.75]	120	448011-2
2.900 [73.66]	29	3.024 [76.81]	3.125 [79.37]	3.450 [87.63]	3.750 [95.25]	90	448011-1
F	E	D	C	B	A	POSN.	PART NO.

THIS DRAWING IS A CONTROLLED DOCUMENT.

DIMENSIONS:	TOLERANCES UNLESS OTHERWISE SPECIFIED:	DWN P. YEAGER 10-10-91	tyco Electronics	Tyco Electronics Corporation Harrisburg, PA 17105-3608
INCHES		CHK D. MILLER 10-10-91	NAME W. F. FOLEY	
0 PLC ± -		APRO PRODUCT SPEC	APPLICATION SPEC	SIZE CAGE CODE DRAWING NO
1 PLC ± -				RESTRICTED TO
2 PLC ± -				
3 PLC ± .010 [0.25]				
4 PLC ± -				
ANGLES ± -				
MATERIAL	FINISH	WEIGHT	A1 00779 ©=448011	
			CUSTOMER DRAWING	SCALE 4:1 SHEET 1 OF 1 REV B