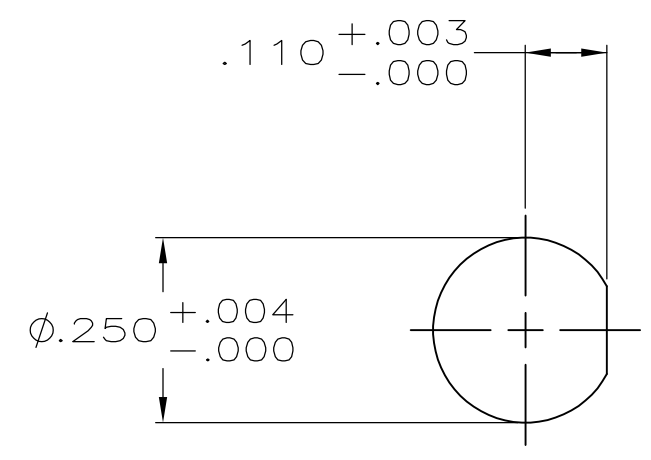
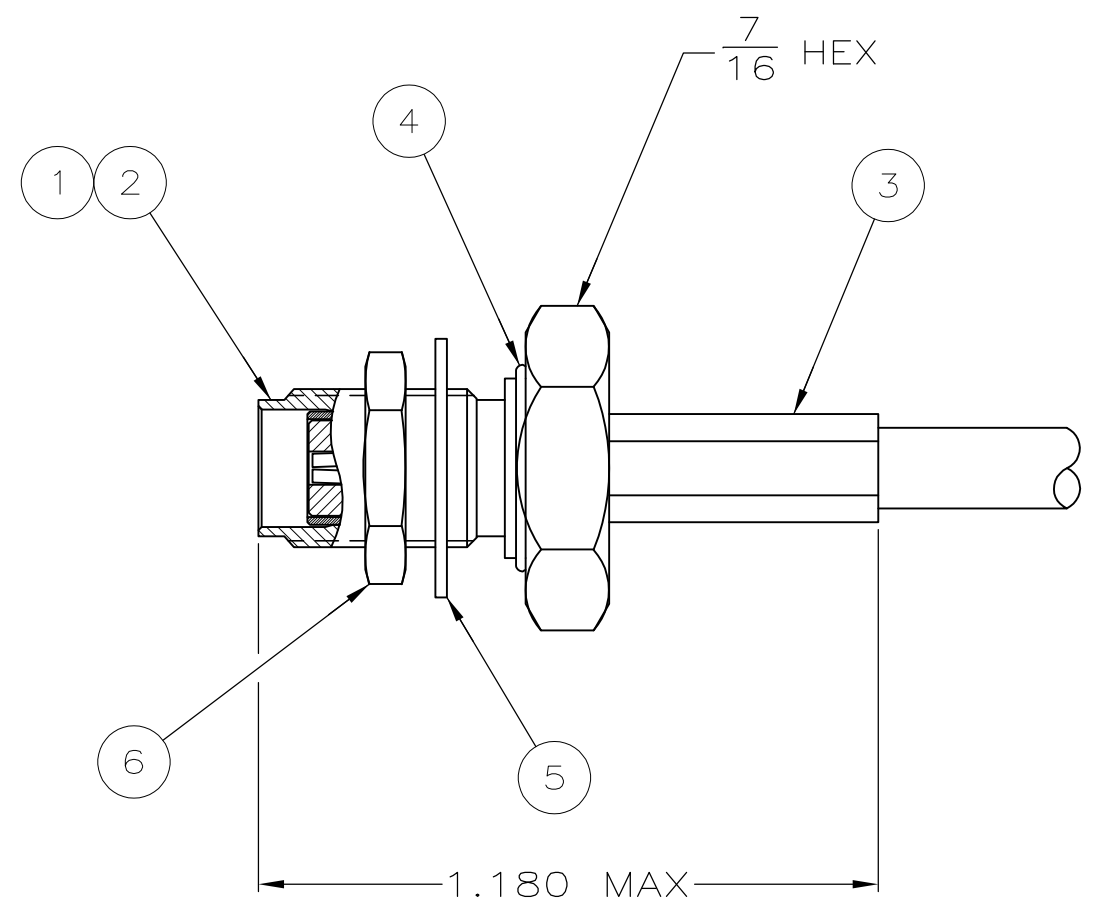
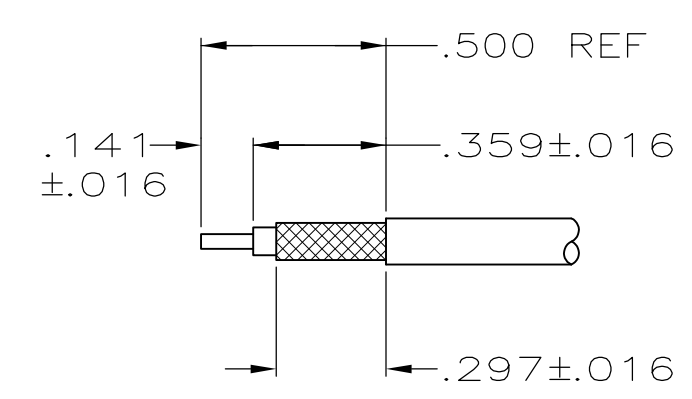


THIS DRAWING IS UNPUBLISHED. RELEASED FOR PUBLICATION
 © COPYRIGHT BY TYCO ELECTRONICS CORPORATION. ALL RIGHTS RESERVED.

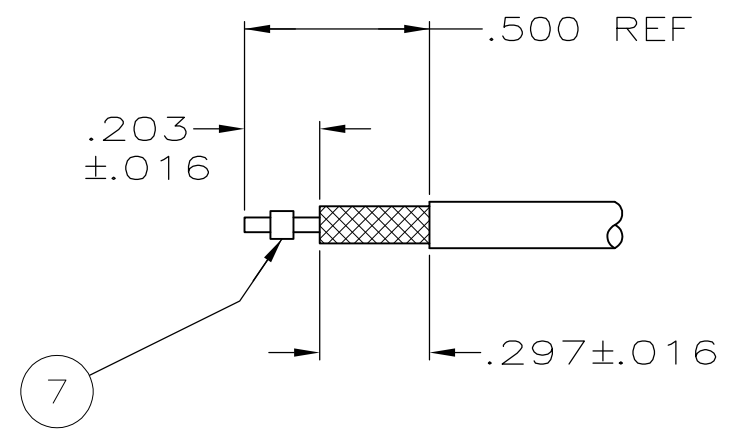
LOC		DIST		REVISIONS			
P	LTR	DESCRIPTION	DATE	DWN	APVD		
	G	PER EC OS14-0403-04	12/29/04	DC	DCam		
	G1	REVISED PER ECO-09-020932	04SEP09	KK	AEG		



RECOMMENDED PANEL CUTOUT



RECOMMENDED STRIP LENGTH FOR CRIMPED CENTER CONTACT 9



RECOMMENDED STRIP LENGTH FOR SOLDERED CENTER CONTACT 7

- 1 FOR USE WITH RG-142/U, 142 A/U, AND 142 B/U CABLE.
- 2 FOR USE WITH RG-174/U, 188/U, AND 316/U CABLE.
- 3 FOR USE WITH BELDEN YR20621, (RG-58 TYPE) CABLE WITH CRIMPED OR SOLDERED CENTER CONTACT.
- 4 FOR USE WITH RG-316/U CABLE WITH CRIMPED OR SOLDERED CENTER CONTACT.
- 5 CENTER CONTACT: CRIMPING TOOL M22520/2-01 POSITIONER, DMC K997 SELECTOR SETTING, SEE TABLE
- 6 FERRULE: CRIMPING TOOL M22520/5-01 DIE M22520/5-11 OR .213X.400 HEX
- 7 FERRULE: CRIMPING TOOL M22520/5-01 DIE M22520/5-35 B OR .128X.400 HEX
- 8. PRODUCT MEETS PRODUCT SPECIFICATION 108-1574.
- 9 ITEM 7 IS NOT USED WITH CRIMPED CENTER CONTACT (APPLICABLE TO 448103-3 ONLY).
- 10. INSTRUCTION SHEET: 408-4032
- 11 OBSOLETE PARTS: OBSOLETE CIS STREAMLINING PER D.RENAUD/D.SINISI

11	OBSOLETE	4	5	3	2	1	9	4	4	4	4		
	OBSOLETE	5	5	3	2	1	9	4	4	4	4		
	OBSOLETE	4	5	2	2	1	9	4	4	4	4		
	OBSOLETE	7	5	2	2	1	9	4	4	4	4		
		FERRULE CRIMPING TOOL	SELECTOR SETTING	CENTER CONTACT CRIMPING TOOL	CABLE SIZE	7 SPACER QTY=1	6 JAM NUT QTY=1	5 LOCK-WASHER QTY=1	4 O-RING QTY=1	3 FERRULE QTY=1	2 CONTACT QTY=1	1 BULKHEAD JACK ASSY QTY=1	PART NUMBER

THIS DRAWING IS A CONTROLLED DOCUMENT.

DWN	BRENT D. YOHN	11-20-92
CHK	LANG LE	11-24-92
APVD	LANG LE	11-24-92
PRODUCT SPEC		
APPLICATION SPEC		
WEIGHT		
CUSTOMER DRAWING		

tyco Electronics Tyco Electronics Corporation
Harrisburg, PA 17105-3608

NAME: CONNECTOR, JACK, BULKHEAD, SMA, HEX CRIMP, COMMERCIAL

SIZE	A2	CAGE CODE	00779	DRAWING NO	C=448103	RESTRICTED TO	
SCALE	NONE	SHEET	1	OF	1	REV	G1

448103