

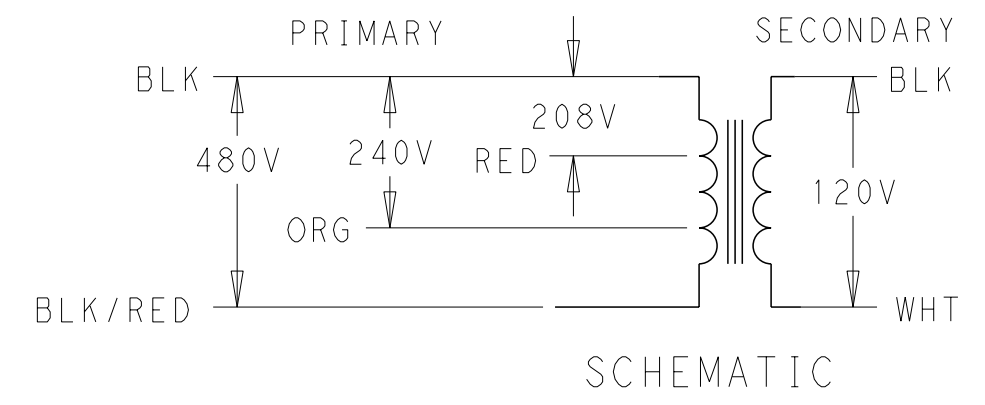
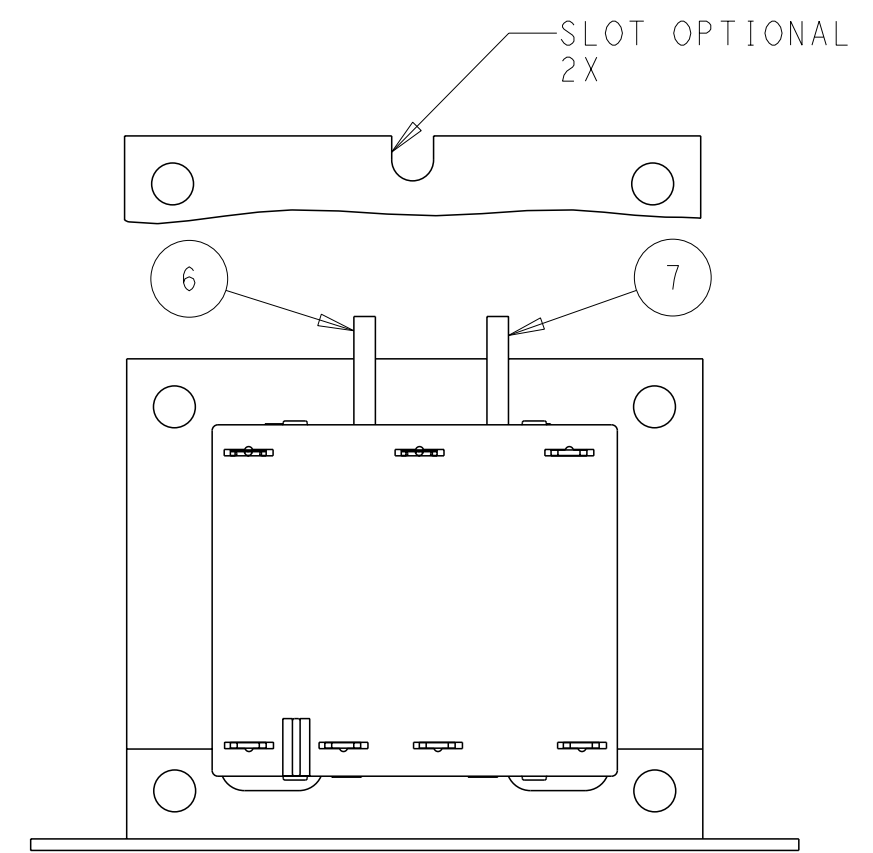
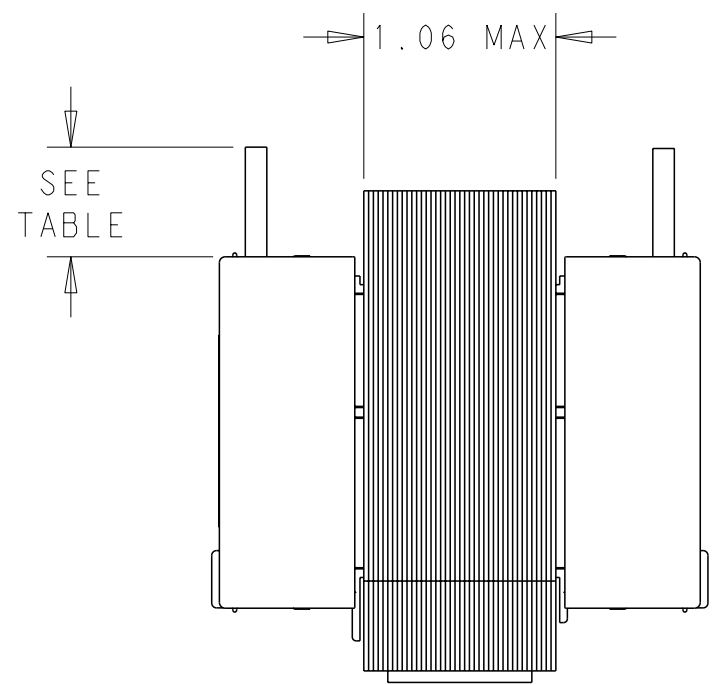
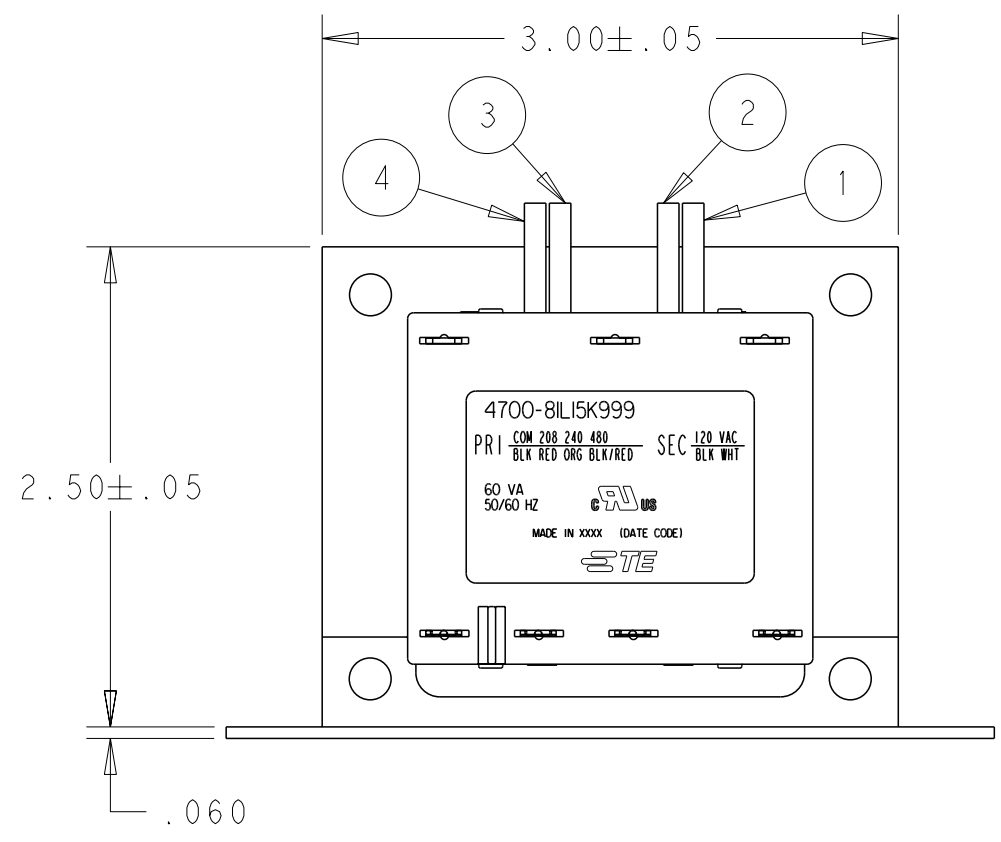
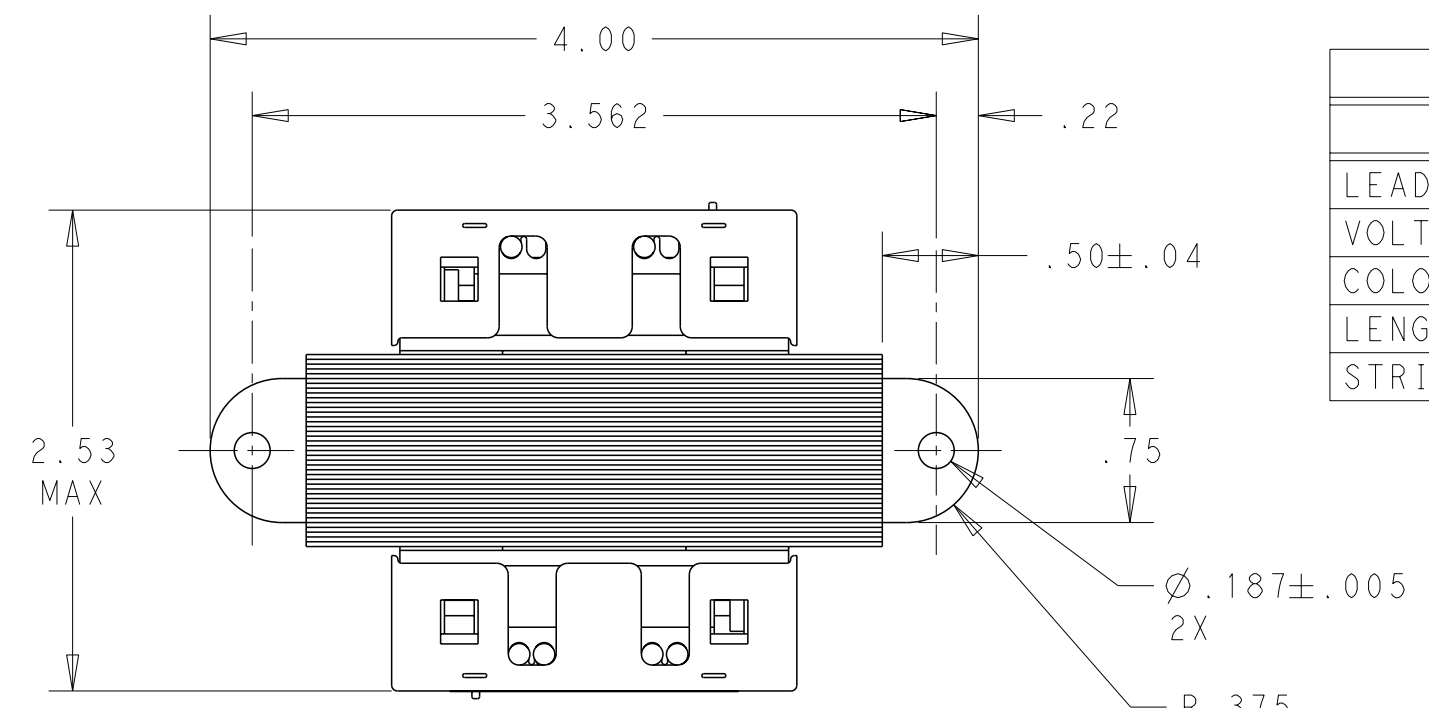
THIS DRAWING IS UNPUBLISHED. RELEASED FOR PUBLICATION 20  
 © COPYRIGHT 20 BY - ALL RIGHTS RESERVED.

REVISIONS				
P	LTR	DESCRIPTION	DATE	DWN APVD
	D	ECR-13-013918	02JAN2015	VS DB

CERTIFICATION: UL & CUL FILE NO. E102980

PRIMARY					SECONDARY		
LEAD NO.	1	2	3	4	LEAD NO.	6	7
VOLTAGE	COM	208	240	480	VOLTAGE	120	VAC
COLOR	BLK	RED	ORG	BLK/RED	COLOR	BLK	WHT
LENGTH	12.0	12.0	12.0	12.0	LENGTH	12.0	12.0
STRIP LENGTH	.50	.50	.50	.50	STRIP LENGTH	.50	.50

1. ALL LEADS ARE 18AWG UNLESS OTHERWISE SPECIFIED AND HAVE A TOLERANCE OF +1.0/-0
2. STRIP TOLERANCE IS ±1/32.
3. WINDING PROTECTION: NONE.



THIS DRAWING IS A CONTROLLED DOCUMENT.

DIMENSIONS: INCHES	TOLERANCES UNLESS OTHERWISE SPECIFIED:
0 PLC	±-
1 PLC	±.1
2 PLC	±.03
3 PLC	±.015
4 PLC	±-
ANGLES	±-
MATERIAL	FINISH
-	-
-	-

DWN	VIC SLACK	22JAN2014
CHK	D. BLOESCH	22JAN2014
APVD	D. BLOESCH	22JAN2014
PRODUCT SPEC	-	-
APPLICATION SPEC	-	-
WEIGHT	-	-
Customer Drawing		

<b>STC</b> TE Connectivity			
NAME: TRANSFORMER OUTLINE			
SIZE	CAGE CODE	DRAWING NO	RESTRICTED TO
A3	-	4700-81L15K999	-
SCALE: 1:1		SHEET: 1 OF 1	REV: D

1-1611467-1  
TE PART NO.