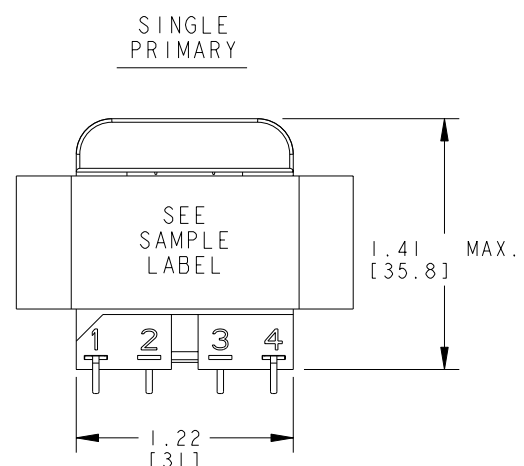
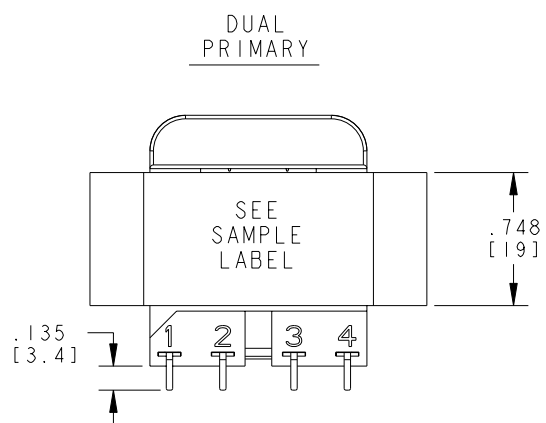


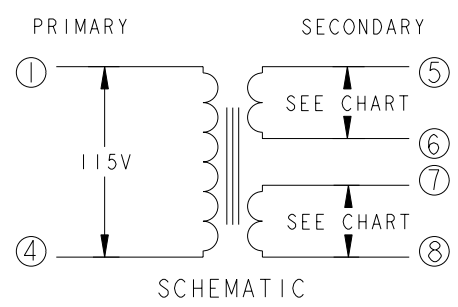
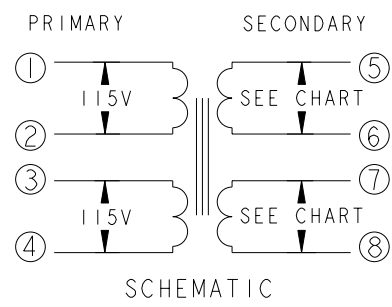
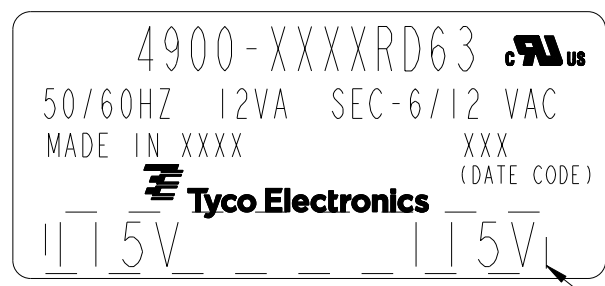
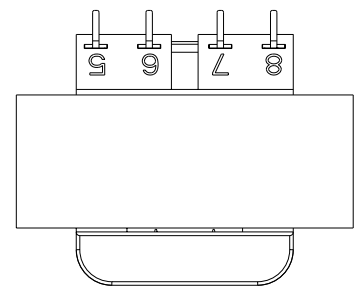
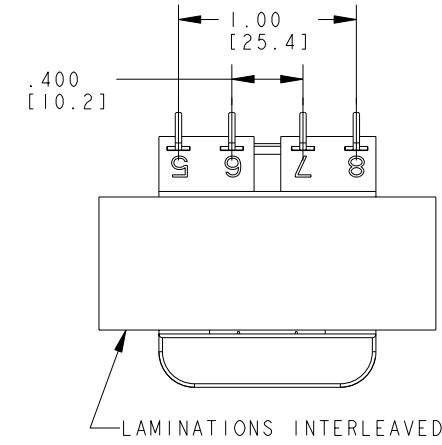
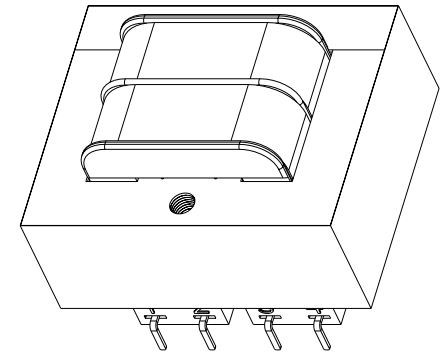
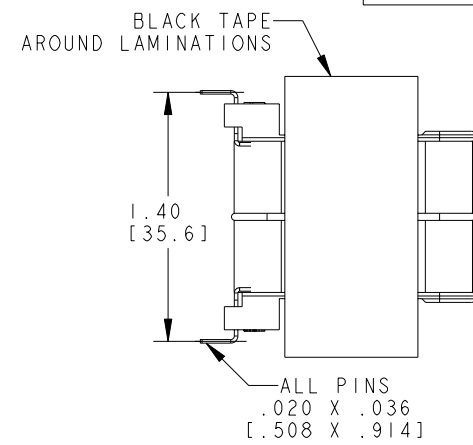
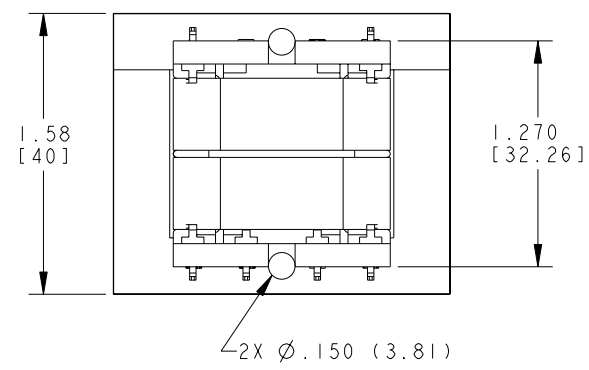
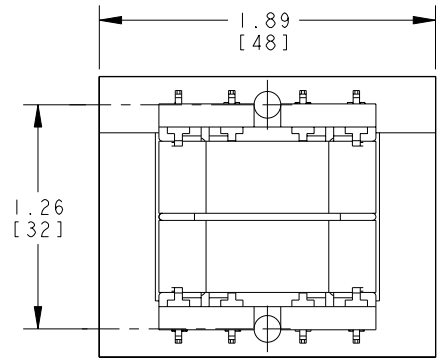
THIS DRAWING IS UNPUBLISHED. RELEASED FOR PUBLICATION 20
 © COPYRIGHT 20 BY TYCO ELECTRONICS CORPORATION. ALL RIGHTS RESERVED.

| LOC | DIST | REVISIONS | | | | | |
|-----|------|-----------|-----|---------------|-----------|-----|------|
| | | P | LTR | DESCRIPTION | DATE | DWN | APVD |
| GZ | 00 | C | | ECR-09-005727 | 02APR2009 | JS | JH |
| | | D | | ECR-09-011630 | 11JUN2009 | JS | DB |



CERTIFICATION: UL/CUL FILE NO. E102980 HZ. 50/60 V.A. 12
 DIMENSIONS FOR REFERENCE ONLY.

| PRIMARY | SECONDARY | P. U. PART NUMBER | TYCO ELECTRONICS PART NUMBER |
|-------------|------------------|-------------------|------------------------------|
| | SERIES PARALLEL | | |
| 115 VAC | 12 VCT 6 VAC | 4900-8012RD63 | 1672325-2 |
| 115 VAC | 12.6 VCT 6.3 VAC | 4900-8013RD63 | 1672325-3 |
| 115 VAC | 24 VCT 12 VAC | 4900-8024RD63 | 1672325-6 |
| 115 VAC | 28 VCT 14 VAC | 4900-8028RD63 | 1672325-7 |
| 115 VAC | 48 VCT 24 VAC | 4900-8048RD63 | 1-1672325-0 |
| 115/230 VAC | 12 VCT 6 VAC | 4900-9012RD63 | 1-1672325-4 |
| 115/230 VAC | 12.6 VCT 6.3 VAC | 4900-9013RD63 | 1-1672325-5 |
| 115/230 VAC | 24 VCT 12 VAC | 4900-9024RD63 | 1-1672325-8 |
| 115/230 VAC | 28 VCT 14 VAC | 4900-9028RD63 | 1-1672325-9 |
| 115/230 VAC | 48 VCT 24 VAC | 4900-9048RD63 | 2-1672325-2 |



| | | | | |
|---|--|----------------------------|---|-----------------|
| THIS DRAWING IS A CONTROLLED DOCUMENT FOR TYCO ELECTRONICS CORPORATION. IT IS SUBJECT TO CHANGE AND THE CONTROLLING ENGINEERING ORGANIZATION SHOULD BE CONTACTED FOR THE LATEST REVISION. | | DWN J. SLIKE 22JUL2008 | Tyco Electronics Harrisburg, PA 17105-3608 | |
| DIMENSIONS: INCHES [mm] | | CHK J. HURLBURY 22JUL2008 | NAME | |
| TOLERANCES UNLESS OTHERWISE SPECIFIED: | | APVD J. HURLBURY 22JUL2008 | TRANSFORMER OUTLINE | |
| 0 PLC ± | | PRODUCT SPEC | RESTRICTED TO | |
| 1 PLC ± | | APPLICATION SPEC | SIZE A2 | CAGE CODE 00779 |
| 2 PLC ±.01 | | WEIGHT | DRAWING NO. 4900-RD63 | SCALE 5:1 |
| 3 PLC ±.005 | | CUSTOMER DRAWING | SHEET 1 OF 1 | REV D |
| 4 PLC ± | | | | |
| ANGLES ± | | | | |
| FINISH | | | | |