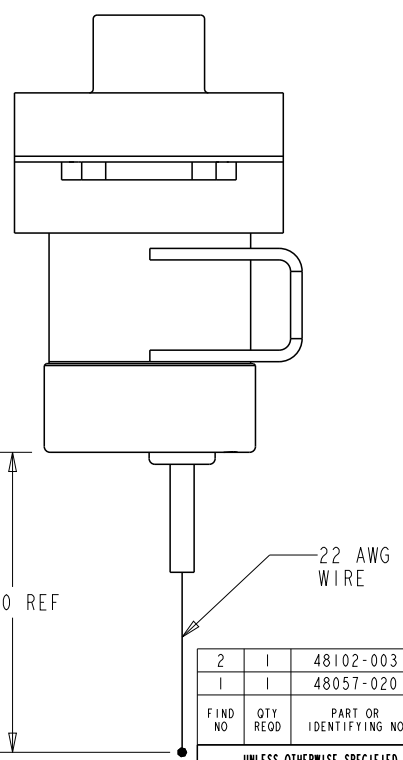
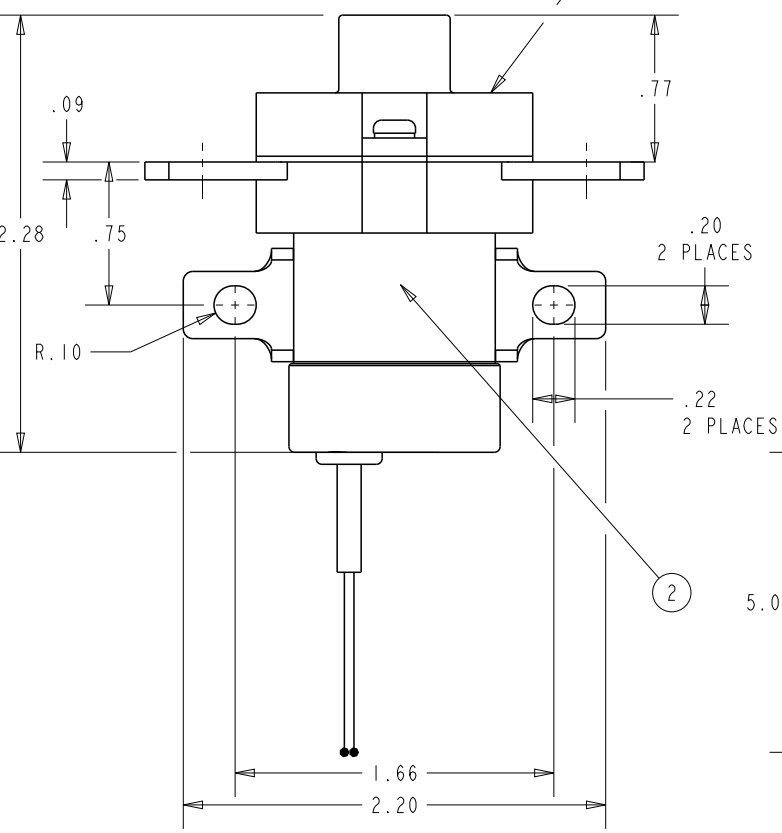
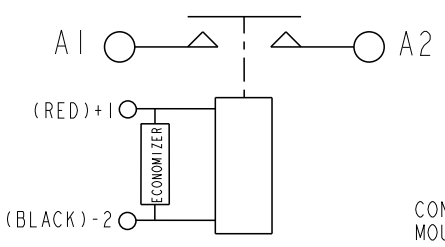
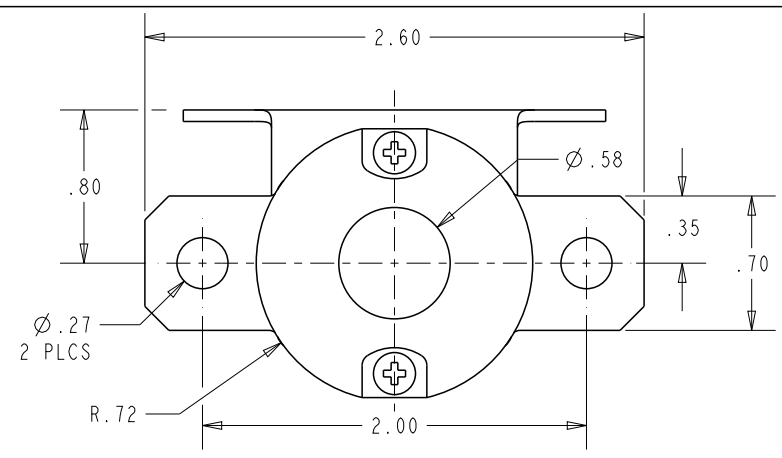


| REVISIONS | | RELEASED | APPROVED |
|-----------|--|----------|----------|
| REV. | DESCRIPTION | DATE | |
| A | RELEASED TO PRODUCTION | 11-03-04 | CB |
| B | 11-012711 UPDATED VIEW OF WIRING HARNESS | 11-06-06 | CB |
| C | 11-020414 WEIGHT WAS .31 LBS MAX | 11-09-08 | CB |



CONSTRUCTION MOUNTING STYLE: GASKET SEALED CHASSIS MOUNT

MAIN CONTACTS CONFIGURATION: SPST N.O. DOUBLE MAKE

VOLTAGE: 28 VDC

CURRENT: 200 AMPS, 1200 AMPS, 2000 AMPS

RESISTIVE MOTORLOAD RUPTURE

COIL DATA: DUTY CYCLE: CONTINUOUS (ECONOMIZED)

NOM. OPERATE VOLTAGE: 28 VDC

PICKUP VOLTAGE: 18 VDC MAX

DROP VOLTAGE: 1-9 VDC

PICKUP TIME: 15 mS

DROPOUT TIME: 15 mS

COIL CURRENT: 5 AMPS MAX AT 28 VDC & 25°C

INRUSH HOLDING SUPPRESSION: 300 mA MAX AT 28 VDC & 25°C

±45 VDC

ENVIRONMENTAL DATA: TEMPERATURE: -55°C TO +85°C

ALTITUDE: 50,000 FEET

LIFE ELECTRICAL: 50,000 CYCLES MIN.

LIFE MECHANICAL: 100,000 CYCLES MIN.

WEIGHT: .33 LBS MAX

| | | | | | | | |
|---------|----------|------------------------|-----------------------------|--------------------------|---------|-------------|------------------|
| 2 | 1 | 48102-003 | NAME PLATE | | | 8-1616974-4 | |
| 1 | 1 | 48057-020 | PRIMARY ASSEMBLY - K200A1C | | | 2-1616971-0 | |
| FIND NO | QTY RECD | PART OR IDENTIFYING NO | NOMENCLATURE OR DESCRIPTION | DRAWING OR SPECIFICATION | FSCM NO | TE PART NO | MATERIAL OR NOTE |

UNLESS OTHERWISE SPECIFIED DIMENSIONS ARE IN INCHES TOLERANCES ON

| | | |
|-----------|-------------|--------|
| 2 PL DEC. | .13 PL DEC. | ANGLES |
| ±.06 | ±.010 | ± 1° |

DR BY: KL 08-02-04
 CHK BY: CB 11-03-10
 ENGR: RSS 11-03-10
 MFG: BH 11-03-10

SIZE: A CODE IDENT: 74063

SCALE 1:1 SHEET 1 OF 1

STC
 Harman Division 175 N. DIAMOND STREET MANSFIELD, OHIO 44902

CONTACTOR-SPST NO DB
 200 AMP, 28 VDC

DWG NO. K200A1C

REF TE PN 5-1616970-9