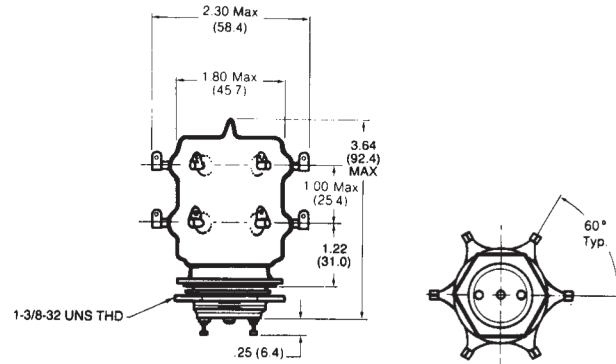
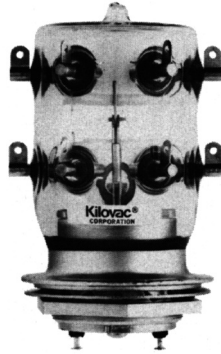


## H-26 Series Make & Break Load Switching — 15 kV Relays

### Product Facts

- Highly reliable four pole double throw relay
- Used to switch multiple loads and for polarity reversal
- Vacuum dielectric for power switching low current loads
- Meets requirements of MIL-R-83725



### Product Specifications

**Contact Arrangement** — 4PDT

**Contact Form** — 4C

**Test Voltage, DC or 60 Hz (Peak)** — 17 kV

**Rated Operating Voltage (Peak)** —  
 DC or 60 Hz — 15 kV  
 2.5 MHz — 12 kV  
 16 MHz — 10 kV  
 32 MHz — 7 kV

**Continuous Carry Current, Max.** —  
 DC or 60 Hz — 30 A  
 2.5 MHz — 10 A  
 16 MHz — 6 A  
 32 MHz — 4 A  
 Coil Hi-Pot (Vrms, 60 Hz) — 500 A

### Contact Capacitance —

Between Open Contacts — 1 pF  
 Open Contacts to Ground — 2.5 pF

**Contact Resistance, Max.** — 0.02 ohm

**Operate Time, Max.** — 30 ms

**Release Time, Max.** — 30 ms

**Shock, 11ms, 1/2 Sine (Peak)** — 30 g

**Vibration** —  
 Peak — 10 g (55 to 500 Hz)

**Operating Ambient Temperature Range** — -55°C to +125°C

**Mechanical Life** — 100,000 cycles

**Weight, Nominal** — 340 g (12 oz.)

### Coil Data

Volts, Nominal DC	12 V	26.5 V	115 V
Pickup, Max.	8 Vdc	16 Vdc	80 Vdc
Dropout	.5-5 Vdc	1-10 Vdc	5-50 Vdc
Coil Resistance (±10%)	N/A	130 Ω	2100 Ω

Ratings listed are for 25°C, sea level conditions

### Ordering Information

**Sample Part Number** ▶

**H-26 /12Vdc**

**Model:** \_\_\_\_\_

H-26

**Coil Voltage:** \_\_\_\_\_

Blank = 26.5 Vdc

/12Vdc = 12 Vdc

/115Vdc = 115 Vdc

For factory-direct application assistance, dial 800-253-4560, ext. 2055, or 805-220-2055.