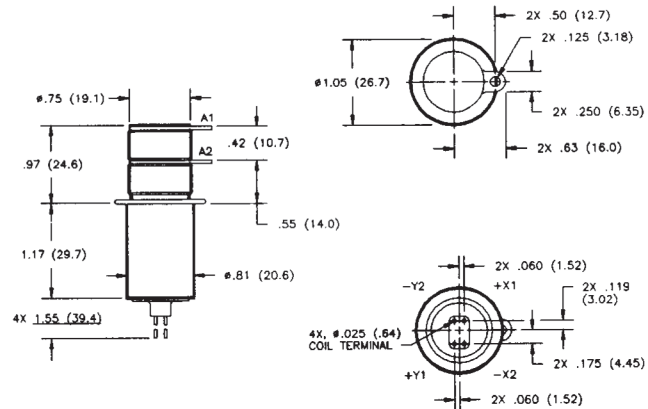


## K44P Make & Break Load Switching — 8 kV Relays

### Product Facts

- Single pole, single throw contacts with latching actuator
- Vacuum dielectric for power switching low current loads
- 20 G vibration rating
- Carries 50 Amps at DC
- Space rated versions available
- Meets requirements of MIL-R-83725



### Product Specifications

#### Contact Arrangement —

SPST-Latching

#### Contact Form — P

**Test Voltage, DC or 60 Hz (Peak) —**  
10 kV

#### Rated Operating Voltage (Peak) —

DC or 60 Hz — 8 kV

2.5 MHz — 7 kV

16 MHz — 6 kV

32 MHz — 4 kV

#### Continuous Carry Current, Max. —

DC or 60 Hz — 50 A

2.5 MHz — 40 A

16 MHz — 25 A

32 MHz — 20 A

Coil Hi-Pot (Vrms, 60 Hz) — 500 A

#### Contact Capacitance —

Between Open Contacts — 2.5 pF

Open Contacts to Ground — 2.8 pF

#### Contact Resistance, Max. —

0.01 ohm

#### Operate Time, Max. — 5 ms

#### Release Time, Max. — N/A

#### Shock, 11ms, 1/2 Sine (Peak) —

50 g

#### Vibration —

Peak — 20 g (55 to 2000 Hz)

#### Operating Ambient Temperature

**Range —** -55°C to +85°C

#### Mechanical Life — 1 million cycles

#### Weight, Nominal —

59.53 g (2.1 oz.)

### Coil Data

Volts, Nominal	26.5 Vdc
Latch & Reset, Max.	23 Vdc
Dropout	N/A
Coil Resistance ( $\pm 10\%$ )	155 $\Omega$

Ratings listed are for 25°C, sea level conditions

### Ordering Information

#### Sample Part Number ▶

**K44 P 3 3 4**

#### Series: \_\_\_\_\_

#### Contact Form: \_\_\_\_\_

P = SPST-Latching

#### Coil Voltage: \_\_\_\_\_

3 = 26.5 Vdc, Bus Wire

#### High Voltage Connections: \_\_\_\_\_

3 = Solder Connection

#### Mounting: \_\_\_\_\_

2 = Flanged

4 = Standard

**\*See page 7-87 for mounting methods.**

For factory-direct application assistance,  
dial 800-253-4560, ext. 2055, or  
805-220-2055.