

4

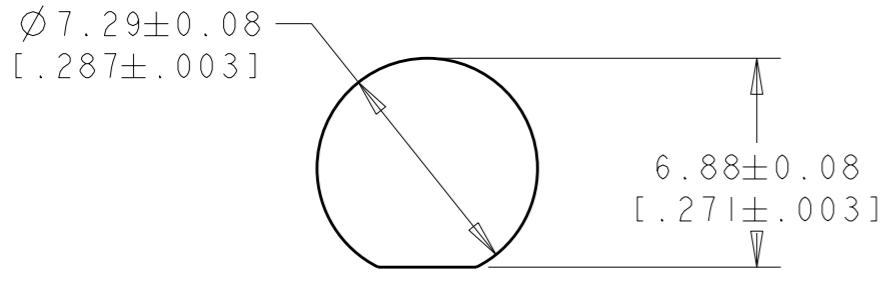
3

2

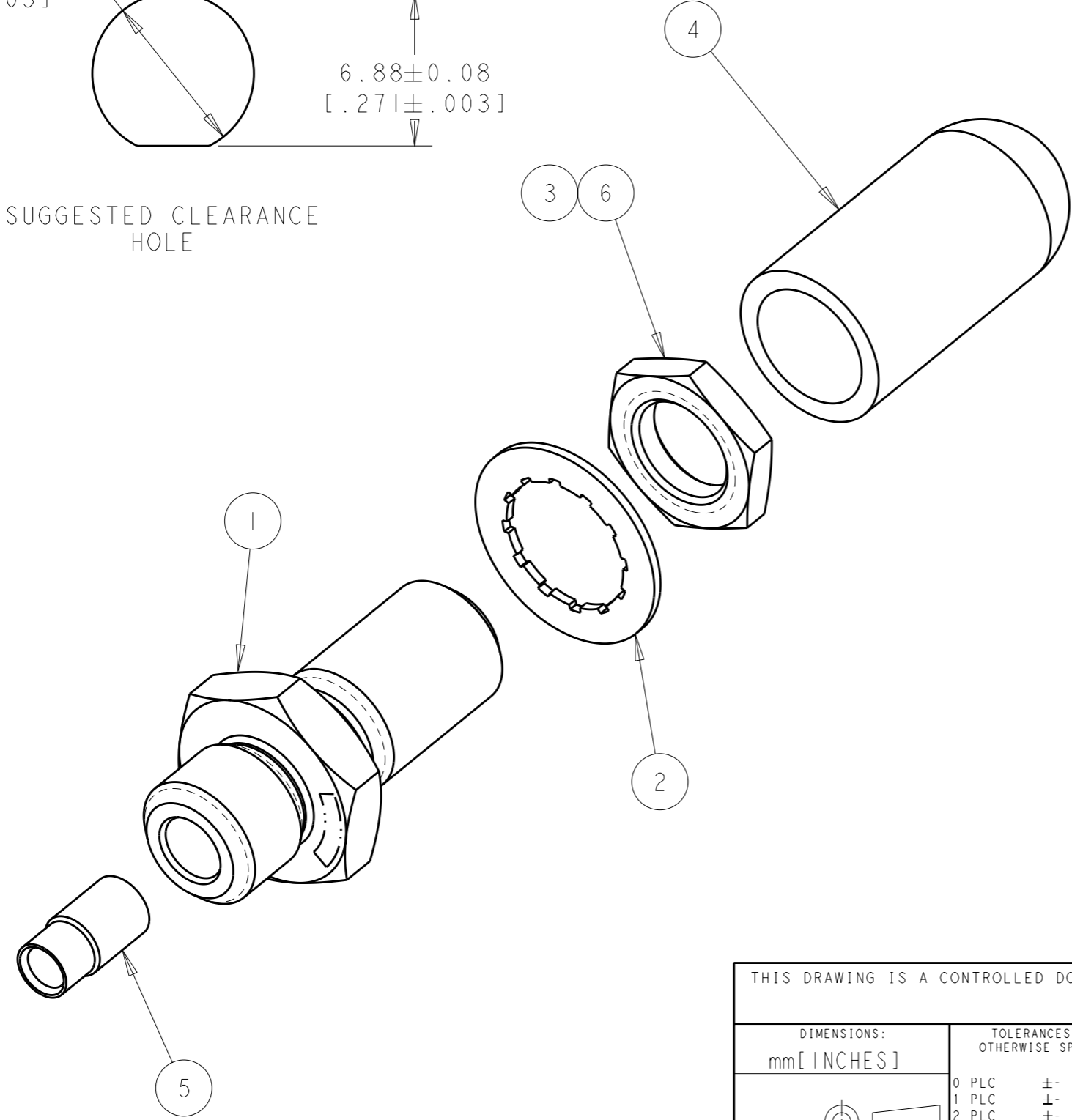
1

THIS DRAWING IS UNPUBLISHED. RELEASED FOR PUBLICATION 20
 © COPYRIGHT 20 BY - ALL RIGHTS RESERVED.

LOC	DIST	REVISIONS					
		P	LTR	DESCRIPTION	DATE	DWN	APVD
CE	00		H	REVISED PER ECR 11-022976	13NOV2011	DLF	LS



SUGGESTED CLEARANCE HOLE



1. PRODUCT CONNECTS 905 FSMA TO 905 FSMA OR 906 FSMA TO 906 FSMA. DO NOT CONNECT 905 TO 906.
2. FOR USE WITH 5.5[0.219] MAXIMUM PANEL THICKNESS.

OBSOLETE

QTY	UNIT	PART NUMBER	DESCRIPTION	ITEM NO.
1	-	981155-9	JAM NUT	6
1	1	501047-1	ALIGNMENT SLEEVE, FULL	5
2	2	1828874-6	PROTECTIVE CAP	4
-	1	981155-4	JAM NUT	3
1	1	1-22145-3	LOCK WASHER	2
1	1	501238-2	COUPLING BUSHING, FSMA	1
-2	-1	PART NUMBER	DESCRIPTION	ITEM NO.

THIS DRAWING IS A CONTROLLED DOCUMENT.		DWN B. BRIGGS 27SEP2005	TE Connectivity	
DIMENSIONS: mm [INCHES]		CHK L. SAUERWEIN 27SEP2005		
TOLERANCES UNLESS OTHERWISE SPECIFIED:		APVD S. BUCHTER 27SEP2005	NAME COUPLING BUSHING KIT, UNSEALED, FSMA	
0 PLC ±- 1 PLC ±- 2 PLC ±- 3 PLC ±- 4 PLC ±- ANGLES ±-		PRODUCT SPEC 108-45106	RESTRICTED TO	
MATERIAL -		APPLICATION SPEC -	SIZE A3	CAGE CODE 00779
FINISH -		WEIGHT -	DRAWING NO C-501049	REV H
CUSTOMER DRAWING			SCALE 4:1	SHEET 1