

THIS DRAWING IS UNPUBLISHED.

RELEASED FOR PUBLICATION

20

© COPYRIGHT 20

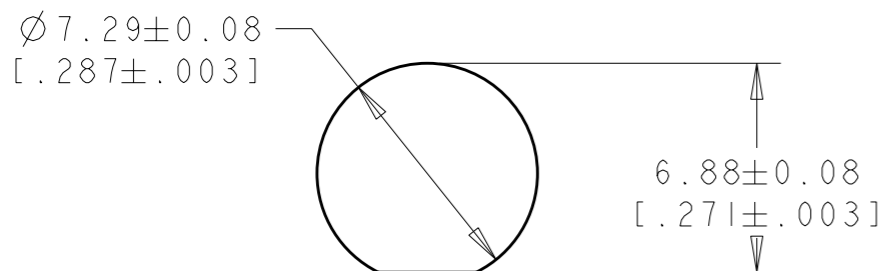
BY -

ALL RIGHTS RESERVED.

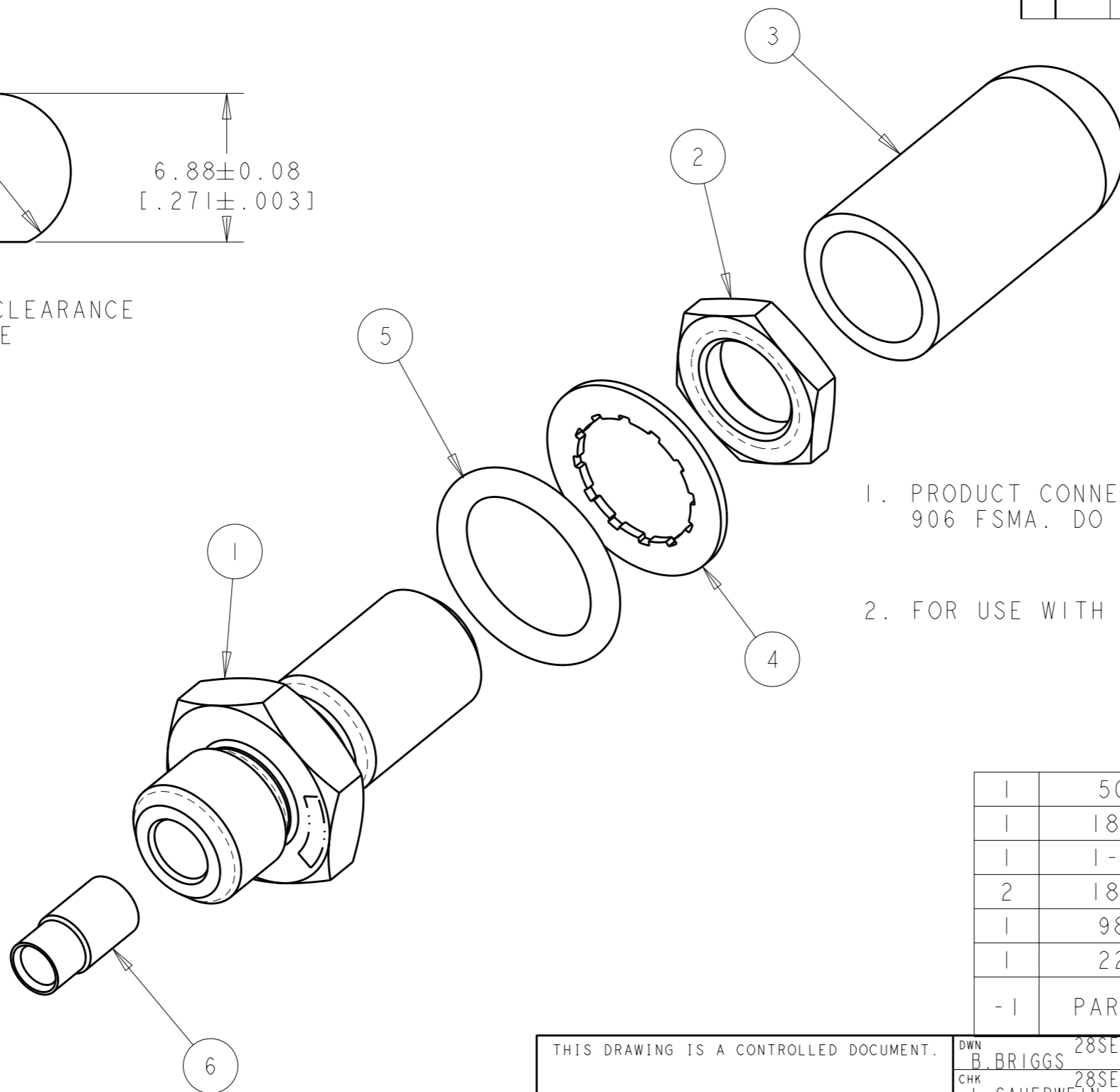
LOC CE DIST 00

REVISIONS

P	LTR	DESCRIPTION	DATE	DWN	APVD
	J	REVISED PER ECR 11-022976	13NOV2011	DLF	LS



SUGGESTED CLEARANCE HOLE



1. PRODUCT CONNECTS 905 FSMA TO 905 FSMA OR 906 FSMA TO 906 FSMA. DO NOT CONNECT 905 TO 906.
2. FOR USE WITH 7.0[0.281] MAXIMUM PANEL THICKNESS.

QTY	PART NUMBER	DESCRIPTION	ITEM NO.
1	501047-1	ALIGNMENT SLEEVE, FULL	6
1	1828900-1	O RING SEAL	5
1	1-22145-3	LOCK WASHER	4
2	1828874-6	PROTECTIVE CAP	3
1	981155-4	JAM NUT	2
1	228053-2	COUPLING BUSHING, FSMA	1
- 1	PART NUMBER	DESCRIPTION	ITEM NO.

THIS DRAWING IS A CONTROLLED DOCUMENT.

DWN B. BRIGGS 28SEP2005
 CHK L. SAUERWEIN 28SEP2005
 APVD S. BUCHTER 28SEP2005



DIMENSIONS:	TOLERANCES UNLESS OTHERWISE SPECIFIED:
mm [INCHES]	
	0 PLC ±-
	1 PLC ±-
	2 PLC ±-
	3 PLC ±-
	4 PLC ±-
	ANGLES ±-

NAME: COUPLING BUSHING KIT, SEALED, FSMA
 SIZE: A3 CAGE CODE: 00779 DRAWING NO: C-501050 RESTRICTED TO: -

MATERIAL: - FINISH: - WEIGHT: -
 CUSTOMER DRAWING SCALE: 4:1 SHEET: 1 OF 1 REV: J