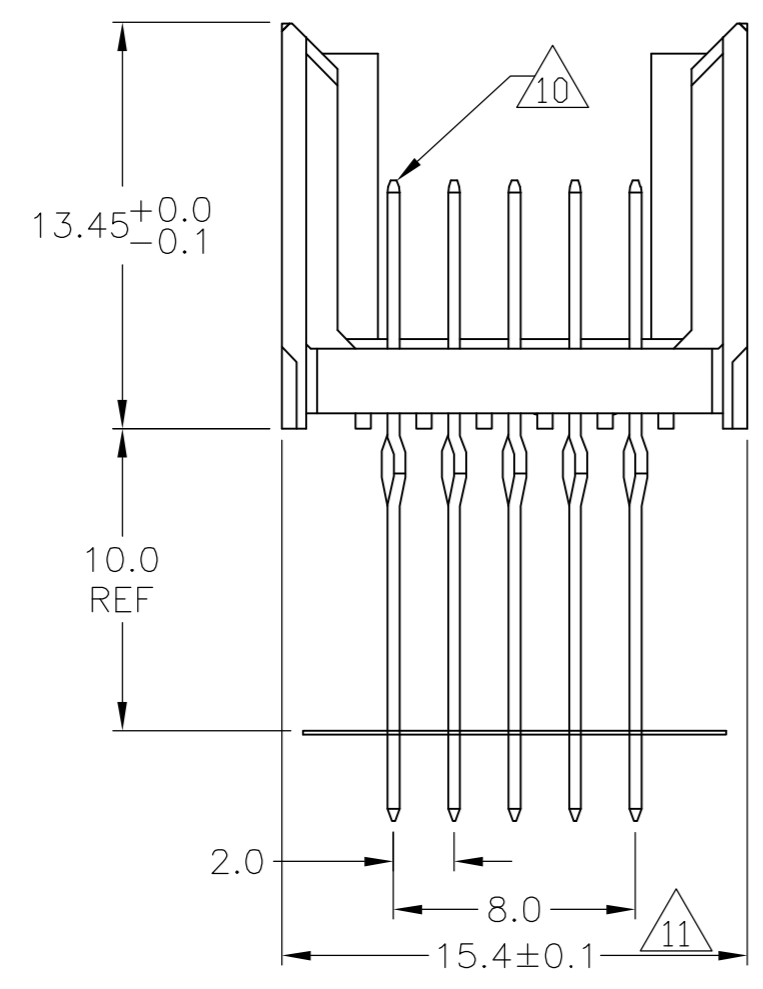
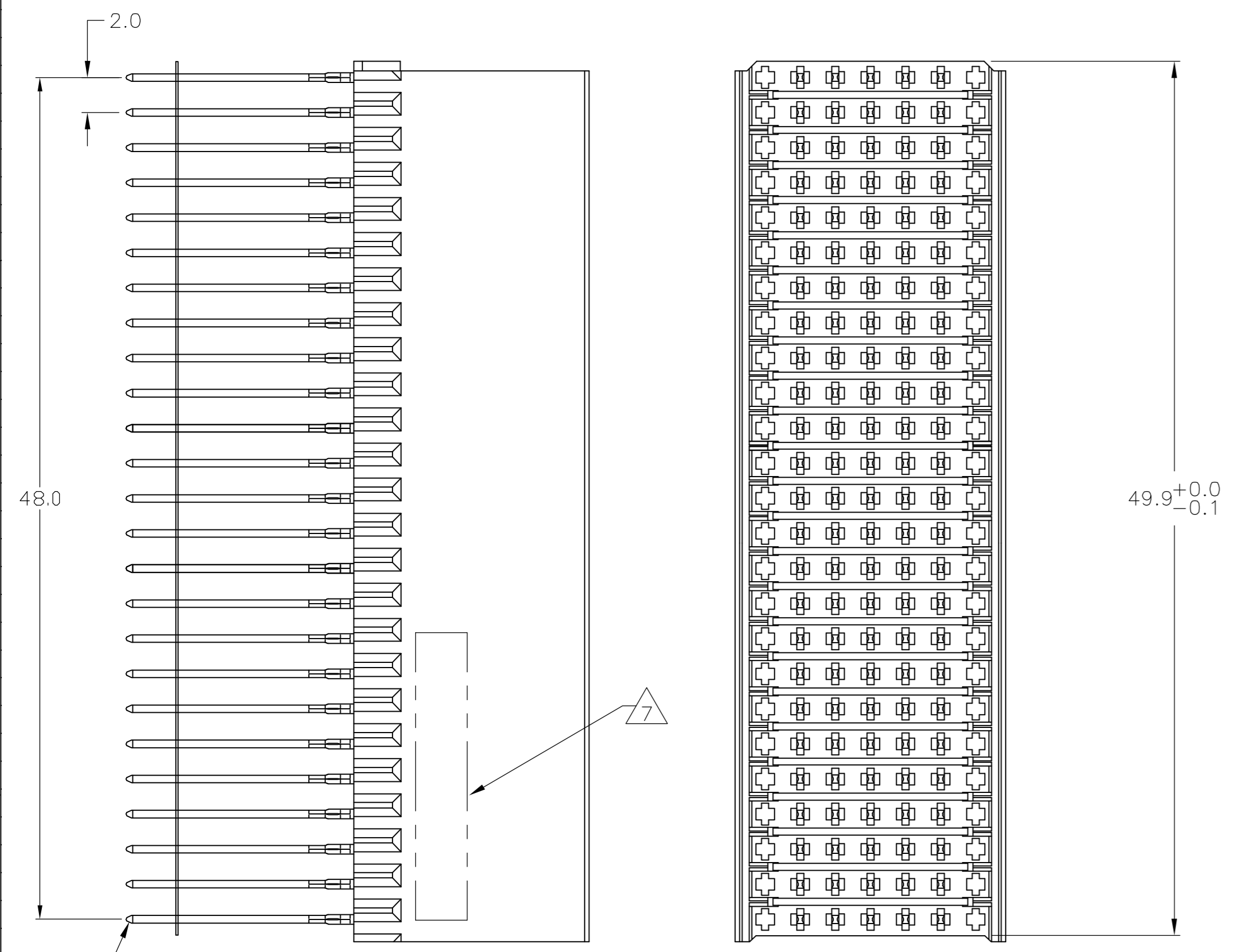
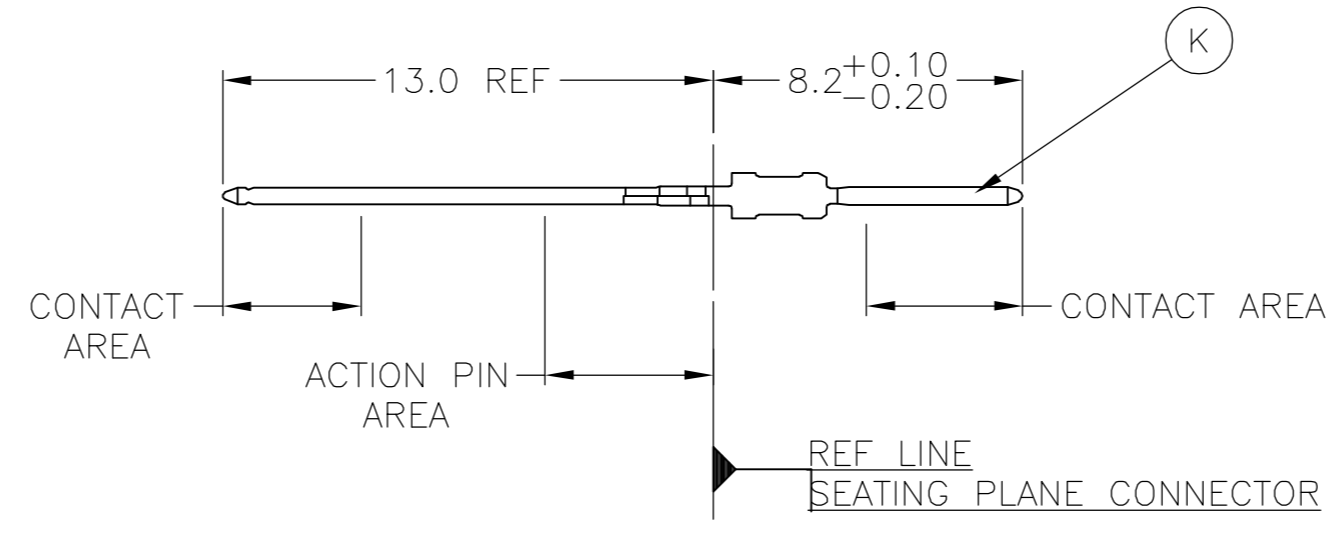


LOC		DIST		REVISIONS				
AD	00	REV	PER	EC	OS12-0306-05	DATE	DWN	APVD
A		REV	PER	EC	OS12-0306-05	23MAY06	BC	GS

CONNECTOR ASSEMBLY  
 EXAMPLARY LOADED



CONTACT DIMENSIONS  
 SCALE 5:1

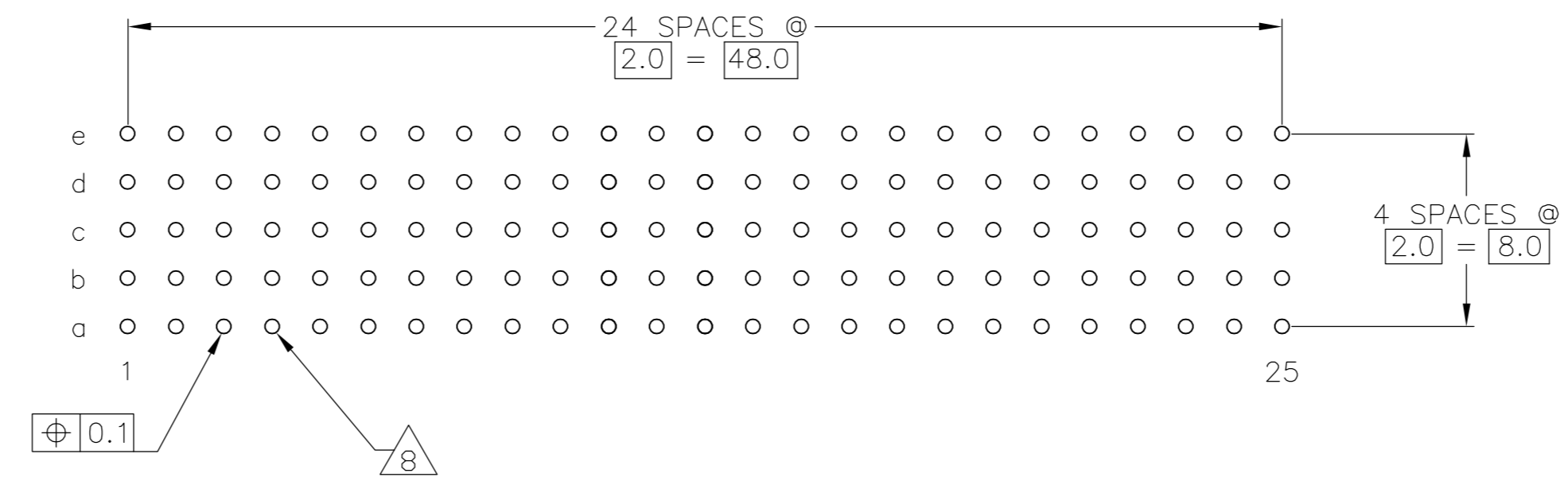


CONTACT LAYOUT

	z	a	b	c	d	e	f
1		K	K	K	K	K	
2		K	K	K	K	K	
3		K	K	K	K	K	
4		K	K	K	K	K	
5		K	K	K	K	K	
6		K	K	K	K	K	
7		K	K	K	K	K	
8		K	K	K	K	K	
9		K	K	K	K	K	
10		K	K	K	K	K	
11		K	K	K	K	K	
12		K	K	K	K	K	
13		K	K	K	K	K	
14		K	K	K	K	K	
15		K	K	K	K	K	
16		K	K	K	K	K	
17		K	K	K	K	K	
18		K	K	K	K	K	
19		K	K	K	K	K	
20		K	K	K	K	K	
21		K	K	K	K	K	
22		K	K	K	K	K	
23		K	K	K	K	K	
24		K	K	K	K	K	
25		K	K	K	K	K	

RECOMMENDED PCB-HOLE LAYOUT  
 COMPONENT SIDE SHOWN

PLATED THRU HOLES PARAMETERS  
 REFERENCE APPLICATION SPECIFICATION



2	6	12	1-5106165-9
2	5	12	5106165-9
2	4		5106165-4
2	3		5106165-1
FINISH		PART NUMBER	

THIS DRAWING IS A CONTROLLED DOCUMENT.

DWG: B. CARBO	24JAN05		Tyco Electronics Corporation
DWG: G. SKIPPER	24JAN05		Harrisburg, Pa 17105-3608
APVD: G. SKIPPER	24JAN05	NAME	MALE ASSEMBLY, Z-PACK 2mm HM, TYPE B
PRODUCT SPEC		108-19082	
APPLICATION SPEC		114-19029	
MATERIAL	FINISH	WEIGHT	RESTRICTED TO
SEE TABLE	SEE TABLE	A1 00779 ©=5106165	

CUSTOMER DRAWING SCALE 4:1 SHEET 1 OF 2 REV A

LOC		DIST		REVISIONS			
AD	00	REV	DATE	BY	APP'D	DATE	BY
		1	SEE SHEET 1				

- 1 MATERIAL:  
CONTACT: PHOSPHOR BRONZE.  
HOUSING: GLASS-FILLED POLYESTER.
- 2 GENERAL PLATING SPECIFICATION: UNDERPLATING  
(ENTIRE CONTACT): 1.27µm MIN NICKEL AND ACTION  
PIN: 0.5µm MIN TIN.  
FOR PLATING OF MATING SURFACES SEE APPLICABLE  
SPECIFICATION REFERENCE FOR EACH DASH NUMBER.
- 3 CONFORMS TO ALL TESTING ACCORDING TO IEC 61076-4-101  
PERFORMANCE LEVEL 2.
- 4 CONFORMS TO ALL TESTING ACCORDING TO IEC 61076-4-101  
PERFORMANCE LEVEL 1.
- 5 CONNECTOR TESTED AND QUALIFIED AGAINST TELCORDIA GR-1217-CORE QUALITY LEVEL 3,  
CENTRAL OFFICE APPLICATIONS.
- 6 CONNECTOR TESTED AND QUALIFIED AGAINST TELCORDIA GR-1217-CORE QUALITY LEVEL 3,  
UNCONTROLLED ENVIROMENT APPLICATIONS.
- 7 CONNECTOR MARKED WITH PART NUMBER AND DATE CODE.  
ADDITIONAL CHARACTERS OR MARKINGS, AS WELL AS THE LOCATION OF THE MARKINGS,  
MAY BE ADDED FOR TRACEABILITY BASED UPON MANUFACTURERS DISCRETION.
- 8 PLATED-THROUGH HOLES AT 2x2mm SQUARE GRID  
PATTERN DEFINED BY CONTACT LAYOUT.
- 9 FOR ACTUAL PIN LOADING SEE "CONTACT LAYOUT".
- 10 FOR ACTUAL PIN DIMENSIONS SEE "CONTACT DIMENSIONS".
- 11 TO BE MEASURED AT BOTTOM OF SHROUD.
- 12 CONNECTOR LUBRICATED WITH BELCORE APPROVED LUBRICANT,  
TECHNICAL REFERENCE: TR-NWT-001217 ISSUE 1, SEP 1992.

THIS DRAWING IS A CONTROLLED DOCUMENT.		DIN B CARBO	24JAN05	<b>tyco</b> Electronics	Tyco Electronics Corporation Harrisburg, Pa 17105-3608	
DIMENSIONS: mm		CHK G SKIPPER	24JAN05		NAME MALE ASSEMBLY, Z-PACK 2mm HM, TYPE B	
TOLERANCES UNLESS OTHERWISE SPECIFIED:		APP'D G SKIPPER	24JAN05	PRODUCT SPEC 108-19082		
0 PLC ± -		APPLICATION SPEC 114-19029		SIZE	CAGE CODE	DRAWING NO
1 PLC ± 0.1		RESTRICTED TO		A1	00779	5106165
2 PLC ± -		MATERIAL		CUSTOMER DRAWING		
3 PLC ± -		FINISH		SCALE 4:1		
4 PLC ± -		1 SEE SHEET 1		SHEET 2 OF 2		
ANGLES ± ± -		WEIGHT		REV A		