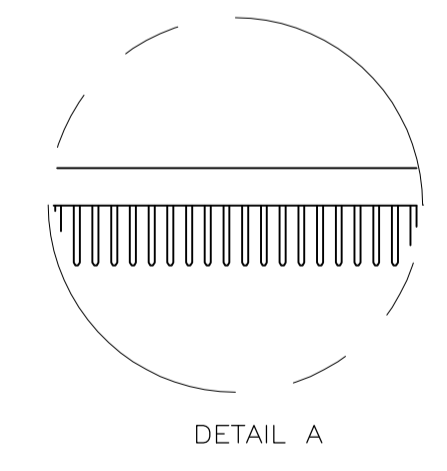


⊕ 0.00 [.000] (M) D (M) E (M) TYP

- ① HOUSING: HIGH TEMPERATURE THERMOPLASTIC. COLOR - NATURAL
- ② CONTACT: PHOSPHOR BRONZE.
- ③ METAL HOLD DOWN: BRASS
- ④ CONTACT FINISH: .001269 [.000050] MIN NICKEL ALL OVER. GOLD FLASH OVER NICKEL IN CONTACT AREA. .002537 [.000100] MIN MATTE TIN OVER NICKEL ON SOLDER TAILS.
- ⑤ CONTACT FINISH: .001269 [.000050] MIN NICKEL ALL OVER. .000375 [.000015] GOLD OVER NICKEL IN CONTACT AREA. .002537 [.000100] MIN MATTE TIN OVER NICKEL ON SOLDER TAILS.
- ⑥ CONTACT FINISH: .001269 [.000050] MIN NICKEL ALL OVER. .000757 [.000030] GOLD OVER NICKEL IN CONTACT AREA. .002537 [.000100] MIN MATTE TIN OVER NICKEL ON SOLDER TAILS.
- ⑦ DISTANCE FROM CONTACT POINT TO BOTTOM OF CARD SLOT.
- ⑧ METAL HOLD DOWN FINISH: .001269 [.000050] MIN NICKEL ALL OVER, .003809 [.000150] MIN MATTE TIN ALL OVER.
- ⑨ AMP PART NUMBER, DATE CODE AND CSA LOGO MARKED IN APPROXIMATE LOCATION SHOWN.
- ⑩ CORED OR SOLID SIDE WALLS ARE AT DISCRETION OF AMP INCORPORATED.
- ⑪ HOUSING: HIGH TEMPERATURE THERMOPLASTIC COLOR- GREEN, PANTONE COLORS 355C OR 365C
- ⑫ HOUSING: HIGH TEMPERATURE THERMOPLASTIC COLOR: BLACK
- ⑬ OBSOLETE PARTS: OBSOLETE CIS STREAMLINING PER D.RENAUD/D.SINISI

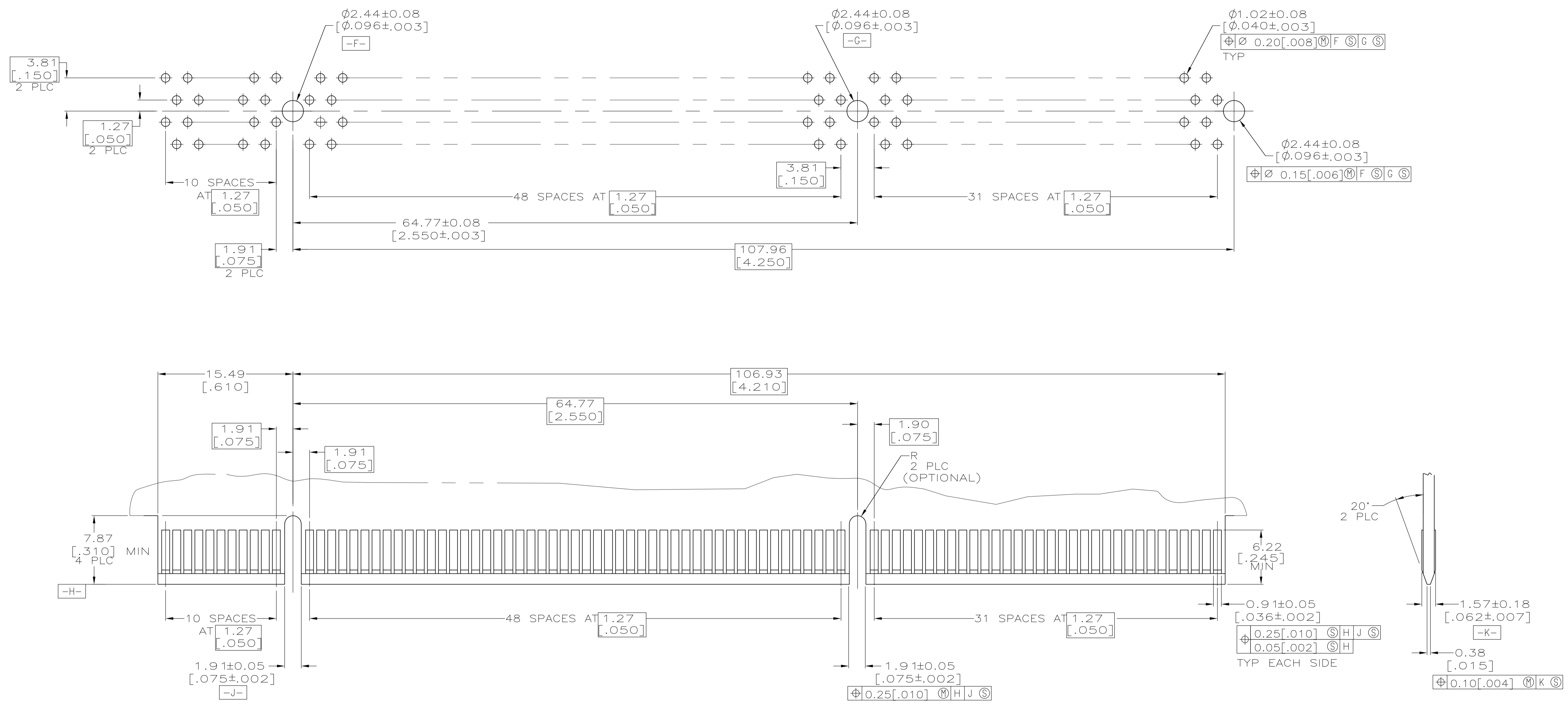
SEE SHEET 2 FOR HOLE PATTERN



⑬ OBSOLETE	⑫ 2.54 [.100]	⑪ 2-5145168-9
	⑩ 3.18 [.125]	⑨ 2-5145168-8
	⑧ 3.56 [.140]	⑦ 1-5145168-2
	⑥ 3.18 [.125]	⑤ 5145168-8
	⑤ 2.54 [.100]	④ 5145168-4
	④ 2.54 [.100]	③ 5145168-2
	③ 2.54 [.100]	② 5145168-1
HSG MATL	W	FINISH
		PART NUMBER

THIS DRAWING IS A CONTROLLED DOCUMENT.

AL FRANTUM	22 JAN 05	STE TE Connectivity	
AL FRANTUM	22 JAN 05	CONNECTOR ASSEMBLY, 92 DUAL POSITION, 1.27 (.050) SERIES	
S FLICKINGER	25JULY2006	NAME	108-14034
		APPLICATION SPEC	114-26012
		SIZE	A1
		WEIGHT	00779
		CUSTOMER DRAWING	SCALE 4:1 SHEET 1 OF 2 REV B2



THIS DRAWING IS A CONTROLLED DOCUMENT.		DN AL FRANTUM 22 JAN 05	TE Connectivity
DIMENSIONS: mm		CHK AL FRANTUM 22 JAN 05	
TOLERANCES UNLESS OTHERWISE SPECIFIED:		APVD S FLICKINGER 26/JUL/2006	NAME CONNECTOR ASSEMBLY, 92 DUAL POSITION, 1.27 (.050) SERIES
<ul style="list-style-type: none"> <li>0 PLC ± -</li> <li>1 PLC ± -</li> <li>2 PLC ± 0.25 [.01]</li> <li>3 PLC ± 0.127 [.005]</li> <li>4 PLC ± - ± A</li> </ul>		PRODUCT SPEC 108-14034	SIZE A1
MATERIAL SEE SHEET 1		APPLICATION SPEC 114-26012	RESTRICTED TO -
FINISH SEE SHEET 1		WEIGHT -	SCALE 4:1
CUSTOMER DRAWING		DRAWING NO. 00779	SHEET 2 OF 2
		REV 5145168	REV B1