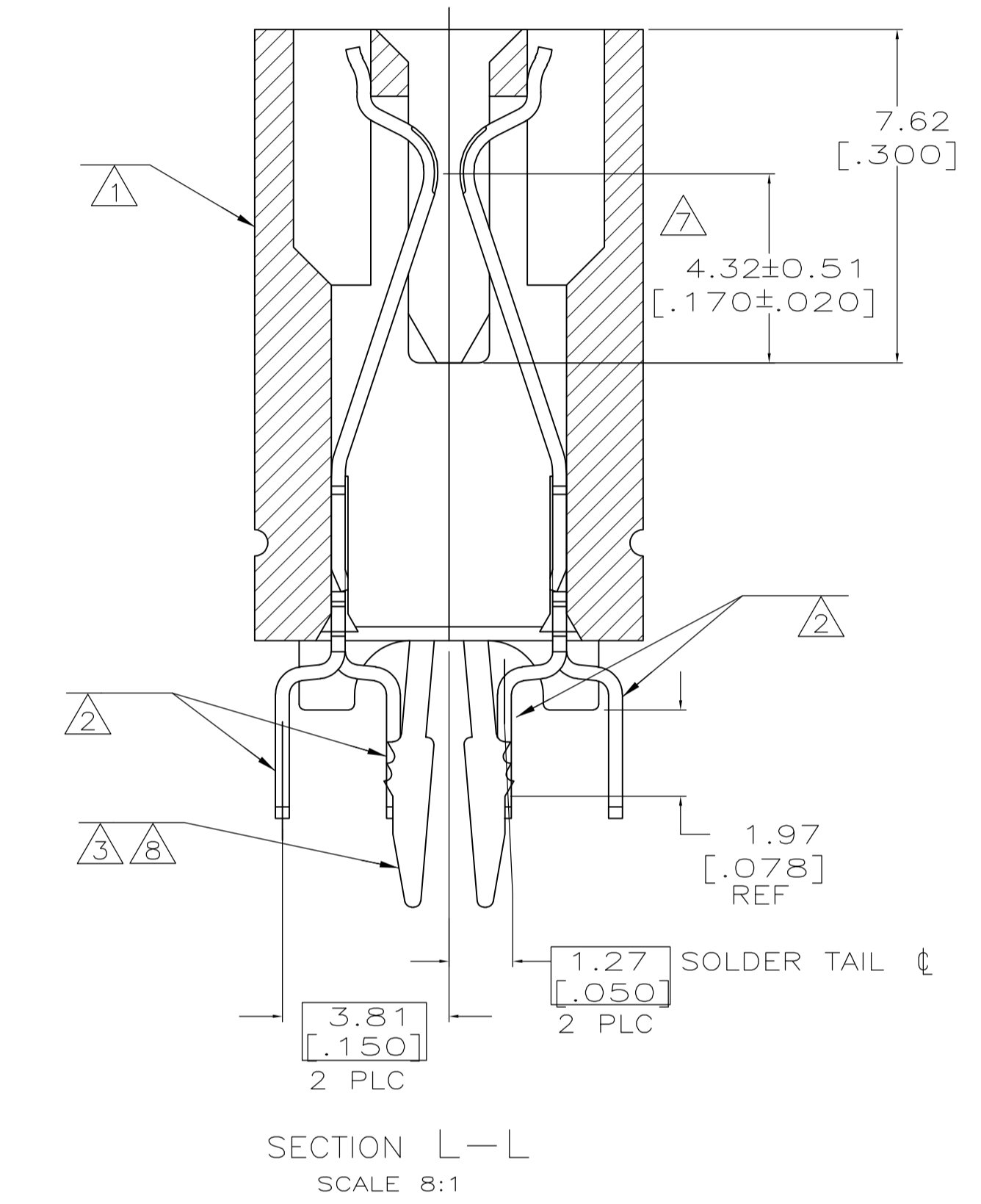
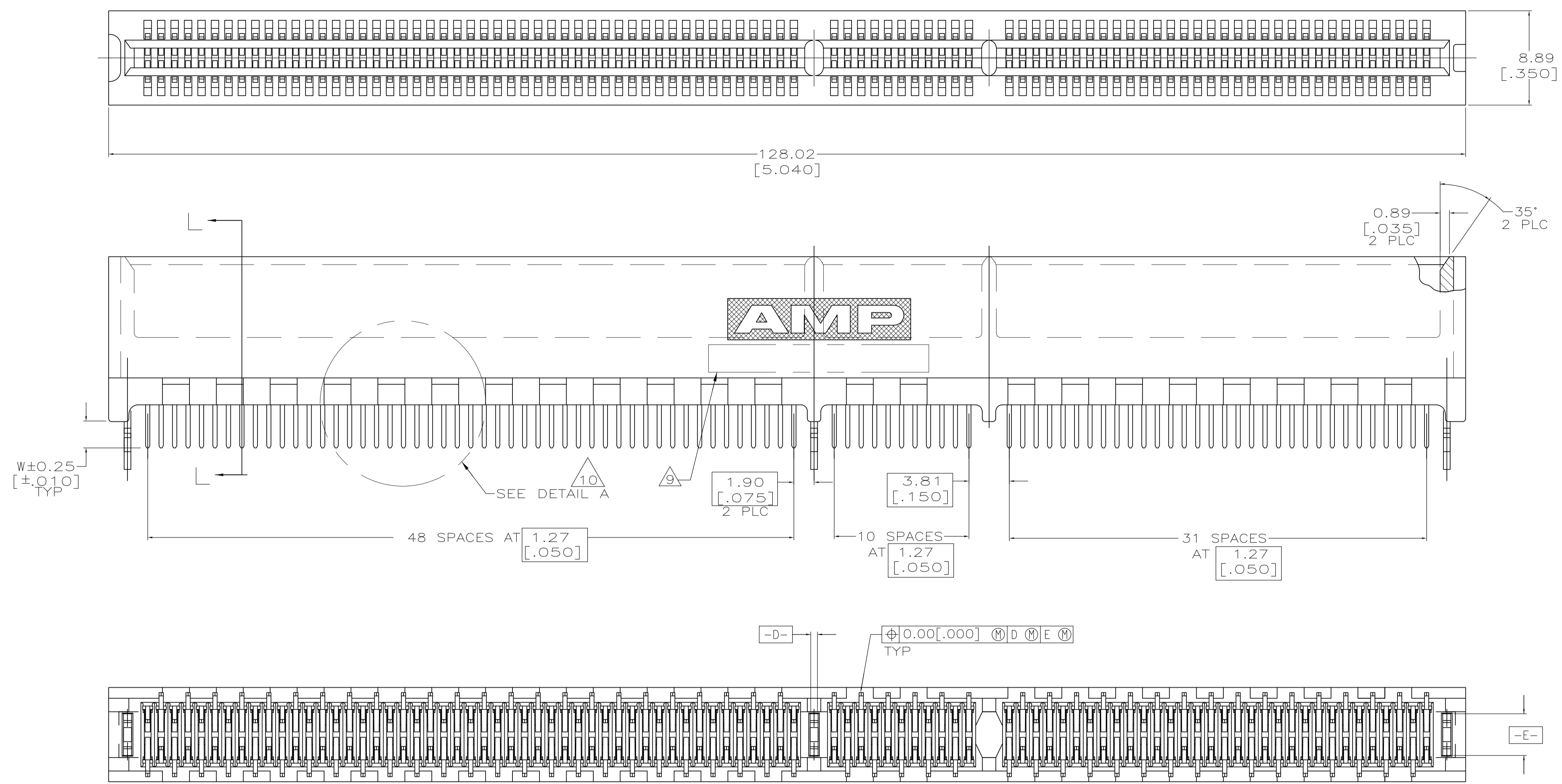
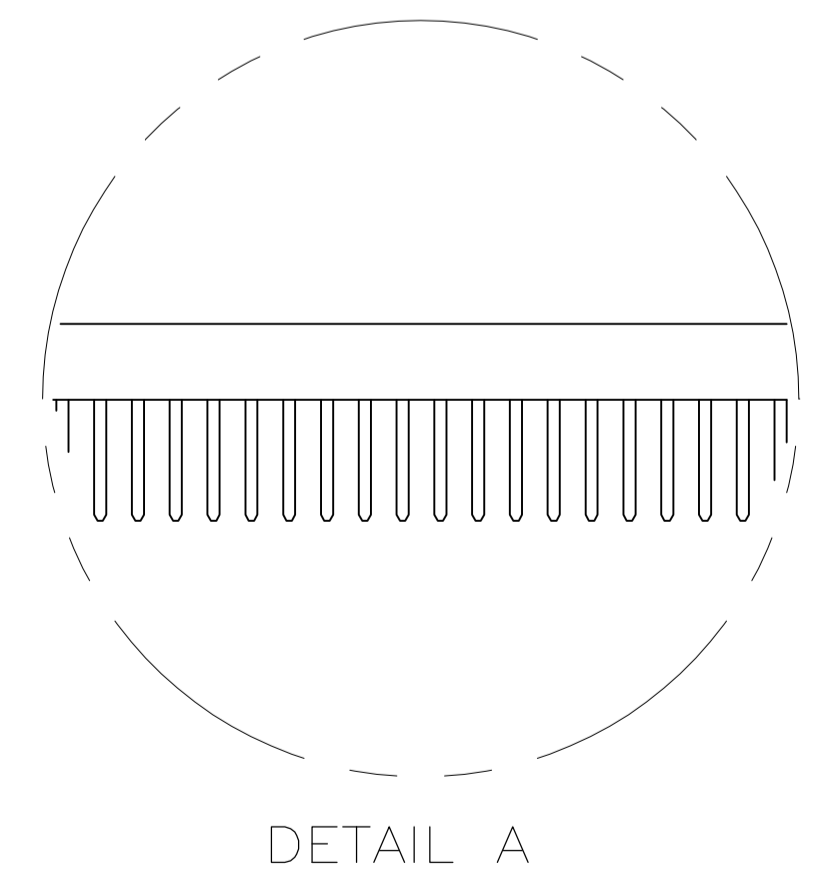


LOC	DIST	REVISIONS			
GP	00	REV	DESCRIPTION	DATE	BY
		B	REVISED PER 0515-0085-05	10 MAY 05	AWF
		B1	REVISED PER ECO-10-000444	19JAN10	KK



SEE SHEET 2 FOR HOLE PATTERN



- 1 HOUSING: HIGH TEMPERATURE THERMOPLASTIC. COLOR - NATURAL
- 2 CONTACT: PHOSPHOR BRONZE.
- 3 METAL HOLD DOWN: BRASS
- 4 CONTACT FINISH: .001269[.000050] MIN NICKEL ALL OVER. GOLD FLASH OVER NICKEL IN CONTACT AREA. .002537[.000100] MIN MATTE TIN OVER NICKEL ON SOLDER TAILS.
- 5 CONTACT FINISH: .001269[.000050] MIN NICKEL ALL OVER. .000375[.000015] GOLD OVER NICKEL IN CONTACT AREA. .002537[.000100] MIN MATTE TIN OVER NICKEL ON SOLDER TAILS.
- 6 CONTACT FINISH: .001269[.000050] MIN NICKEL ALL OVER. .000757[.000030] GOLD OVER NICKEL IN CONTACT AREA. .002537[.000100] MIN MATTE TIN OVER NICKEL ON SOLDER TAILS.
- 7 DISTANCE FROM CONTACT POINT TO BOTTOM OF CARD SLOT.
- 8 METAL HOLD DOWN FINISH: .001269[.000050] MIN NICKEL ALL OVER, .003809[.000150] MIN MATTE TIN ALL OVER.
- 9 AMP PART NUMBER, DATE CODE AND CSA LOGO MARKED IN APPROXIMATE LOCATION SHOWN.
- 10 CORED OR SOLID SIDE WALLS ARE AT DISCRETION OF AMP INCORPORATED.
- 11 OBSOLETE PARTS: OBSOLETE CIS STREAMLINING PER D.RENAUD/D.SINISI

3.56 [.140]	1-5145169-2
3.18 [.125]	5145169-8
2.54 [.100]	5145169-4
2.54 [.100]	5145169-2
2.54 [.100]	5145169-1

W FINISH PART NUMBER

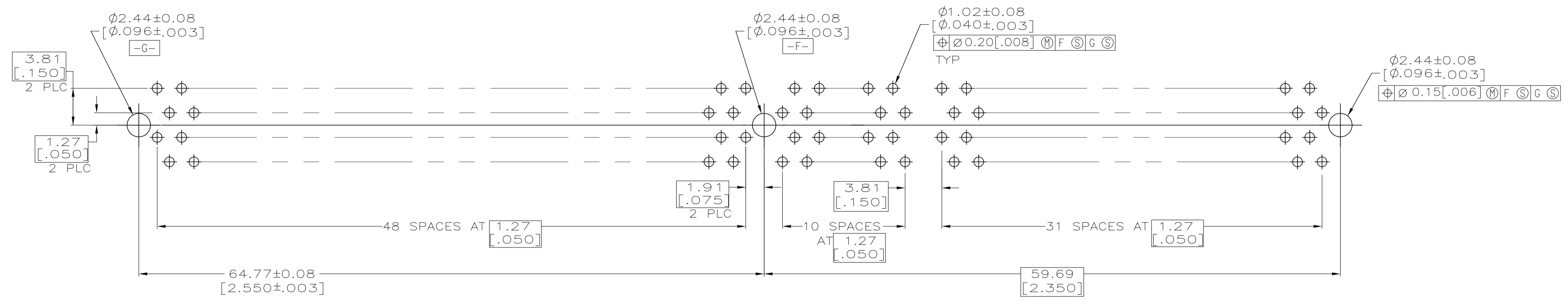
THIS DRAWING IS A CONTROLLED DOCUMENT.

DIMENSIONS: mm	TOLERANCES UNLESS OTHERWISE SPECIFIED:	0 PLC ± -	1 PLC ± -	2 PLC ± .01	3 PLC ± .005	4 PLC ± -	ANGLES ± °
----------------	--	-----------	-----------	-------------	--------------	-----------	------------

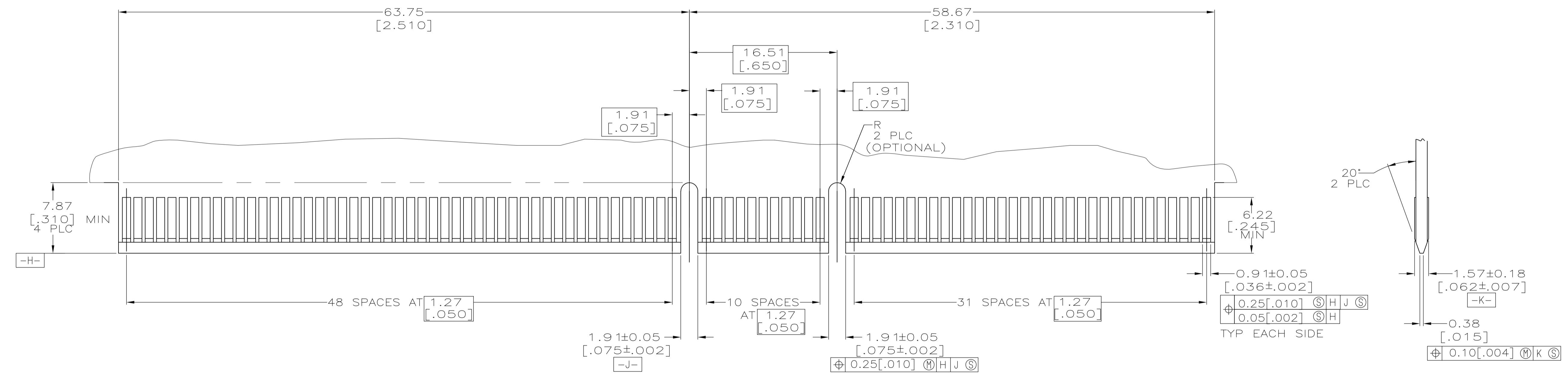
AL FRANTUM	06 MAY 05	AL FRANTUM	06 MAY 05
PRODUCT SPEC	108-14034	APPLICATION SPEC	114-26012
WEIGHT	-	SIZE	A1
CAGE CODE	00779	DRAWING NO	5145169
CUSTOMER DRAWING	SCALE 4:1	SHEET 1 OF 2	REV B1

Tyco Electronics Corporation  
 Harrisburg, Pa 17105-3608

CONNECTOR ASSEMBLY,  
 92 DUAL POSITION,  
 .050 SERIES, STANDARD EDGE



RECOMMENDED CONNECTOR MOUNTING HOLE PATTERN  
(CONNECTOR SIDE SHOWN)



RECOMMENDED MATING BOARD EDGE CONFIGURATION

THIS DRAWING IS A CONTROLLED DOCUMENT.		DWN AL FRANTUM 06 MAY 05 CHK AL FRANTUM 06 MAY 05 APVD AL FRANTUM	Tyco Electronics Corporation Harrisburg, Pa 17105-3608
DIMENSIONS: mm	TOLERANCES UNLESS OTHERWISE SPECIFIED: 0 PLC ± - 1 PLC ± - 2 PLC ± .01 3 PLC ± .005 4 PLC ± - ± 2° ANGLES ± - ± 2°	PRODUCT SPEC 108-14034 APPLICATION SPEC 114-26012	NAME CONNECTOR ASSEMBLY, 92 DUAL POSITION, .050 SERIES, STANDARD EDGE SIZE CAGE CODE DRAWING NO. RESTRICTED TO A1 00779 C=5145169 -
MATERIAL SEE SHEET 1	FINISH SEE SHEET 1	WEIGHT -	CUSTOMER DRAWING SCALE 4:1 SHEET 2 OF 2 REV B1