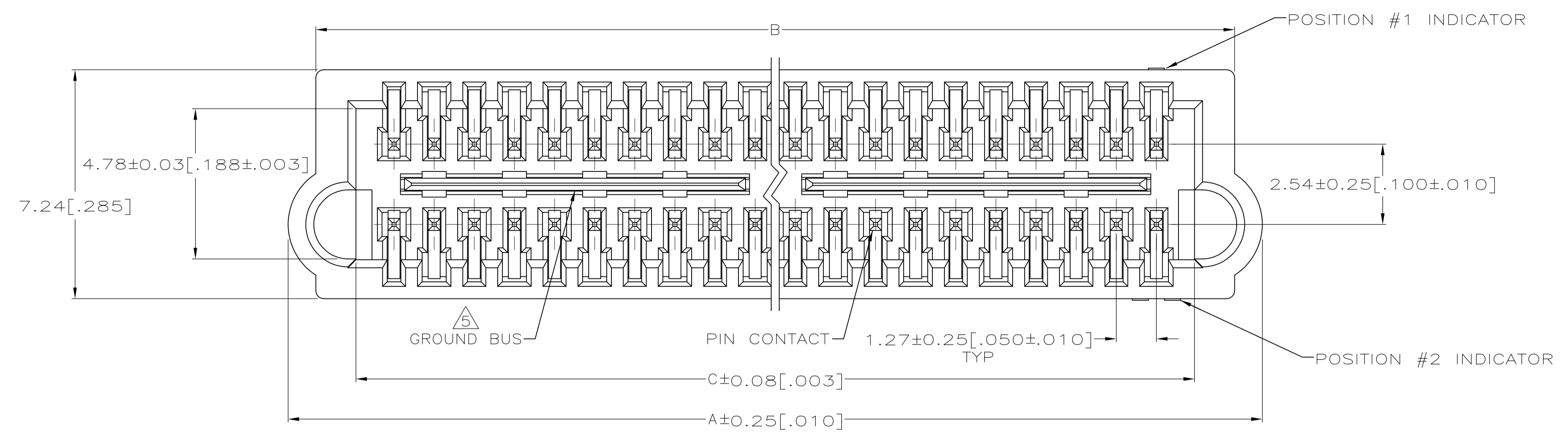
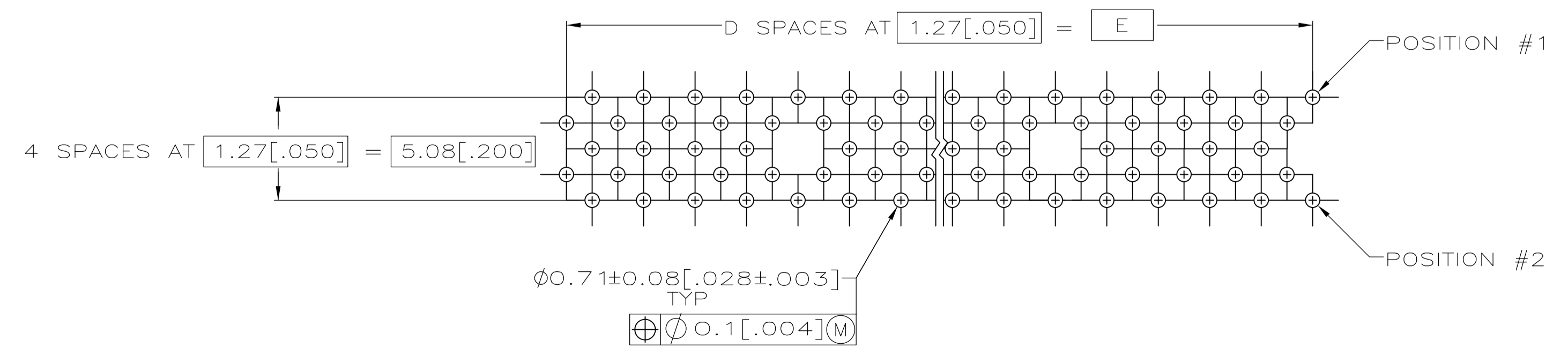
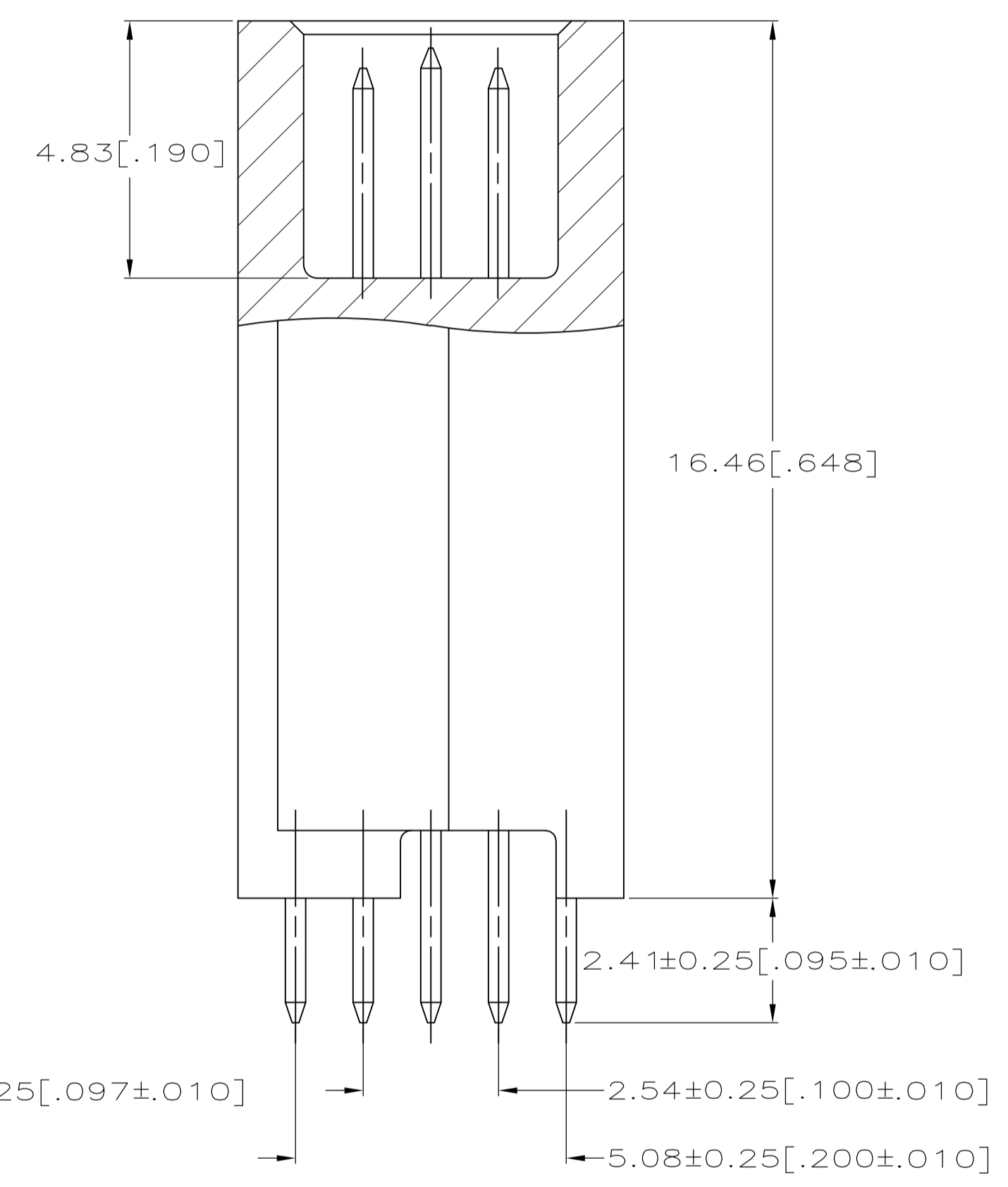
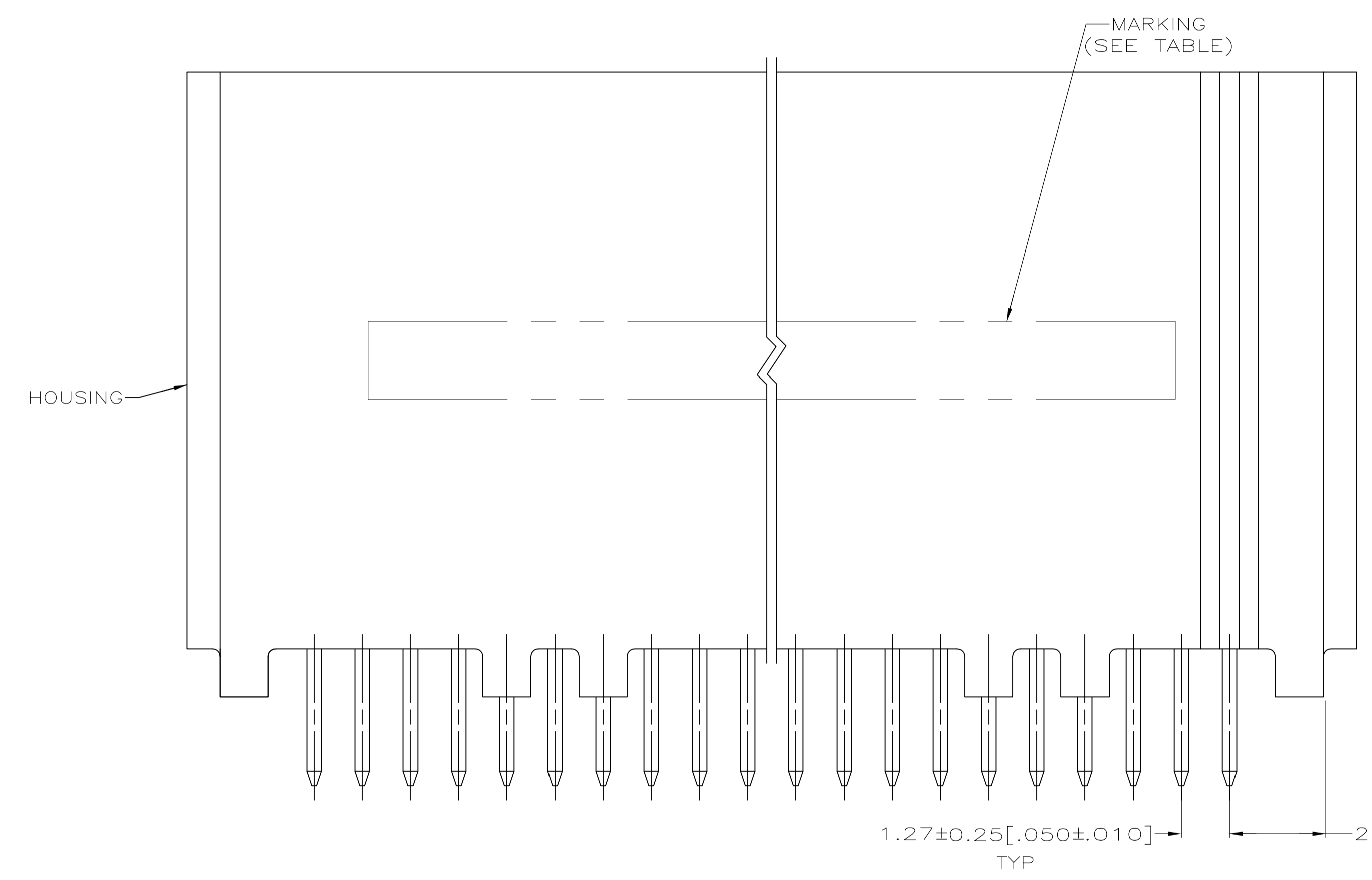


REVISIONS				
P	LTR	DESCRIPTION	DATE	APP'D
R		REVISED PER ECO-16-010704	20JUL2016	SY SY



- ① HOUSING: HIGH TEMPERATURE THERMOPLASTIC, COLOR: NATURAL OR LIGHT NATURAL. PIN CONTACTS: PHOSPHOR BRONZE. GROUND BUSSES: PHOSPHOR BRONZE.
- ② CONTACTS & GROUND BUSES: 0.00076(.000030) MIN. GOLD PER ASTM B 488 ON CONTACT AREA, 0.00254-0.00762(.000100-.000300) MATTE TIN PER ASTM B 545 ON SOLDER TAIL, ALL OVER 0.00127-0.00254(.000050-.000100) MATTE NICKEL PER SAE AMS-QQ-N-290 ON ENTIRE CONTACT.
- ③ AMP AND DATE CODE MARKED IN AREA INDICATED, ON SAME SIDE AS POSITION NUMBER 2 INDICATOR.
- ④ AMP, DATE CODE AND PART NUMBER MARKED IN AREA INDICATED, ON SAME SIDE AS POSITION NUMBER 2 INDICATOR.
- ⑤ ONE GROUND BUS WITH 4 TAILS PER EACH 20 PIN CONTACTS.



MARKING	E	D	C	B	A	NO OF POS	PART NUMBER
③	125.73 [4.950]	99	128.22 [5.048]	130.81 [5.150]	132.44 [5.214]	200	5149009-9
③	113.03 [4.450]	89	115.52 [4.548]	118.11 [4.650]	119.74 [4.714]	180	5149009-8
③	100.33 [3.950]	79	102.82 [4.048]	105.41 [4.150]	107.04 [4.214]	160	5149009-7
OBSOLETE	87.63 [3.450]	69	90.12 [3.548]	92.71 [3.650]	94.34 [3.714]	140	5149009-6
③	74.93 [2.950]	59	77.42 [3.048]	80.01 [3.150]	81.64 [3.214]	120	5149009-5
④	62.23 [2.450]	49	64.72 [2.548]	67.31 [2.650]	68.94 [2.714]	100	5149009-4
③	49.53 [1.950]	39	52.02 [2.048]	54.61 [2.150]	56.24 [2.214]	80	5149009-3
OBSOLETE	36.83 [1.450]	29	39.32 [1.548]	41.91 [1.650]	43.54 [1.714]	60	5149009-2
③	24.13 [.950]	19	26.62 [1.048]	29.21 [1.150]	30.84 [1.214]	40	5149009-1

THIS DRAWING IS A CONTROLLED DOCUMENT.

DIMENSIONS: mm [INCHES]	TOLERANCES UNLESS OTHERWISE SPECIFIED:	DIN L VARELA 01-19-05	STE TE Connectivity
0 PLC ± -	1 PLC ± -	CHK D DIXON 01-19-05	NAME PLUG ASSEMBLY, 18.75[.738] STACK, 2.41[.095] TAIL, BOARD TO BOARD, MICROSTRIP
2 PLC ± -	3 PLC ± 0.1[.005]	APP'D D DIXON 01-19-05	PRODUCT SPEC 108-1272
4 PLC ± -	ANGLES ± -	APPLICATION SPEC 114-11005	SIZE 114-11005
MATERIAL ①	FINISH ②	WEIGHT 0.000000	SCALE 10:1
CUSTOMER DRAWING		RESTRICTED TO 00779	SHEET 1 OF 1