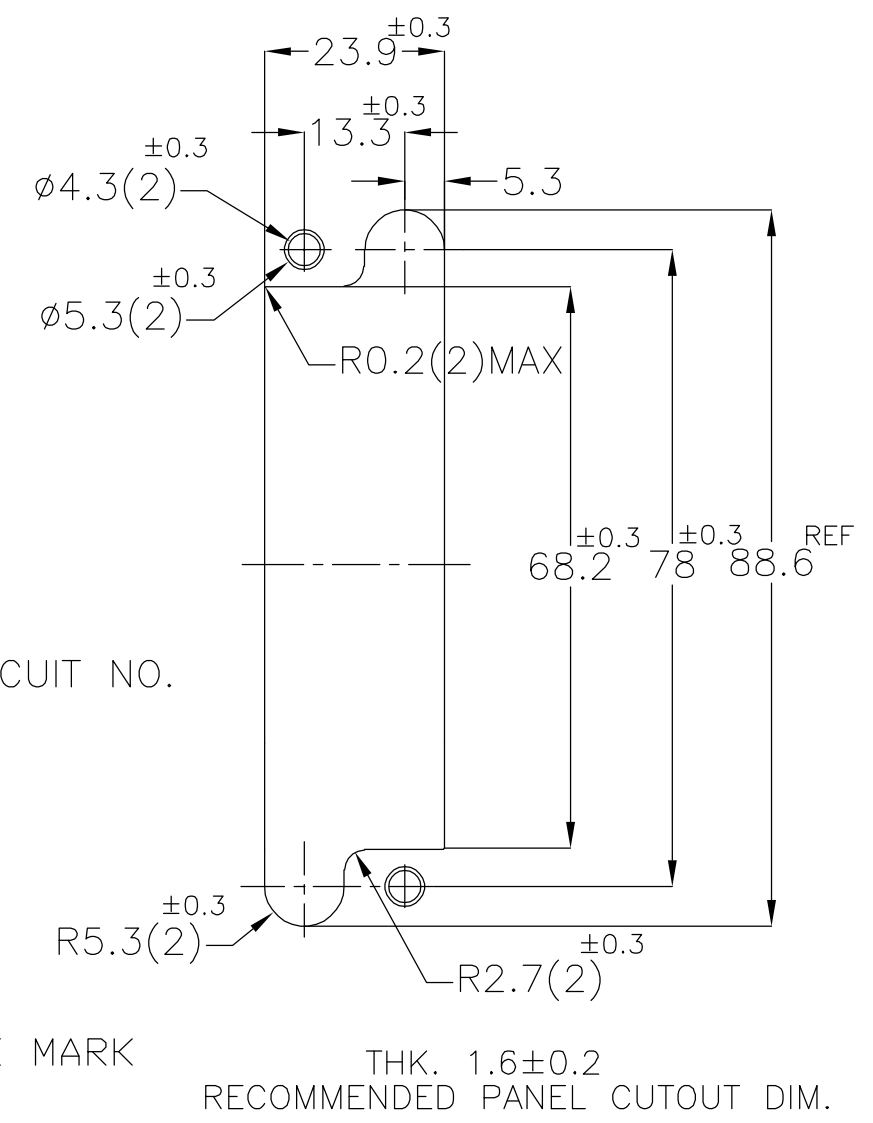
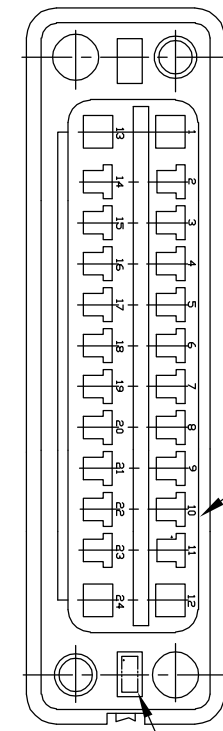
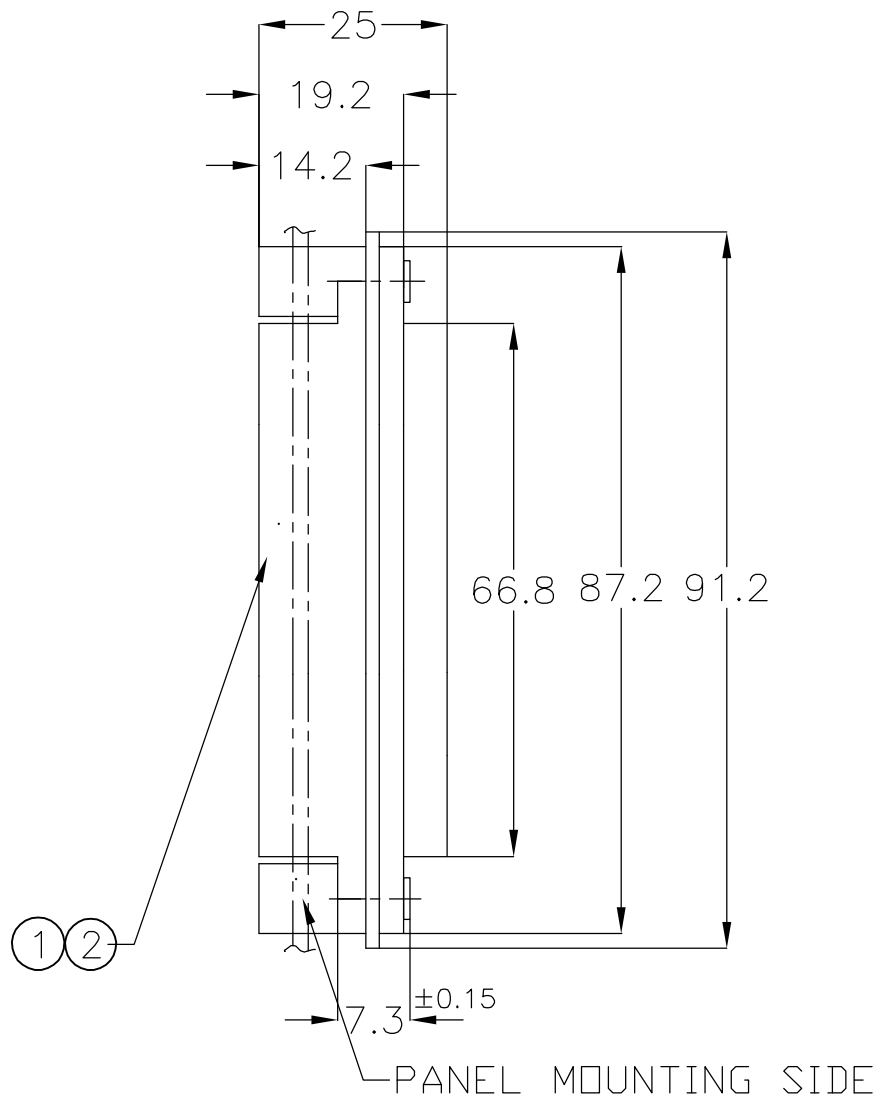
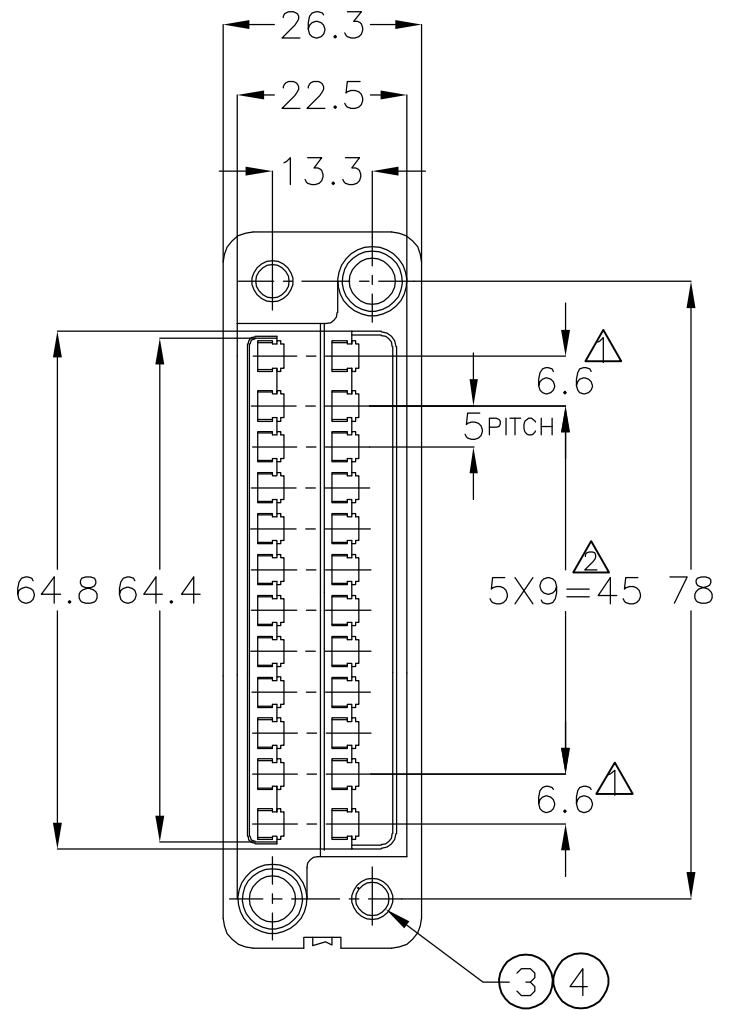


THIS DRAWING IS UNPUBLISHED. RELEASED FOR PUBLICATION
 © COPYRIGHT - BY TYCO ELECTRONICS CORPORATION. ALL RIGHTS RESERVED.

LOC	DIST	REVISIONS					
		P	LTR	DESCRIPTION	DATE	DWN	APVD
J	-	A	RELEASED	ECR-05-009552	26JUL05	C.Z	S.Y



NOTES:
 1. FOR POWER CURCUITS (4POS).
 2. FOR SIGNAL CURCUITS (20POS).
 3. ACCOMOMDATED CONTACTS ARE STRIP P/N 170311, 170312, 170484 L.P P/N 170313, 170314, 170485
 4. MALE HSG P/N IS 172624-1,-3.
 MATERIAL:
 HOUSING: PBT 94V-0
 BUSH: JIS H3250, C3602 BD-F
 FINISH:
 NICKEL PLATED PER AMP SPEC 112-25.

REV	NO	DESCRIPTION	DATE	BY	CHK	REMARKS	ITEM No.	
2	-	1-172065-3				(4mm)	4	
-	2	1-172065-1				FLOATING BUSH ASS'Y (3mm)	3	
1	-	172626-3				24 POS. (4mm)	2	
-	1	172626-1				24P DRAWER CONN.FEMAIL HSG 24 POS. (3mm)	1	
-3	-1	NUMBER				NAME	REMARKS	ITEM No.

THIS DRAWING IS A CONTROLLED DOCUMENT.		DWN C.ZHU 25JUL05	Tyco Electronics AMP K.K. Kawasaki, Japan		
DIMENSIONS: mm	TOLERANCES UNLESS OTHERWISE SPECIFIED:	CHK I.WANG 26JUL05	NAME 24POS. FEMALE HSG ASS'Y DRAWER CONN.		
	0 PLC ± 0.4	APVD S.YAO 26JUL05	PRODUCT SPEC	SIZE	CAGE CODE
	1 PLC ± 0.4		APPLICATION SPEC	A3	00779
	2 PLC ± 0.4		WEIGHT	DRAWING NO	RESTRICTED TO
	3 PLC ± 0.4			G-5172625	-
	4 PLC ± 0.4			SCALE	SHEET
	ANGLES ± -			1:1	1 OF 1
MATERIAL	FINISH			REV	A
				CUSTOMER DRAWING	