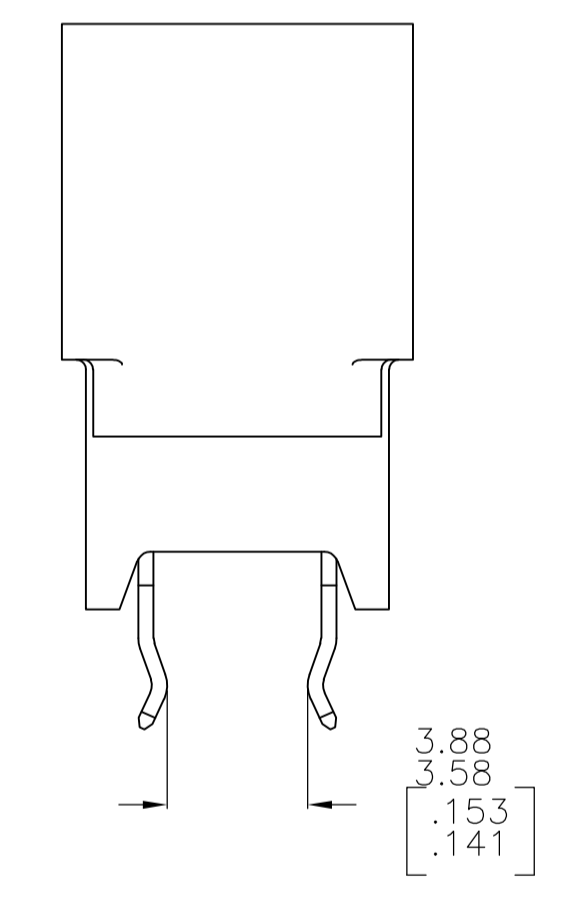
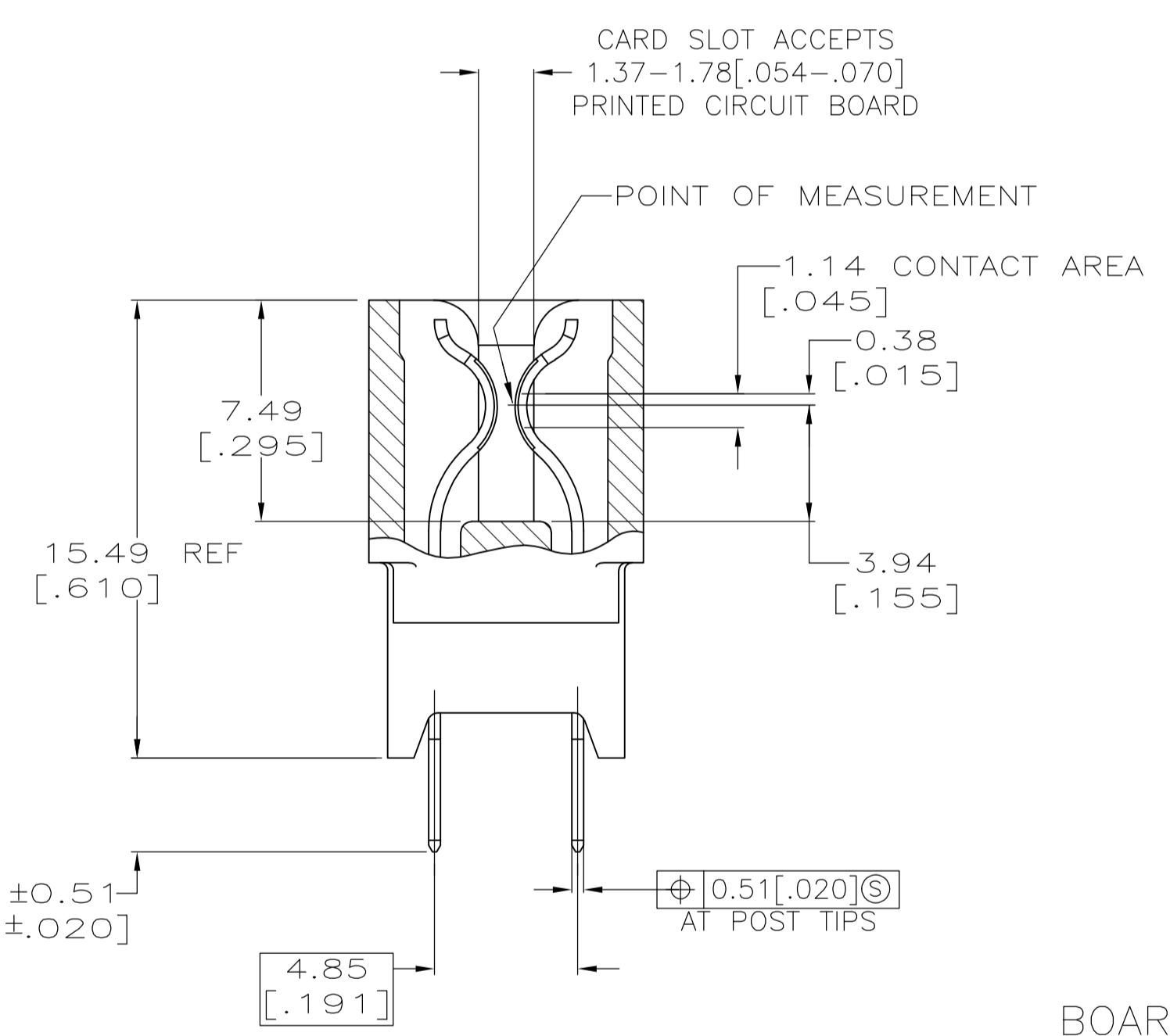
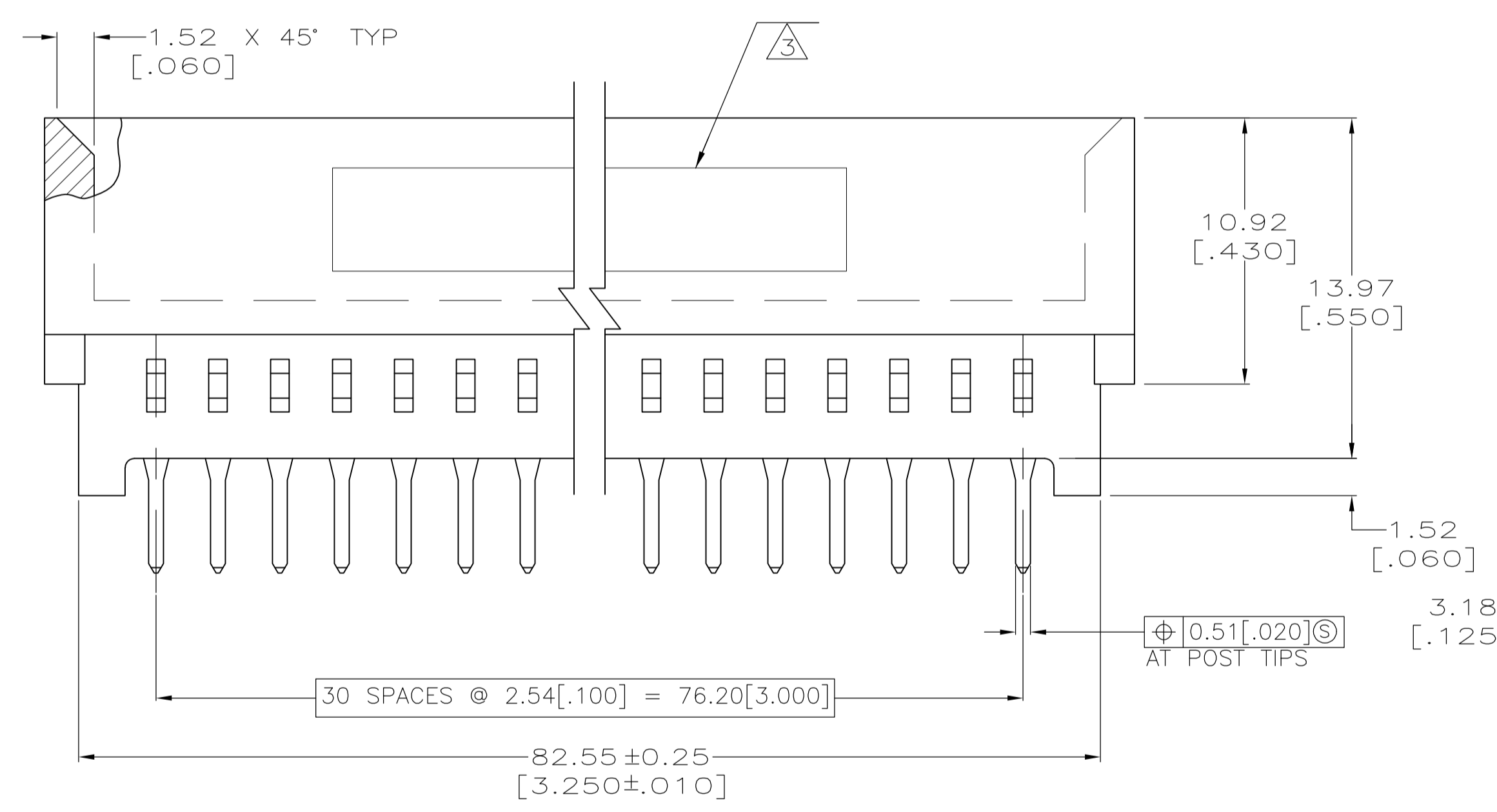
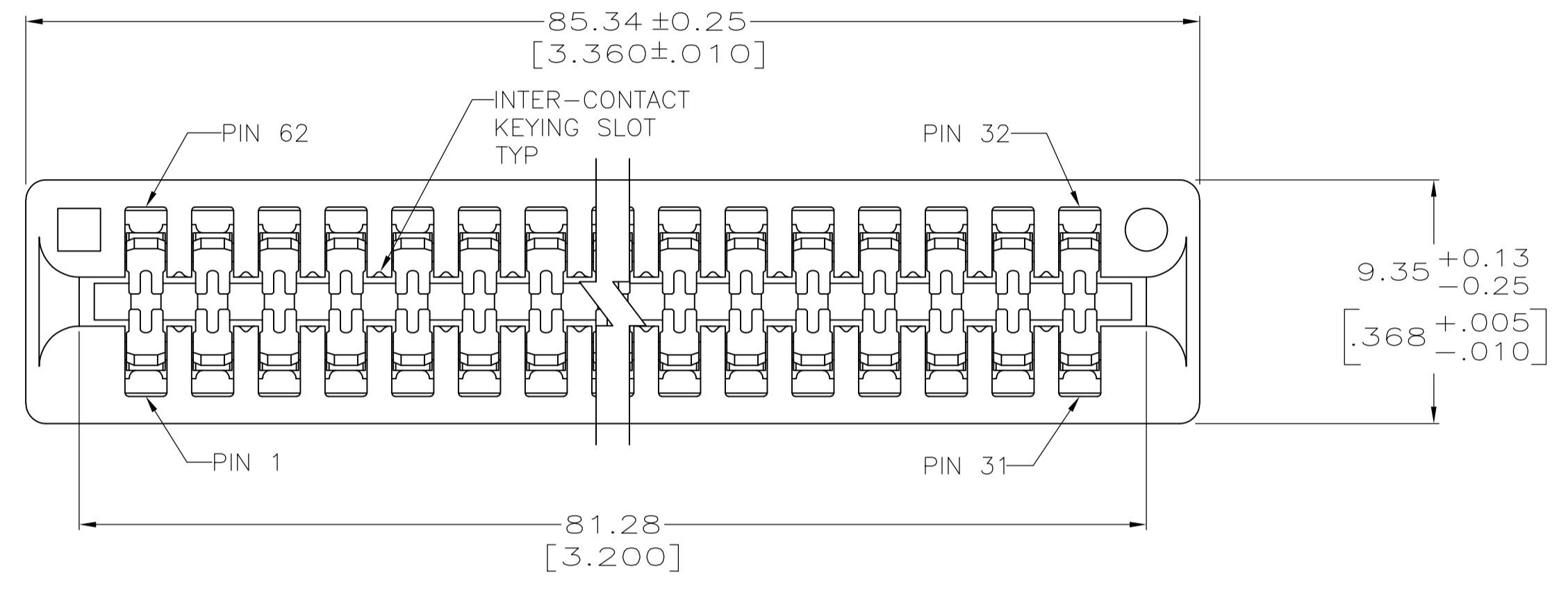


- MATERIAL:  
HOUSING: GLASS FILLED POLYESTER; COLOR: BLACK.  
CONTACT: PHOS BRONZE
- FINISH:  
0.00038[.000015] MIN GOLD PLATE IN CONTACT AREA,  
0.00254[.000100] MIN MATTE TIN ON SOLDER POSTS, ALL  
OVER 0.00127[.000050] MIN NICKEL
- AMP LOGO, TE PART NUMBER, DATE CODE AND CSA LOGO INK  
STAMPED WHITE (HOT STAMPED OR LAZER PRINTED) IN THE APPROXIMATE  
AREA SHOWN, EITHER SIDE PERMISSABLE, WHEN HOUSING SIZE PERMITS
- RECOMMENDED PCB FINISHED HOLE DIAMETER = 1.02±0.08  
[.040±.003]
- THE RETENTIVE FEATURE OF THIS CONNECTOR IS DESIGNED FOR  
FULL SEATING IN 1.57±0.20[.062±.008] THICK CIRCUIT BOARDS.  
FOR APPLICATIONS IN BOARDS OF OTHER THICKNESSES, CONTACT  
TYCO ELECTRONICS



BOARD RETENTION FEATURE  
(SEE TABLE FOR LOCATION)

OBSOLETE	5176138-5
OBSOLETE	5176138-3
OBSOLETE	5176138-1

PART NUMBER

5, 6, 57, 58	31	5176138-2
BOARD RETENTION FEATURE LOCATION	NO OF POSN	PART NUMBER

THIS DRAWING IS A CONTROLLED DOCUMENT.

DIMENSIONS: mm [INCHES]	TOLERANCES UNLESS OTHERWISE SPECIFIED:	DWN: AWF/L.A.MAYER 27FEB2008	AWF
0. PLC ± -	1. PLC ± -	CHK: A.W.FRANTUM 27FEB2008	AWF
2. PLC ± 0.13[.005]	3. PLC ± -	APVD: S.FLICKINGER 27FEB2008	AWF
4. PLC ± -	ANGLES ± -	NAME: S.FLICKINGER	AWF

PRODUCT SPEC: 108-1248  
 APPLICATION SPEC: 114-13018

MATERIAL: SEE NOTE 1  
 FINISH: SEE NOTE 2  
 WEIGHT: -  
 CUSTOMER DRAWING

TYCO ELECTRONICS Tyco Electronics Corporation  
 Harrisburg, PA 17105-3608

CONNECTOR ASSEMBLY, EDGE CARD, 2.54[.100] CENTERLINE

SIZE: A1  
 CAGE CODE: 00779  
 DRAWING NO: 5176138  
 RESTRICTED TO: -

SCALE: 5:1 SHEET: 1 OF 1 REV: B