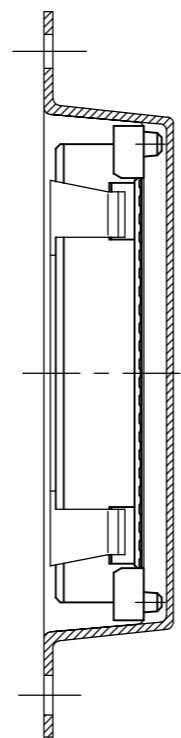
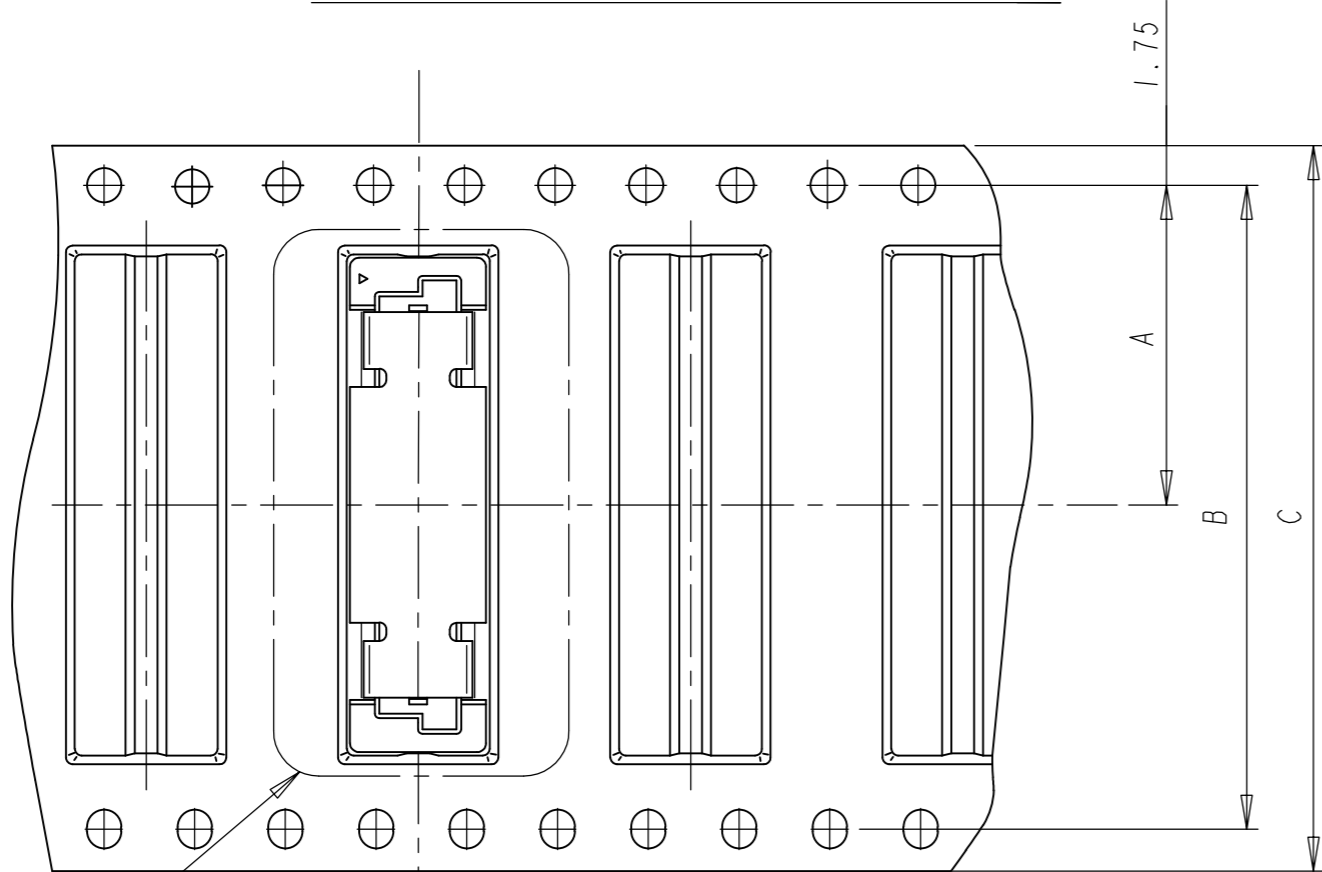


THIS DRAWING IS UNPUBLISHED. RELEASED FOR PUBLICATION
 © COPYRIGHT - TE Connectivity ALL RIGHTS RESERVED.

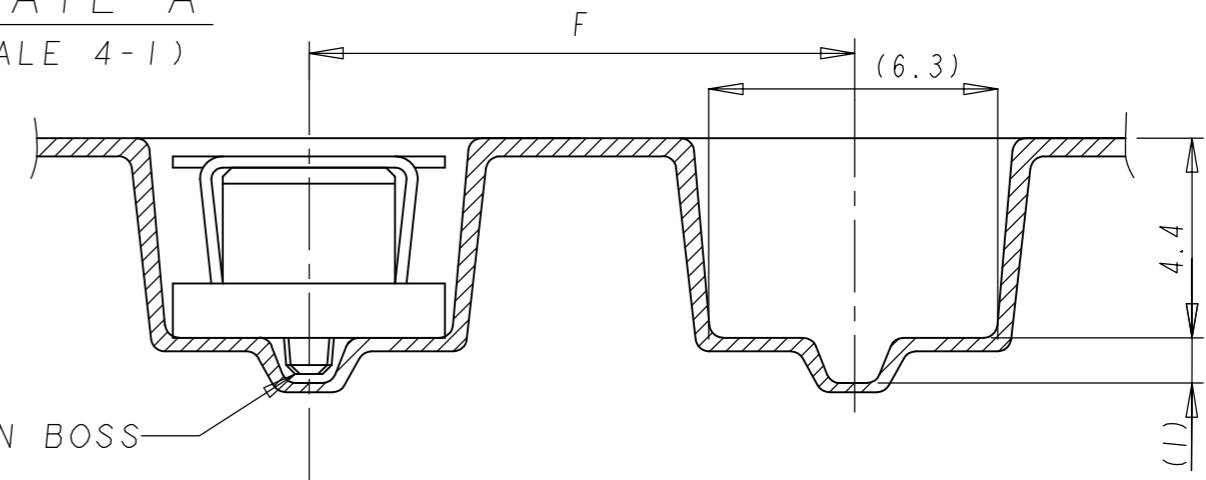
LOW HALOGEN

REVISIONS					
P	LTR	DESCRIPTION	DATE	DWN	APVD
P		ADD HALOGEN FREE MARK	02APR2015	I.T	W.H
R		REVISED PER ECO-17-005566	07AUG2017	B.J	S.Y
R1		REVISED PER ECO-17-018044	09SEP2017	R.L	H.L

DIRECTION OFF TOP OF REEL



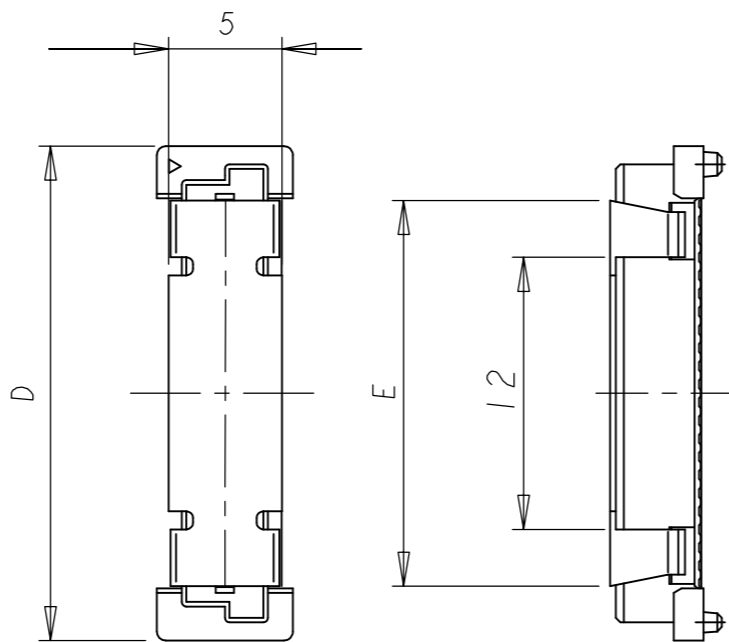
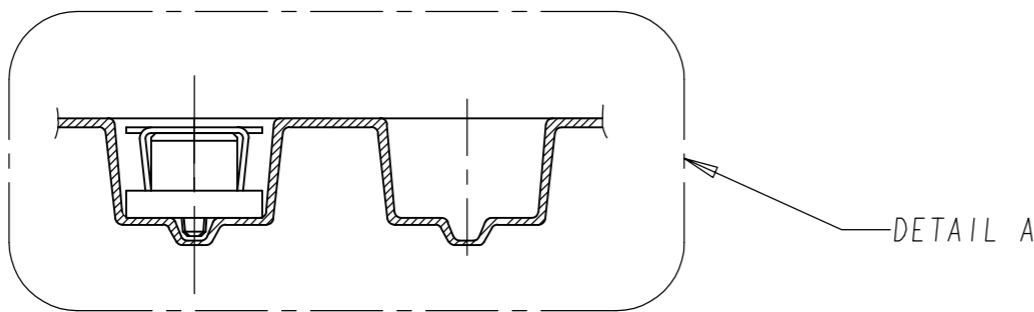
DETAIL A
(SCALE 4-1)



NOTES:

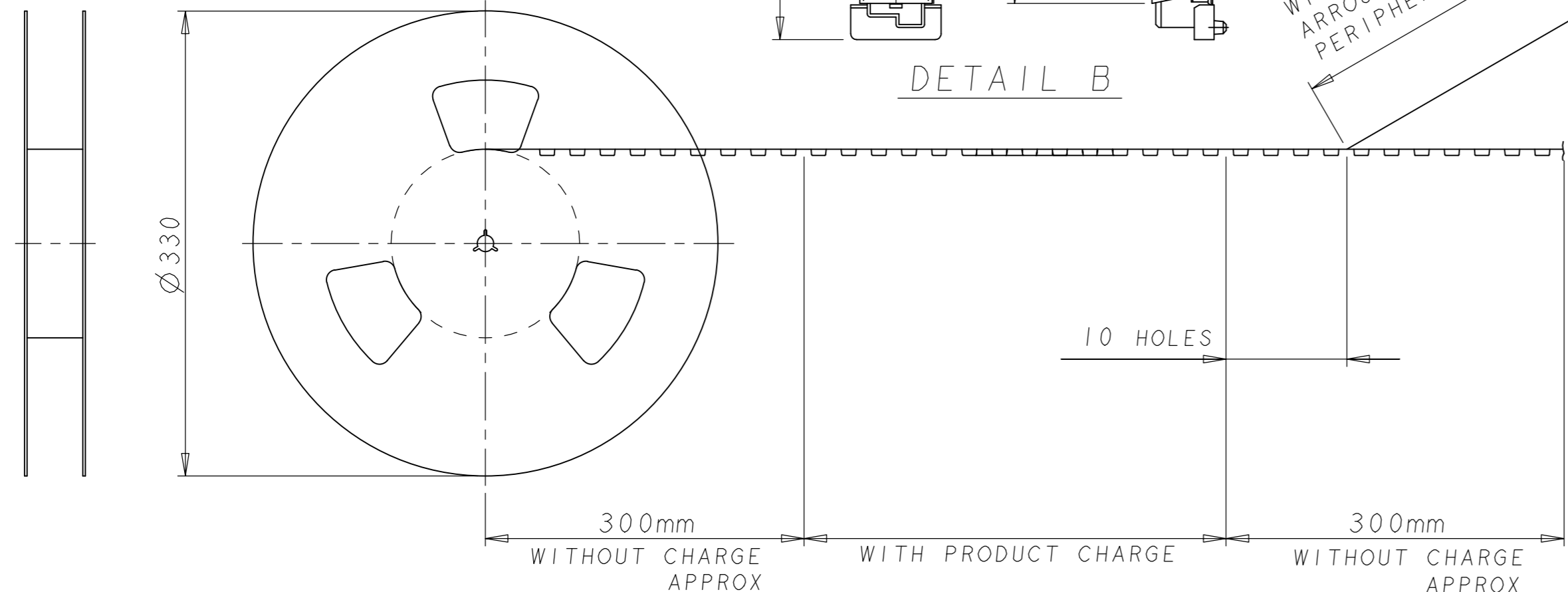
- 1 MATERIAL: HOUSING: L.C.P (HIGH TEMP THERMOPLASTIC UL 94V-0, NATURAL). CONTACT: BERYLIUM COPPER.
- 2 FINISH: CONTACT AREA: 0.0002 MIN GOLD ON 0.0013 MIN ALL OVER NICKEL. SOLDERING AREA: 0.002 MIN MATTE TIN.
- 3. POSITION SERIES: SEE TABLE.
- 4. CONN STACK HEIGHT COMBINE OF PLUG "Y"H VS REC "X"H. STACK HEIGHT = Y + X - 5
- 5 FINISH: CONTACT AREA: 0.00038 MIN GOLD ON 0.0013 MIN ALL OVER NICKEL. SOLDERING AREA: 0.002 MIN MATTE TIN.
- 6 CONNECTOR WITH BLACK COLOR AND POLYIMIDE COVER
- 7 FINISH: CONTACT AREA: GOLD FLASH 0.0013 MIN ALL OVER NICKEL. SOLDERING AREA: 0.002 MIN MATTE TIN.

DETAIL B



DETAIL B

WINDING THE COVER TAPE AROUND THE OUTER PERIPHERY IN A TURN.



(R1)

STEEL COVER

FINISH	QTY	F	E	D	C	B	A	POS	PART NO.
GOLD FLASH - Sn				69.8	88	84.4	42.2	160	9 - -8
				53.8	72	68.4	34.2	120	9 - -5
	700	16		45.8	72	68.4	34.2	100	9 - -4
				37.8	56	52.4	26.2	80	9 - -3
15Au-Sn				29.8	44	40.4	20.2	60	9 - -2
				21.8	32	28.4	14.2	40	9 - -1
	1000	12	17	21.8	32	28.4	14.2	40	9 - -1
				85.8	104	100.4	50.2	200	2 - -0
08Au-Sn				77.8	104	100.4	50.2	180	1 - -9
				70.1	88	84.4	42.2	160	1 - -8
				61.8	88	84.4	42.2	140	1 - -6
				53.8	72	68.4	34.2	120	1 - -5
FINISH	700	16		45.8	72	68.4	34.2	100	1 - -4
				37.8	56	52.4	26.2	80	1 - -3
				29.8	44	40.4	20.2	60	1 - -2
	1000	12	17	21.8	32	28.4	14.2	40	1 - -1
			85.8	104	100.4	50.2	200	1 - -0	
			77.8	104	100.4	50.2	180	1 - -9	
			69.8	88	84.4	42.2	160	1 - -8	
			61.8	88	84.4	42.2	140	1 - -6	
			53.8	72	68.4	34.2	120	1 - -5	
			45.8	72	68.4	34.2	100	1 - -4	
			37.8	56	52.4	26.2	80	1 - -3	
			29.8	44	40.4	20.2	60	1 - -2	
			21.8	32	28.4	14.2	40	1 - -1	
									5177985-1

THIS DRAWING IS A CONTROLLED DOCUMENT. DWN SK LEAW 17MAY2004
 CHK ERIC TNG
 APVD SF LEONG
 PRODUCT SPEC 108-5390
 APPLICATION SPEC 114-5254
 MATERIAL - FINISH - WEIGHT 0

TE Connectivity
 RECEPTACLE ASSEMBLY 5H TYPE (0.5MM BOSS LENGTH) FOR 0.8FH ON TAPING

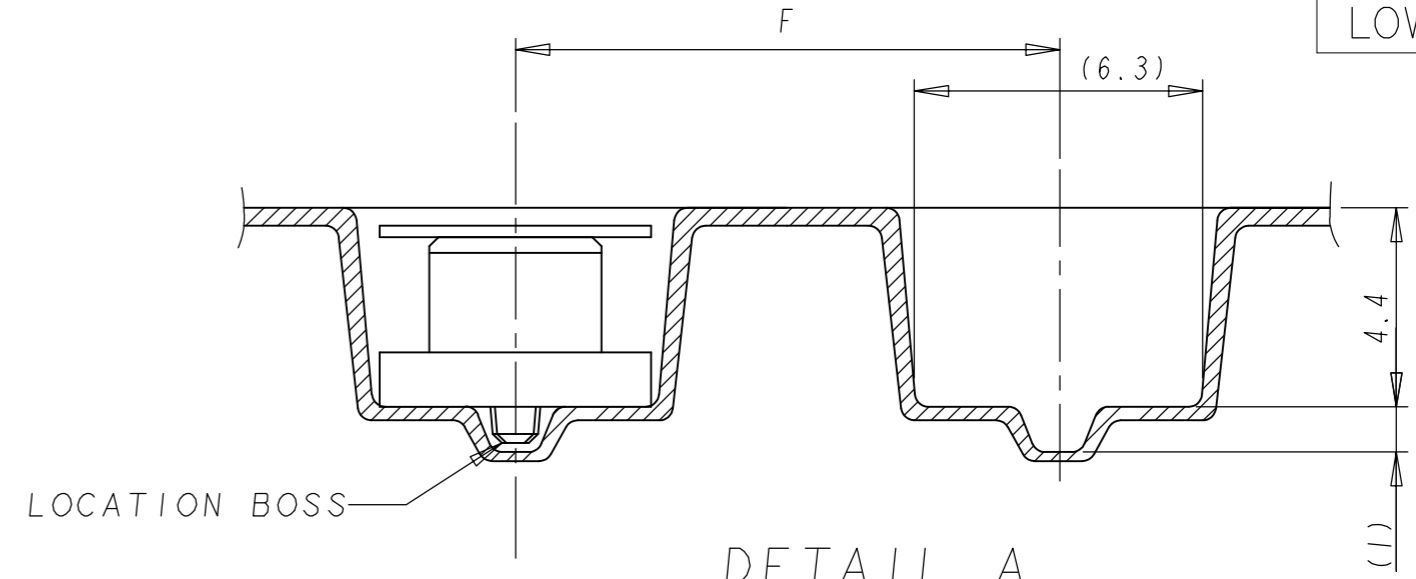
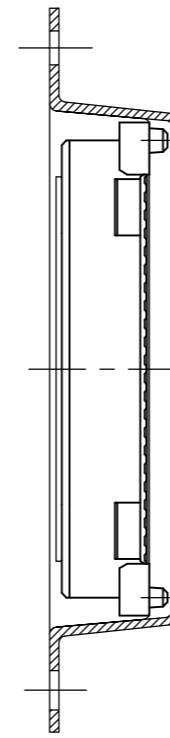
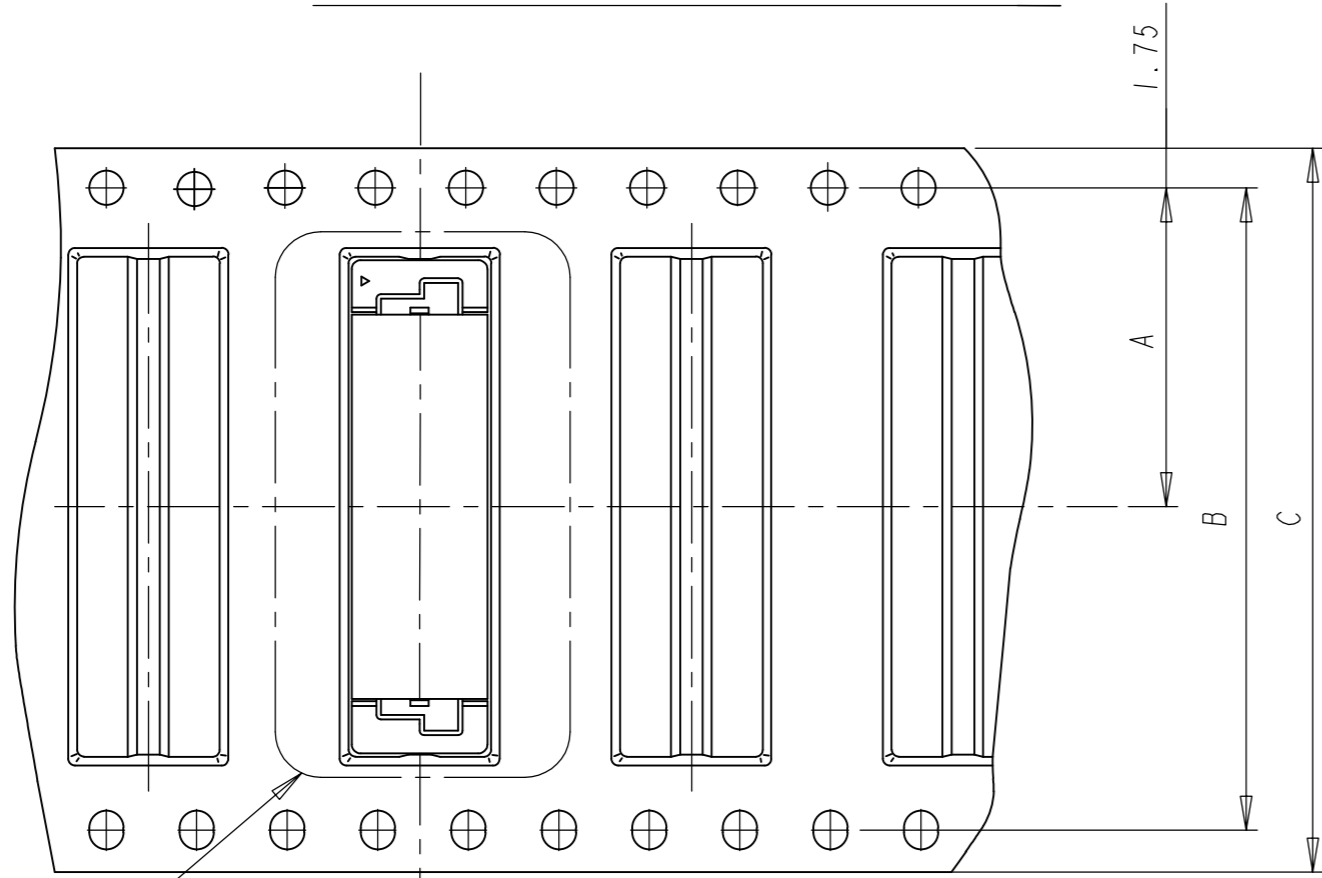
SIZE A2 CAGE CODE 00779 DRAWING NO C=5177985 RESTRICTED TO -
 SCALE 1:1 SHEET 1 OF 3 REV R1

THIS DRAWING IS UNPUBLISHED. RELEASED FOR PUBLICATION
 © COPYRIGHT - TE Connectivity ALL RIGHTS RESERVED.

REVISIONS				
P	LTR	DESCRIPTION	DATE	APVD
-	-	SEE SHEET 1	-	-

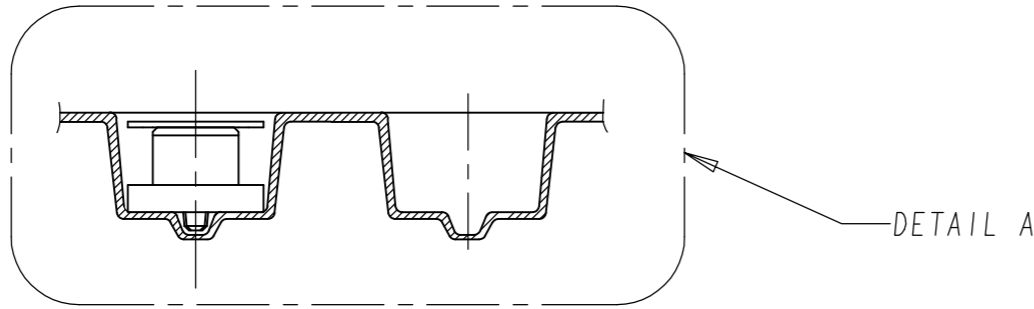
DIRECTION OFF TOP OF REEL

LOW HALOGEN

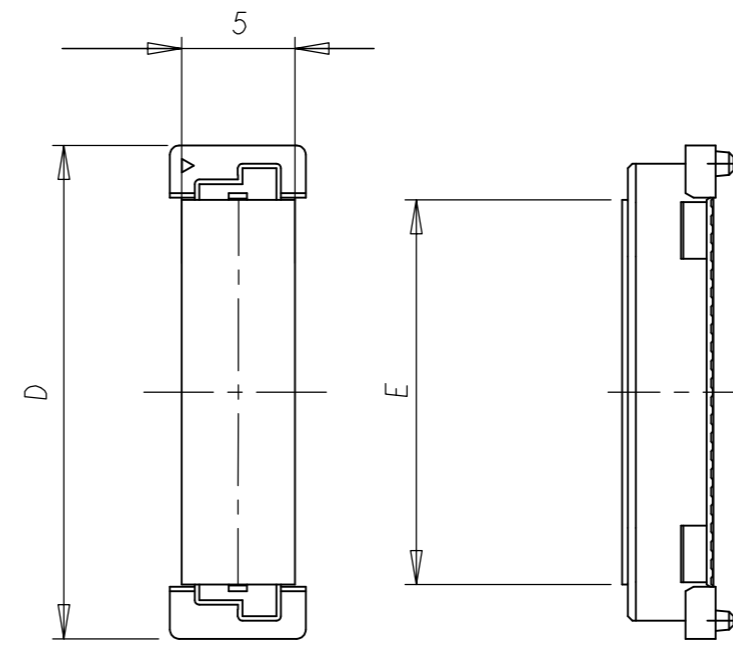


DETAIL A
(SCALE 4-1)

DETAIL B



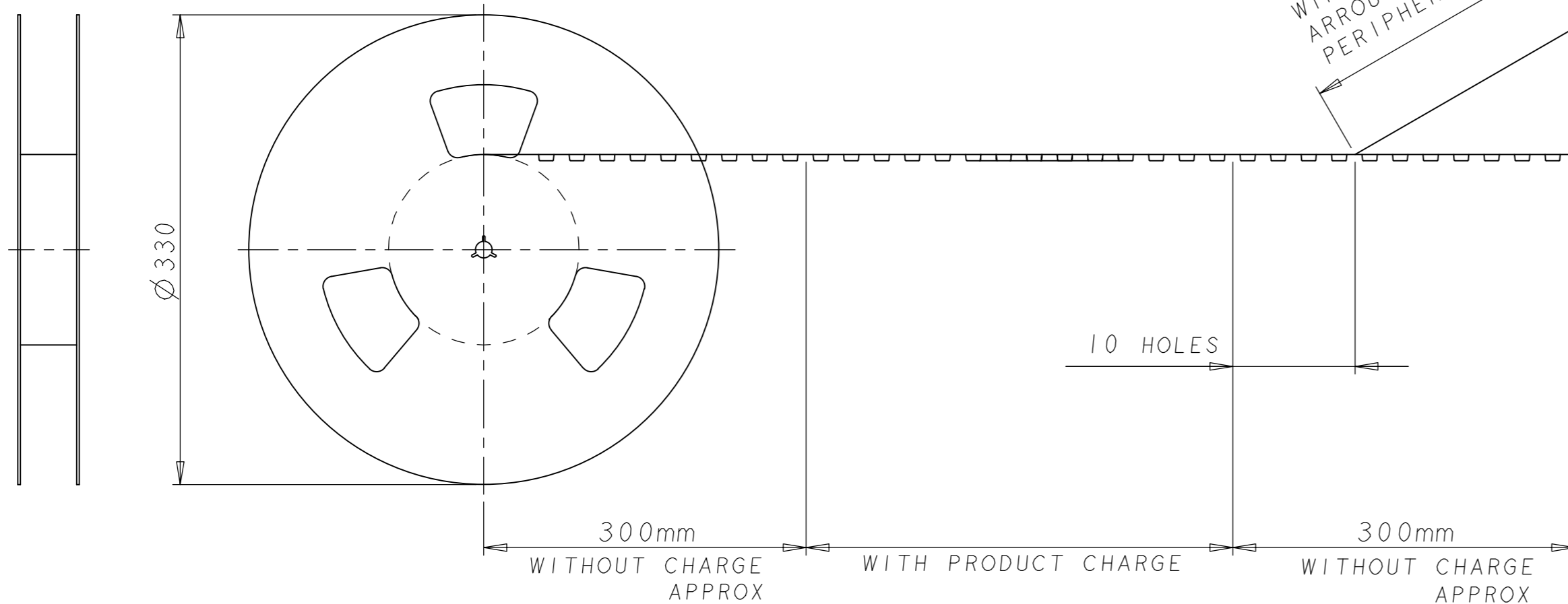
DETAIL A



DETAIL B

POLYIMIDE COVER

WINDING THE COVER TAPE
 AROUND THE OUTER
 PERIPHERY IN A TURN.



6	2	700	16	11	61.8	88	84.4	42.2	140	9-5177985-6
FINISH	QTY	F	E	D	C	B	A	POS	PART NO.	

THIS DRAWING IS A CONTROLLED DOCUMENT.		DWN SK LEAW 17MAY2004	STE TE Connectivity	
DIMENSIONS: mm		CHK ERIC TNG		
TOLERANCES UNLESS OTHERWISE SPECIFIED:		APVD SF LEONG	RECEPTACLE ASSEMBLY 5H TYPE (0.5MM BOSS LENGTH) FOR 0.8FH ON TAPING	
0 PLC ± -	1 PLC ± 0.3	PRODUCT SPEC 108-5390	SIZE A2	CAGE CODE 00779
2 PLC ± 0.25	3 PLC ± 0.2	APPLICATION SPEC 114-5254	DRAWING NO C-5177985	RESTRICTED TO -
4 PLC ± -	ANGLES ± -	MATERIAL -	WEIGHT -	SCALE 1:1
CUSTOMER DRAWING			SHEET 2 of 3	REV R1

