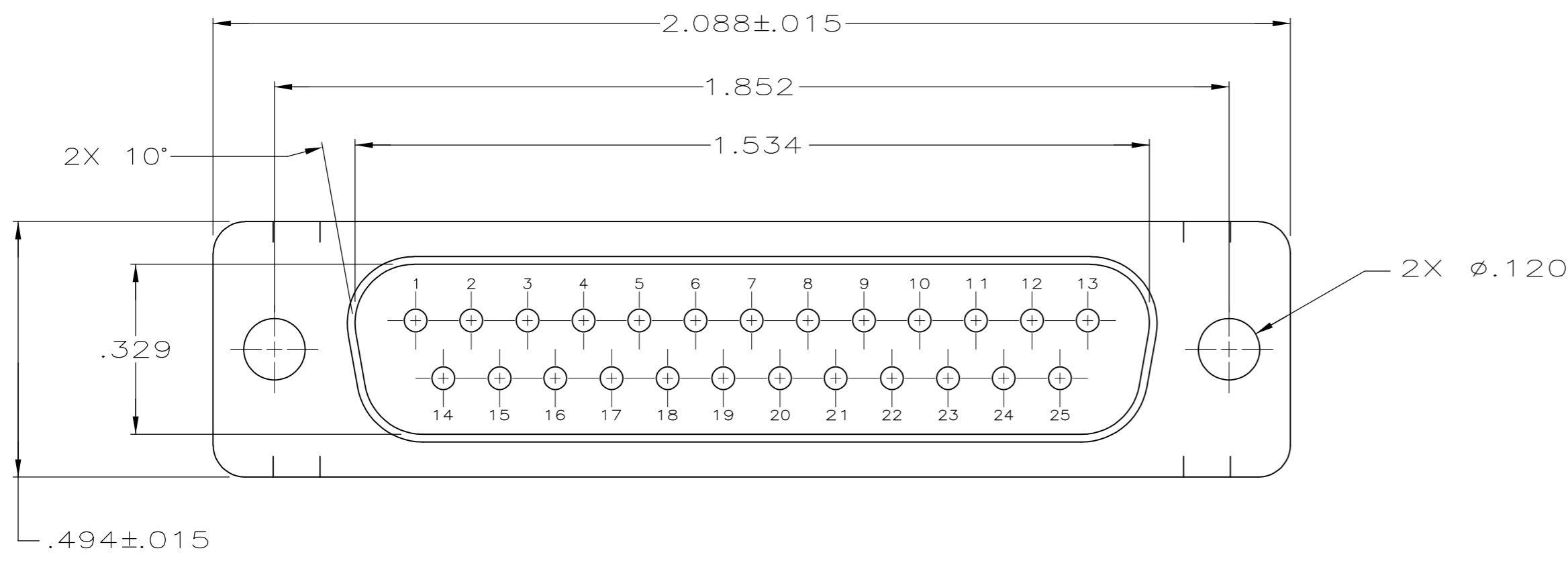
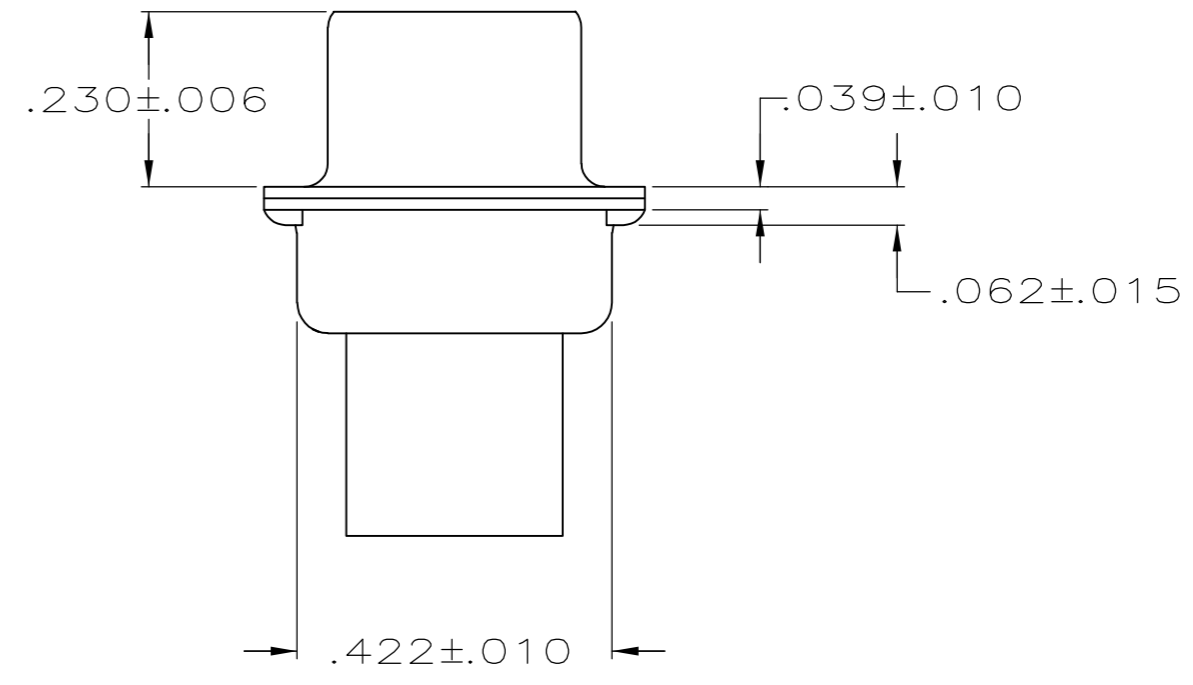
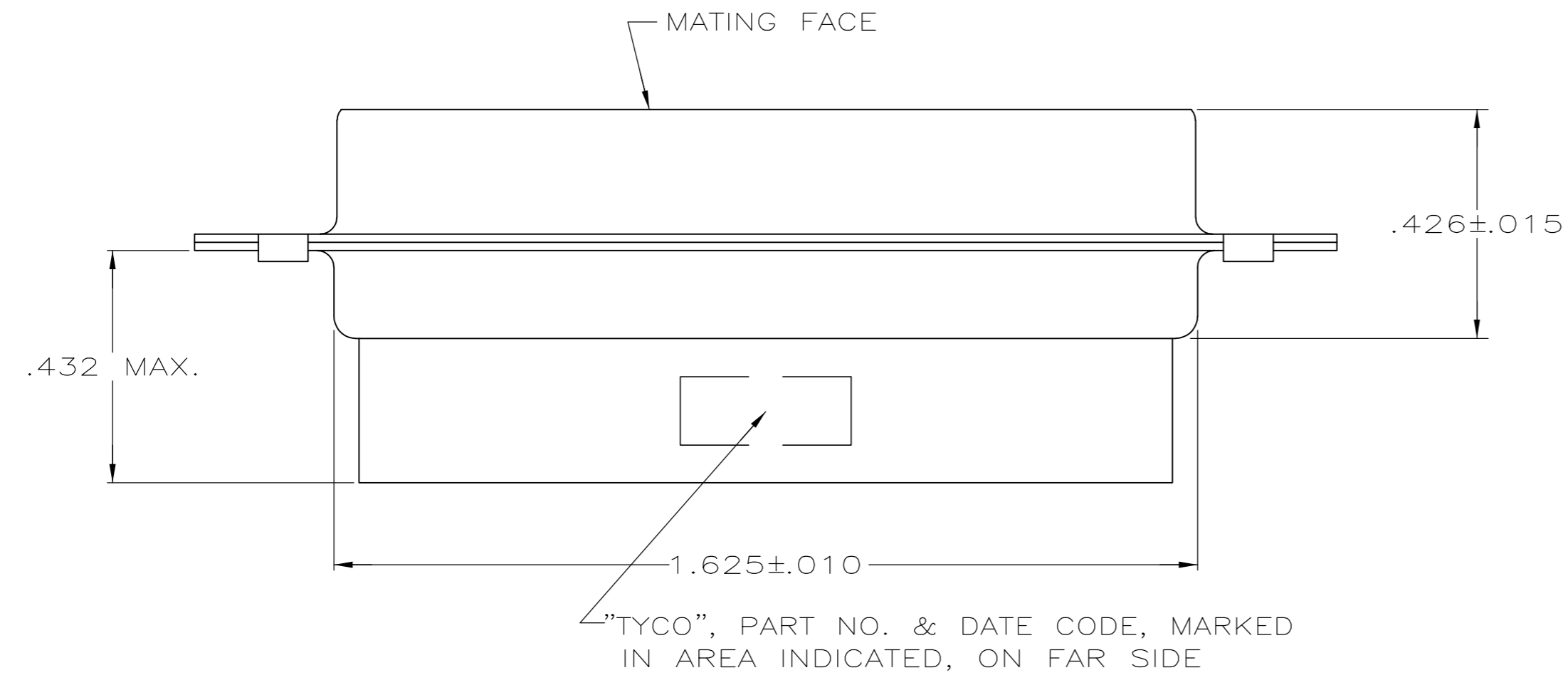


THIS DRAWING IS UNPUBLISHED. RELEASED FOR PUBLICATION  
 © COPYRIGHT - By - ALL RIGHTS RESERVED.

LOC		DIST		REVISIONS			
P	LTR	DESCRIPTION	DATE	DWN	APVD		
GP	00	B	REVISED PER ECO-14-011808	09AUG2014	AP	SB	



- CONNECTOR ACCEPTS SIZE 20 DF PIN CONTACTS, RETENTION TINES ARE AN INTEGRAL PART OF INSERT.
  - CONNECTOR COMPLIES WITH AMP SPEC. 108-40005 WHERE APPLICABLE.
- 3 MATERIAL:  
 MOLDED PARTS: GLASS-FILLED PBT OR GLASS-FILLED NYLON, UL94V-0 RATED. COLOR: BLACK  
 SHELLS: STEEL.
- 4 FINISH:  
 SHELLS: ZINC PLATED .000200-.000400 THICK, YELLOW CHROMATE COATING.



**COPYRIGHT 2005  
 TYCO ELECTRONICS CORP  
 ALL RIGHTS RESERVED**

STANDARD	5205208-1
PACKAGING TYPE	PART NUMBER

THIS DRAWING IS A CONTROLLED DOCUMENT.		DWN	B. MCMASTER	08SEP05		TE Connectivity		
DIMENSIONS: INCHES		CHK	C. ROHDE	08SEP05		NAME		
TOLERANCES UNLESS OTHERWISE SPECIFIED:		APVD	M. WALMSLEY	08SEP05		PLUG CONNECTOR, SIZE 3, 25 POS., AMPLIMITE HDP		
0 PLC ± -		PRODUCT SPEC	-			SIZE		
1 PLC ± -		APPLICATION SPEC	-			CAGE CODE	00779	
2 PLC ± -		WEIGHT	-			DRAWING NO	C=5205208	
3 PLC ± .005		CUSTOMER DRAWING	-			SCALE	NTS	
4 PLC ± -		SCALE	NTS			SHEET	1 of 1	
ANGLES ± 2°		REV	B					