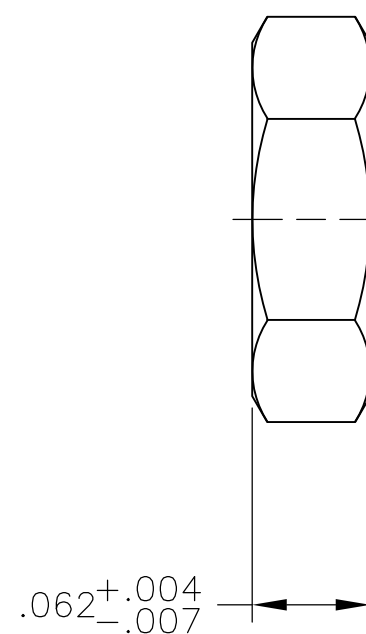
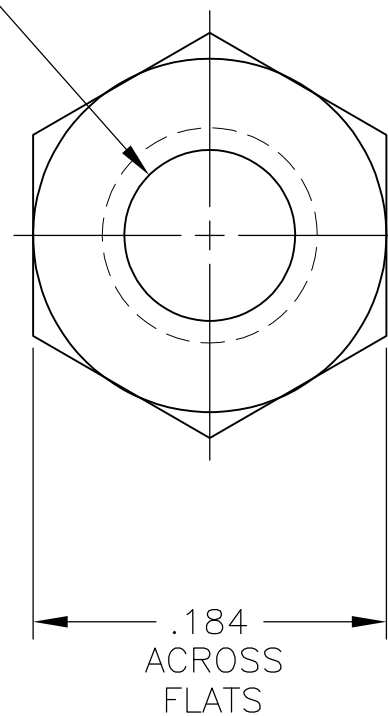


THIS DRAWING IS UNPUBLISHED. RELEASED FOR PUBLICATION
 © COPYRIGHT BY TYCO ELECTRONICS CORPORATION. ALL INTERNATIONAL RIGHTS RESERVED.

LOC	DIST	REVISIONS					
GP	00	P	LTR	DESCRIPTION	DATE	DWN	APVD
			0	ORIGINAL	12APR2012	CJV	CWR

- ① ZINC PLATED .000200-.000400 THICK, YELLOW CHROMATE COATING.
- ② ZINC PLATED .000200-.000400 THICK, CLEAR CHROMATE COATING.

#4-40 THREAD



②	5205821-3
①	5205821-2
FINISH	PART NUMBER

THIS DRAWING IS A CONTROLLED DOCUMENT.		DWN	C. VALENTINE	12APR2010	Tyco Electronics Corporation Harrisburg, PA 17105-3608		
DIMENSIONS: INCHES		CHK	C. ROHDE	12APR2012			
		TOLERANCES UNLESS OTHERWISE SPECIFIED:		APVD	C. ROHDE	12APR2012	#4-40 HEX NUT, AMPLIMITE - -
0 PLC ± - 1 PLC ± - 2 PLC ± - 3 PLC ± .005 4 PLC ± - ANGLES ± -		PRODUCT SPEC		APPLICATION SPEC			
MATERIAL		FINISH		WEIGHT		RESTRICTED TO	
COLD ROLLED STEEL		SEE TABLE		-		-	
CUSTOMER DRAWING				SIZE	CAGE CODE	DRAWING NO	SCALE
				A3	00779	C-5205821	10:1
				SHEET		REV	
				1 OF 1		0	